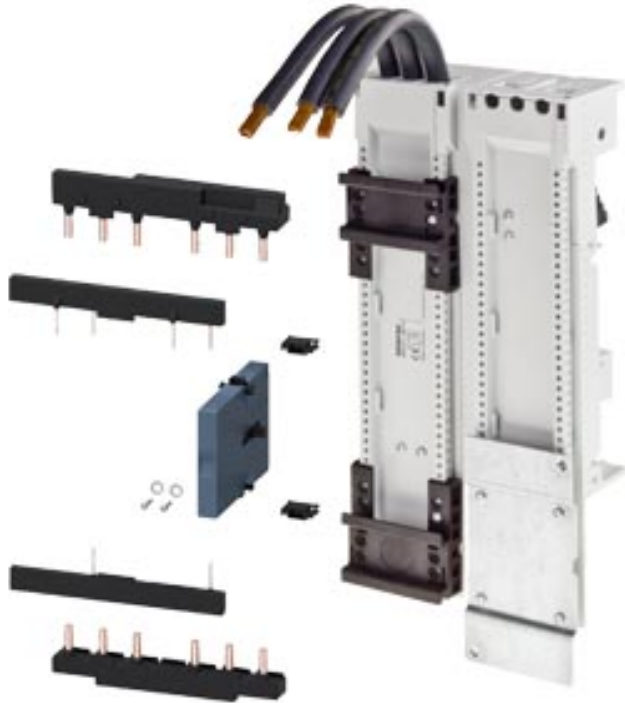


Wiring kit Electrical and mechanical complete for load feeders for reversing fuseless, Size S2 including mechanical connectors for 60 mm busbar systems with side modules







### General technical data

Product brand name		SIRIUS
Product designation		Wiring kit
Design of the product		actuating voltage contactor: AC and DC
Size of the circuit-breaker		S2
Size of contactor		S2

### Installation/ mounting/ dimensions

Mounting type		screw fixing
---------------	--	--------------

### Certificates/approvals

General Product Approval			Declaration of Conformity	Test Certificates
				<a href="#">Miscellaneous</a> <a href="#">Type Test Certificates/Test Report</a>

Test Certificates	Shipping Approval			other
<a href="#">Special Test Certificate</a>				
	ABS	BUREAU VERITAS	PRS	RINA
				<a href="#">Confirmation</a>

### Further information

**Information- and Downloadcenter (Catalogs, Brochures,...)**

<http://www.siemens.com/industrial-controls/catalogs>

**Industry Mall (Online ordering system)**

<https://mall.industry.siemens.com/mall/en/en/Catalog/product?mlfb=3RA2933-1DB1>

**Cax online generator**

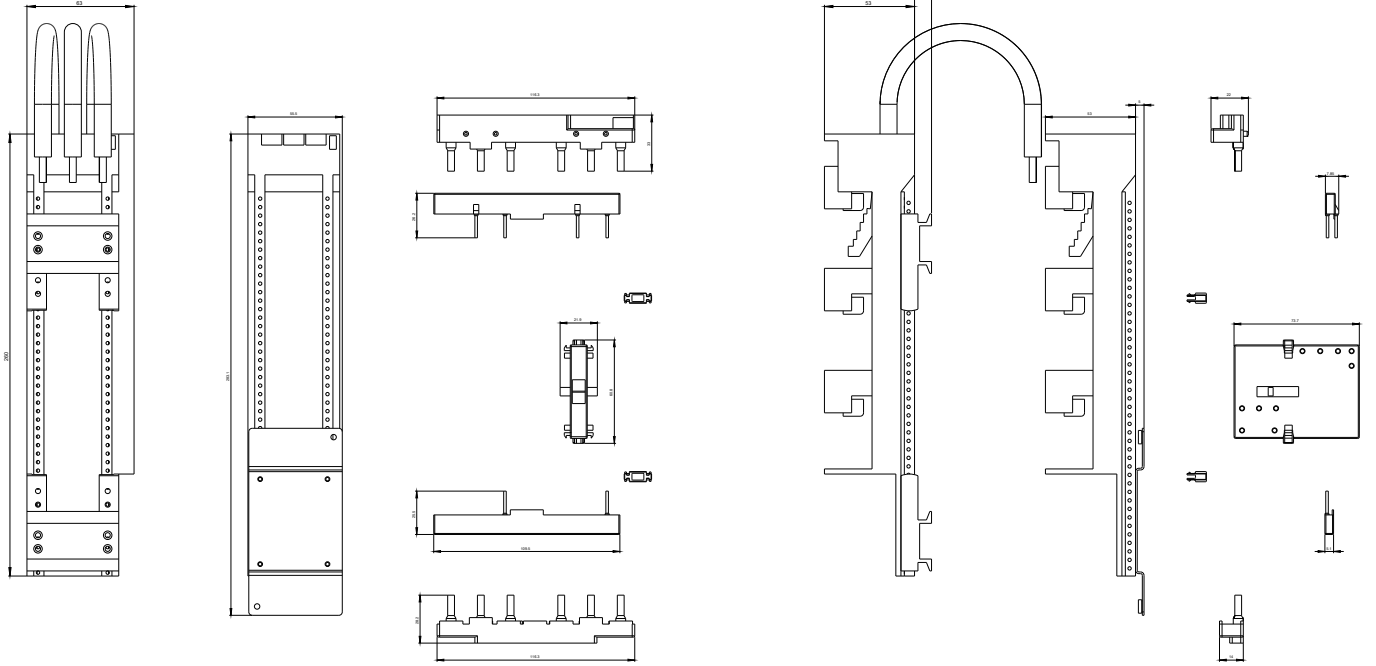
<http://support.automation.siemens.com/WW/CAXorder/default.aspx?lang=en&mlfb=3RA2933-1DB1>

**Service&Support (Manuals, Certificates, Characteristics, FAQs,...)**

<https://support.industry.siemens.com/cs/ww/en/ps/3RA2933-1DB1>

**Image database (product images, 2D dimension drawings, 3D models, device circuit diagrams, EPLAN macros, ...)**

[http://www.automation.siemens.com/bilddb/cax\\_de.aspx?mlfb=3RA2933-1DB1&lang=en](http://www.automation.siemens.com/bilddb/cax_de.aspx?mlfb=3RA2933-1DB1&lang=en)



last modified:

10/17/2019