

Basic switch without actuator head Plastic enclosure 50 mm wide
 ASIsafe integrated AS-i status: 1:F-IN1, 2: F-IN2 3:AS-i/FAULT Slow-
 action contacts 2 NC with M12 connector 4-pole Channel 1 to NC,
 Channel 2 to M12 socket on the right



Product brand name	SIRIUS
Product designation	Mechanical safety switches
Product type designation	3SF12
Manufacturer's article number	
<ul style="list-style-type: none"> • of the supplied basic switch 	3SF1244-1KC05-1BA2
Suitability for use safety switch	Yes

General technical data	
Product function	
<ul style="list-style-type: none"> • positive opening 	Yes
Insulation voltage	
<ul style="list-style-type: none"> • rated value 	30 V
Degree of pollution	class 3
Surge voltage resistance rated value	0.8 kV
Protection class IP	IP66/IP67
Shock resistance	
<ul style="list-style-type: none"> • acc. to IEC 60068-2-27 	30 g / 11 ms
Vibration resistance	
<ul style="list-style-type: none"> • acc. to IEC 60068-2-6 	0.35 mm/5g
Mechanical service life (switching cycles)	

• typical	15 000 000
Reference code acc. to DIN EN 81346-2	B
Reference code acc. to DIN EN 61346-2	B
Active principle	mechanical
Repeat accuracy	0.1 mm
Minimum actuating force in activation direction	20 N
Length of the sensor	60.7 mm
Width of the sensor	50 mm
Design of the switching contact	mechanical
Number of NC contacts for auxiliary contacts	2
Number of NO contacts for auxiliary contacts	0
Design of the interface for safety-related communication	ASIsafe via M12 plug, channel 2 looped through to M12 socket on the right

Enclosure	
Design of the housing	block, wide
Material of the enclosure	plastic
Design of the housing acc. to standard	No

Drive Head	
Design of the operating mechanism	Other, without, ASi_basic switch with plug
Design of the switching function	positive opening
Circuit principle	snap-action contacts
Number of switching contacts safety-related	1

Connections/ Terminals	
Type of electrical connection	M12 plug, fixed, 4-pole
Design of plug-in connection	M12 plug, 4-pole: Pin 1 = ASI+ , Pin 2 = not assigned, Pin 3= ASI- , Pin 4 = not assigned
AS interface slave profile	0.B.F
ID1 code	F (hex, variable 0...F)

Ambient conditions	
Ambient temperature	
• during operation	-25 ... +60 °C
• during storage	-40 ... +80 °C

Supply voltage	
Type of voltage of the supply voltage	
• of the optional LED indicator	DC
Supply voltage	
• of LED	24 V

Installation/ mounting/ dimensions	
Mounting position	any
Mounting type	screw fixing

Certificates/ approvals

General Product Approval	Functional Safety/Safety of Machinery	Declaration of Conformity	Test Certificates
--------------------------	---------------------------------------	---------------------------	-------------------



[Type Examination Certificate](#)



EG-Konf.

[Miscellaneous](#)

[Type Test Certificates/Test Report](#)

other

[Confirmation](#)

Further information

Information- and Downloadcenter (Catalogs, Brochures,...)

<https://www.siemens.com/ic10>

Industry Mall (Online ordering system)

<https://mall.industry.siemens.com/mall/en/en/Catalog/product?mlfb=3SF1244-1LC05-1BA2>

Cax online generator

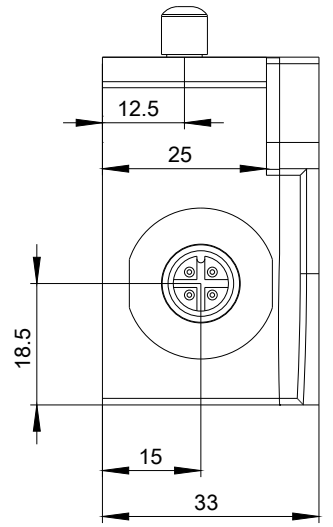
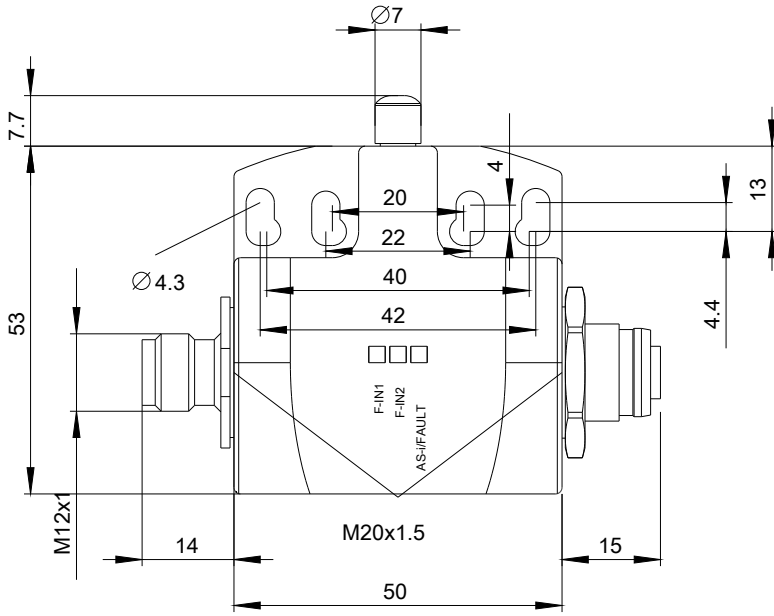
<http://support.automation.siemens.com/WW/CAXorder/default.aspx?lang=en&mlfb=3SF1244-1LC05-1BA2>

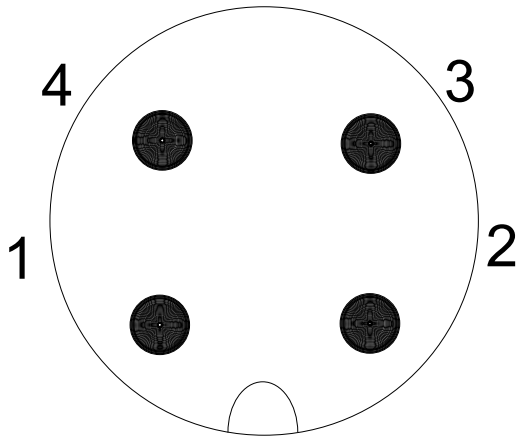
Service&Support (Manuals, Certificates, Characteristics, FAQs,...)

<https://support.industry.siemens.com/cs/ww/en/ps/3SF1244-1LC05-1BA2>

Image database (product images, 2D dimension drawings, 3D models, device circuit diagrams, EPLAN macros, ...)

http://www.automation.siemens.com/bilddb/cax_de.aspx?mlfb=3SF1244-1LC05-1BA2&lang=en





1	→	ASI +
2	→	n. c.
3	→	ASI -
4	→	n. c.

last modified:

03/10/2020