

30mm Command/52, Chrome Finish Heavy Duty, Watertight/Oiltight Complete Metal Unit Illuminated Indicator Light Transformer type, 480V AC LED Lamp, BA9s Glass Lens, White UL Listed, CSA Certified NEMA 1,3,3R,4,4X,12,13 & Automotive Standards

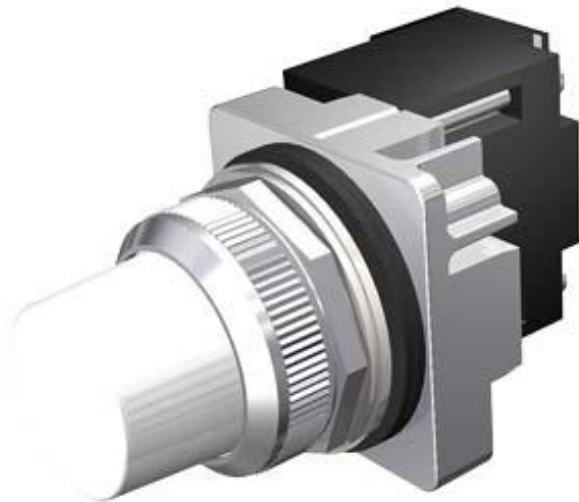


Figure similar

Product brand name	Siemens Pilot Devices
Design of the product	Complete Unit, Round
Enclosure	
Number of command points	1
Delivery state	No
• as a kit	
Actuator	
Design of the operating mechanism	Indicator Light
Product extension optional Light source	Yes
Color	
• of the actuating element	white
Material of the actuating element	glass
Shape of the actuating element	Concentric rings
Front ring	
Product component front ring	Yes
Design of the front ring	standard
Material of the front ring	metal

Color of the front ring	chrome
Holder	
Material of the holder	metal
Contact block/ lampholder	
socket type	BA 9s, with single LED lamp
Number of lampholders	1
Display	
Number of LED modules	1
General technical data	
Product component	
• lamp transformer	Yes
• Light source	Yes
Degree of pollution	1
Type of voltage	
• of the operating voltage	AC
• of the input voltage	AC
Surge voltage resistance rated value	4 kV
Protection class IP	IP66
• of the terminal	IP20
Vibration resistance	
• acc. to IEC 60068-2-6	0 ... 2000 Hz, 1.52 mm displacement (peak-to-peak) max./ 10g max.
Mechanical service life (switching cycles)	
• typical	50
Supply voltage	
Type of voltage of the supply voltage	
• of the light source	AC
Supply voltage of the light source at AC	
• at 60 Hz rated value	6 V
Inputs/ Outputs	
Output voltage 1 of the lamp transformer rated value	6 V
Connections/ Terminals	
Type of electrical connection	screw-type terminals
• of modules and accessories	screw-type terminals
Type of connectable conductor cross-sections	
• at AWG conductors for auxiliary contacts	1x (18 ... 12), 2x (18 ... 16), 2x (16 ... 14), 2x 12
Tightening torque of the screws in the bracket	20 N·m
Tightening torque [lbf·in]	
• with screw-type terminals	8 ... 8 lbf·in

Lamp	
Type of light source	Single LED
Color of the light source	white

Safety related data	
Protection against electrical shock	finger safe

Ambient conditions	
Ambient temperature	
<ul style="list-style-type: none"> during operation 	-35 ... +70 °C
<ul style="list-style-type: none"> during storage 	-40 ... +85 °C

Installation/ mounting/ dimensions	
Mounting type	
<ul style="list-style-type: none"> of modules and accessories 	screw-mounting
Shape of the installation opening	round

Certificates/ approvals

Further information

Information- and Downloadcenter (Catalogs, Brochures,...)

www.siemens.com/sirius/catalogs

Industry Mall (Online ordering system)

<https://mall.industry.siemens.com/mall/en/en/Catalog/product?mfb=US2:52PL5JBXB>

Cax online generator

<http://support.automation.siemens.com/WW/CAXorder/default.aspx?lang=en&mfb=US2:52PL5JBXB>

Service&Support (Manuals, Certificates, Characteristics, FAQs,...)

<https://support.industry.siemens.com/cs/ww/en/ps/US2:52PL5JBXB>

Image database (product images, 2D dimension drawings, 3D models, device circuit diagrams, EPLAN macros, ...)

http://www.automation.siemens.com/bilddb/cax_de.aspx?mfb=US2:52PL5JBXB&lang=en

last modified:

12/05/2019