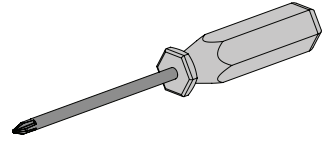
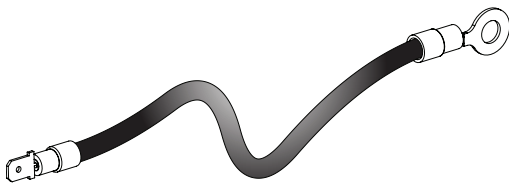
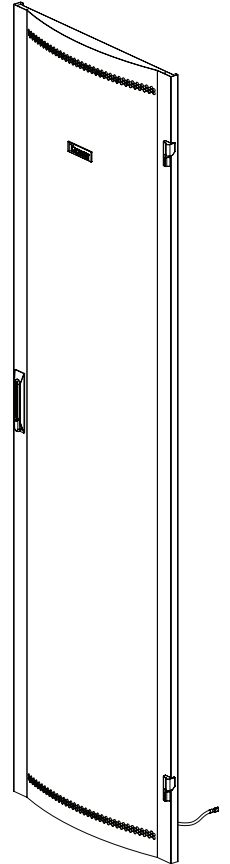


Tool List:

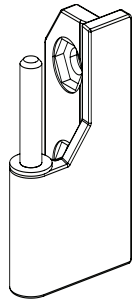
- T25 Torx driver
- Phillips Screwdriver



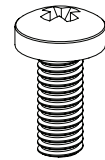
Cabinet Front Door
Qty: 1



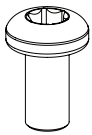
12AWG Male Ground Whip
Qty: 1



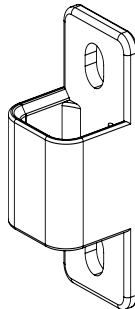
Male Door Hinge
(Top Hinge is longer)
Qty: 2



M6x1.0 x 15mm
Pan-Head Phillips Machine Screw
Qty: 4



M5x0.8 x 10mm
Pan Head Torx Screw
Qty: 5



Front Door Catch
Qty: 2

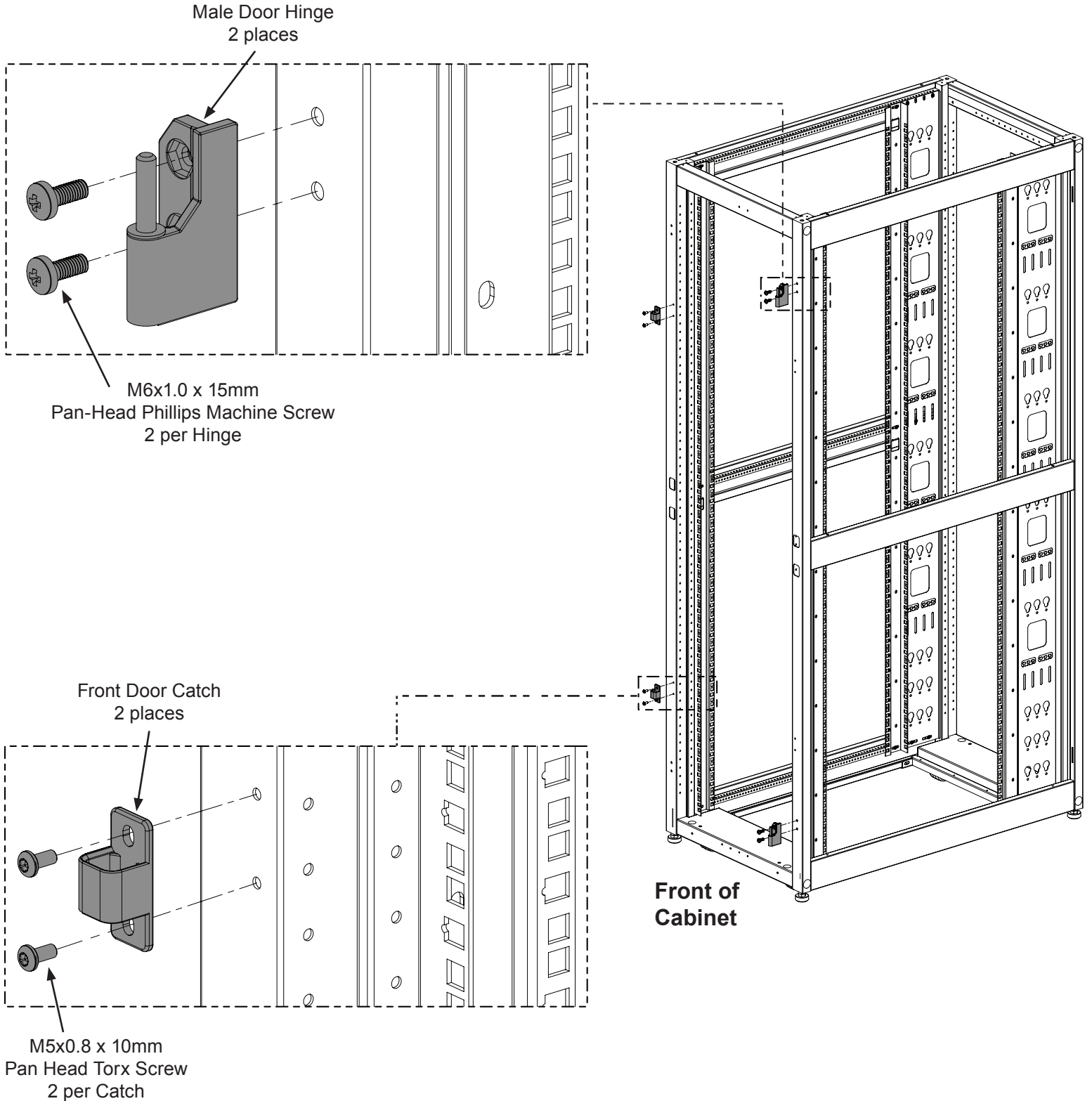


M6 Star Washer
Qty: 1

Install Male Door Hinges and Door Catches (If not already present)

- Install (2) Male Door Hinges to the side that the door will open towards.
- Install (2) Door Catches to the opposite side.

NOTE: The top Hinge Pins are longer than the bottom Hinge Pins. Verify the Hinge Pin lengths prior to installation.



 **DANGER**

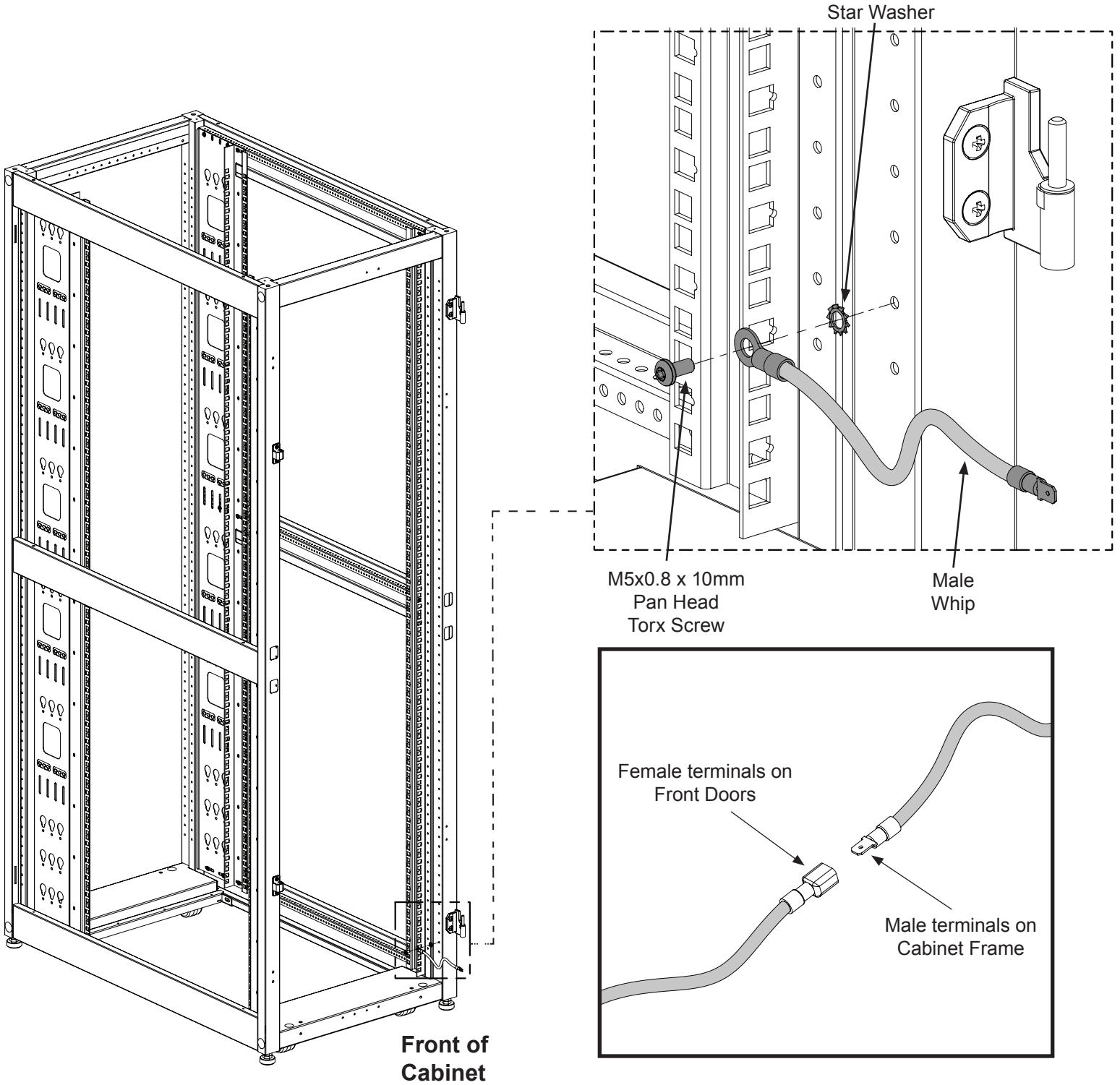
Electrical Shock Hazard

Each cabinet must be connected to the Common Bonding Network (CBN).

FAILURE TO FOLLOW THESE INSTRUCTIONS CAN LEAD TO SERIOUS INJURY, DEATH, OR DAMAGE TO YOUR EQUIPMENT.

Grounding

- If necessary, attach the provided Male Whip to the front of the Cabinet where shown.
- After installation of Front Door, connect the Male Whip from the Cabinet to the Female Whip on the Front Door.

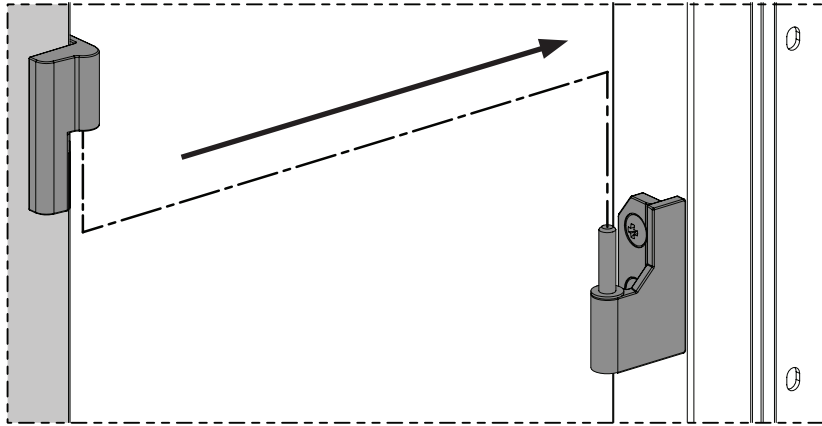


Install Front Door

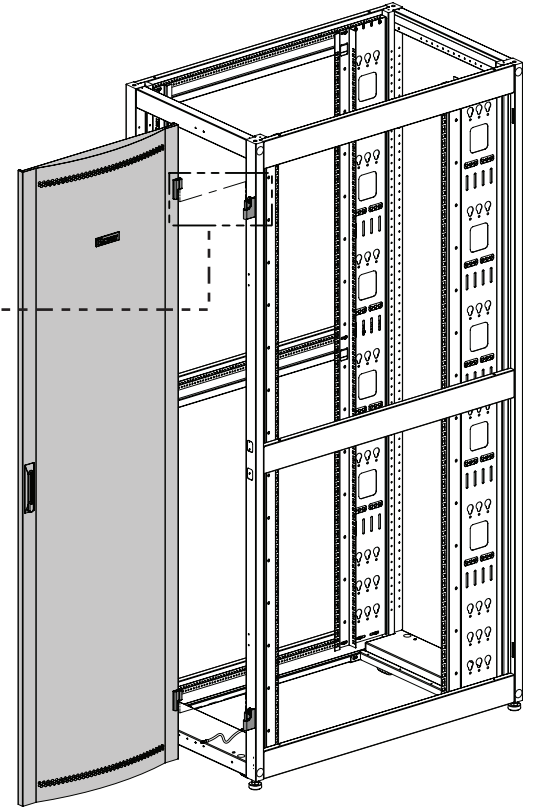
- Position Front Door approximately 90° to Cabinet frame.
- Place Front Doors female hinges onto the male hinges on the Cabinet frame.
- Attach grounding terminals (see page 3).
- **Reverse Steps** to remove Front Door.

Note: Top hinge pins are longer than bottom pins. Align Top pins first.

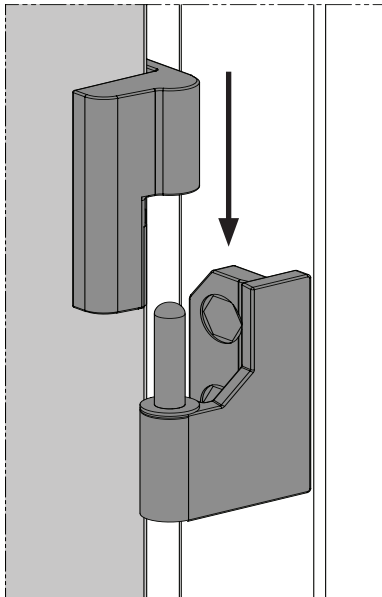
1



2 Places

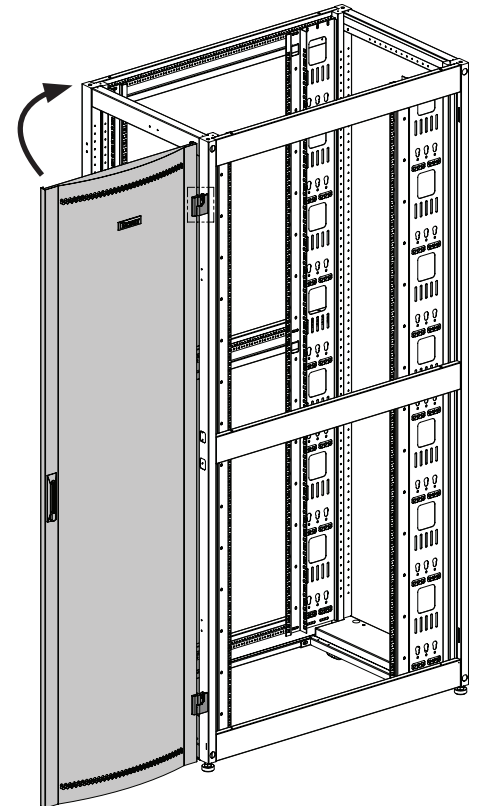
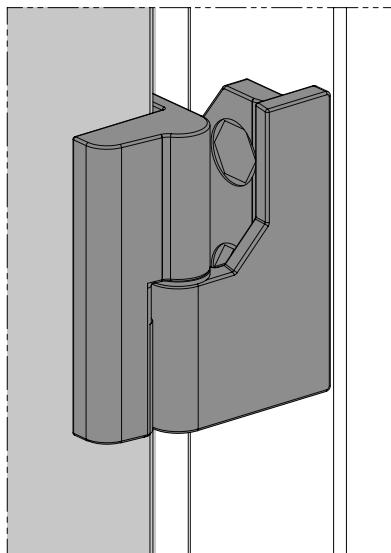


2



2 Places

3



For Technical Support: www.panduit.com/resources/install_maintain.asp