

Fork lever for position switch 3SE51 2 x lever made of stainless steel with one stainless steel roller 19 mm each for actuator head 3SE5000-0AT10



Product brand name	SIRIUS
Product designation	actuator for fork lever actuator
Product type designation	3SE5
Manufacturer's article number	
<ul style="list-style-type: none"> of the supplied operating lever 	3SE5000-0AT04

General technical data	
Product function	
<ul style="list-style-type: none"> positive opening 	Yes
Shock resistance	
<ul style="list-style-type: none"> acc. to IEC 60068-2-27 	30 g / 11 ms
Mechanical service life (switching cycles)	
<ul style="list-style-type: none"> typical 	1 000 000
Reference code acc. to DIN EN 81346-2	T
Reference code acc. to DIN EN 61346-2	T
Active principle	mechanical
Minimum actuating torque in activation direction	0.25 N·m

Enclosure	
Coating of the enclosure	Other types

Drive Head

Design of the operating mechanism	stainless steel lever, stainless steel rollers, 19 mm, one track
Shape of the switch head	roller
Outer diameter of the switch head	19 mm

Communication/ Protocol

Design of the interface	without
-------------------------	---------





Ambient conditions

Ambient temperature	
• during operation	-25 ... +85 °C
• during storage	-40 ... +90 °C
Explosion protection category for dust	none

Installation/ mounting/ dimensions

Mounting position	any
Mounting type	lockable plug-in fixing

Certificates/ approvals

General Product Approval	Declaration of Conformity	Test Certificates
 CSA	 UR	 EAC
 EG-Konf.	Miscellaneous	Type Test Certificates/Test Report

other

[Confirmation](#)

Further information

Information- and Downloadcenter (Catalogs, Brochures,...)

www.siemens.com/sirius/catalogs

Industry Mall (Online ordering system)

<https://mall.industry.siemens.com/mall/en/en/Catalog/product?mfb=3SE5000-0AT04>

Cax online generator

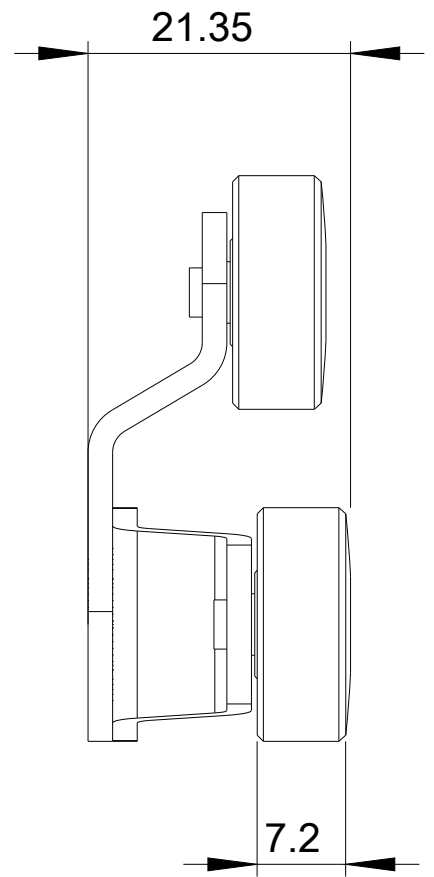
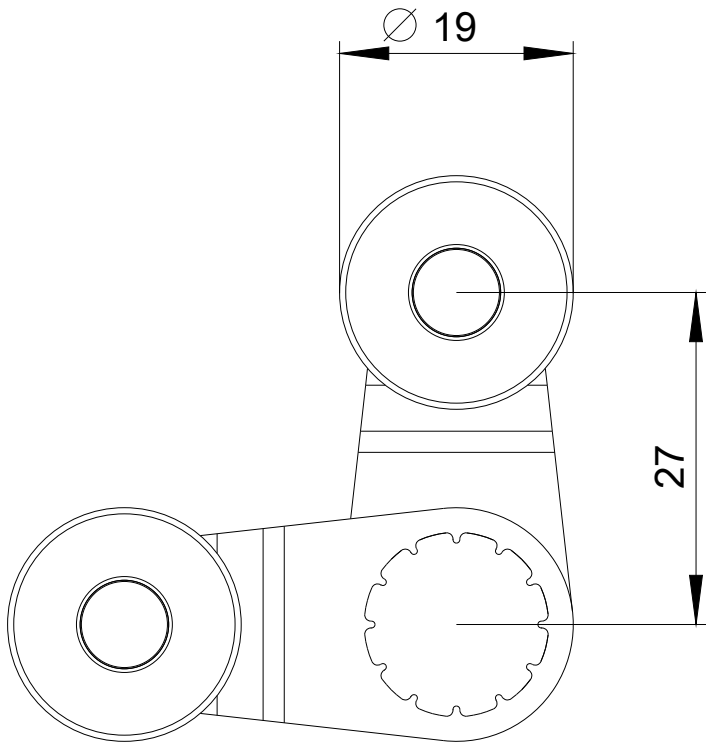
<http://support.automation.siemens.com/WW/CAXorder/default.aspx?lang=en&mfb=3SE5000-0AT04>

Service&Support (Manuals, Certificates, Characteristics, FAQs,...)

<https://support.industry.siemens.com/cs/ww/en/ps/3SE5000-0AT04>

Image database (product images, 2D dimension drawings, 3D models, device circuit diagrams, EPLAN macros, ...)

http://www.automation.siemens.com/bilddb/cax_de.aspx?mfb=3SE5000-0AT04&lang=en



last modified:

11/13/2019