





22MM METAL ROUND ACTUATOR: MUSHR.PUSHBUTTON 30MM
MOMENTARY CONTACT TYPE WITH HOLDER RED



Design of the product	Single device round
Enclosure	
Number of command points	1
Actuator	
Design of the operating mechanism	mushromm pushbutton
Manner of function of the actuating element	Momentary contact type
Product extension optional Light source	No
Color	
• of the actuating element	Red
Material of the actuating element	plastic
Outer diameter of the actuating element	30 mm
Type of unlocking device	without
Number of switching positions	2
Front ring	
Product component front ring	Yes
Design of the front ring	Standard
Material of the front ring	metal
Color of the front ring	silver

Holder	
Material of the holder	Metal
General technical data	
Product function	
• EMERGENCY OFF function	No
• EMERGENCY STOP function	No
Protection class IP	IP67
Vibration resistance	
• acc. to IEC 60068-2-6	20 ... 200 Hz: 5g
Operating frequency maximum	1 000 1/h
Mechanical service life (switching cycles)	
• typical	10 000 000
Equipment marking	
• acc. to DIN 40719 extended according to IEC 204-2 acc. to IEC 750	S
• acc. to DIN EN 61346-2	S
• acc. to DIN EN 81346-2	S
Connections/Terminals	
Tightening torque of the screws in the bracket	1.4 ... 1.6 N·m
Ambient conditions	
Ambient temperature	
• during operation	-25 ... +70 °C
• during storage	-40 ... +80 °C
Environmental category during operation acc. to IEC 60721	3K6
Installation/ mounting/ dimensions	
Mounting type	front mounting
Shape of the installation opening	round
Mounting diameter	22 mm
Mounting height	27.5 mm
Installation width	30 mm
Installation depth	29 mm
Certificates/approvals	

General Product Approval			Declaration of Conformity	Test Certificates	Shipping Approval
 CSA	 UL		 EG-Konf.	spezielle Prüfbescheinigungen n	 ABS

Shipping Approval				other	
 DNV	 LRS	 PRS	 RINA	Bestätigungen	sonstig

other
Umweltbestätigung

Further information

Information- and Downloadcenter (Catalogs, Brochures,...)

<http://www.siemens.com/industrial-controls/catalogs>

Industry Mall (Online ordering system)

<https://mall.industry.siemens.com/mall/en/en/Catalog/product?mlfb=3SB3500-1DA21>

Cax online generator

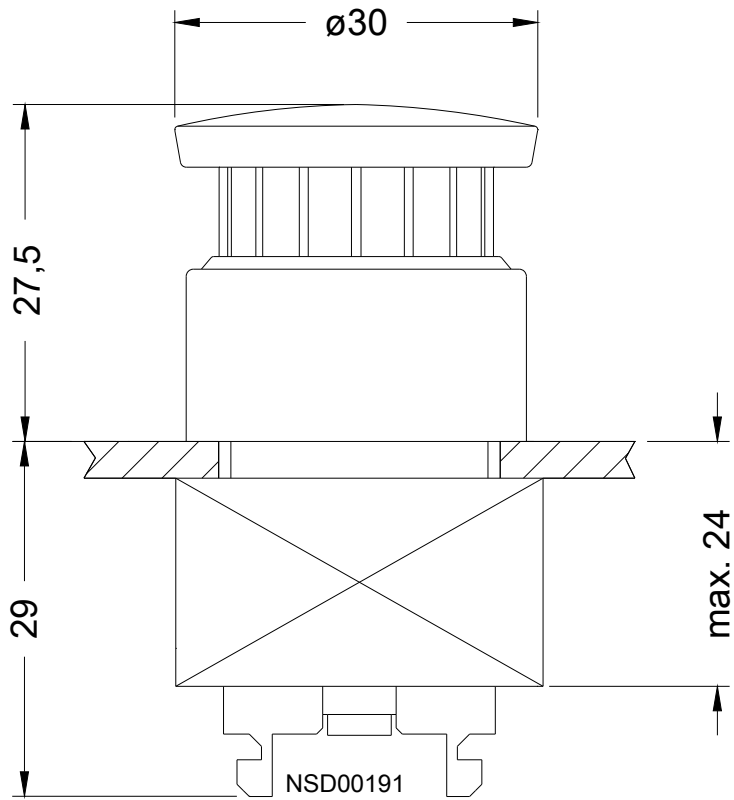
<http://support.automation.siemens.com/WW/CAXorder/default.aspx?lang=en&mlfb=3SB3500-1DA21>

Service&Support (Manuals, Certificates, Characteristics, FAQs,...)

<https://support.industry.siemens.com/cs/ww/en/ps/3SB3500-1DA21>

Image database (product images, 2D dimension drawings, 3D models, device circuit diagrams, EPLAN macros, ...)

http://www.automation.siemens.com/bilddb/cax_de.aspx?mlfb=3SB3500-1DA21&lang=en



last modified:

12/21/2016