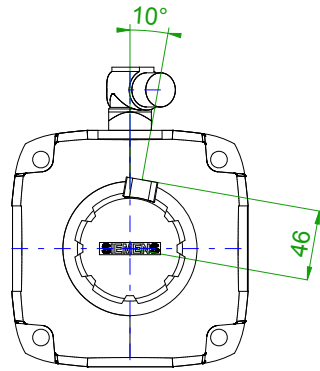
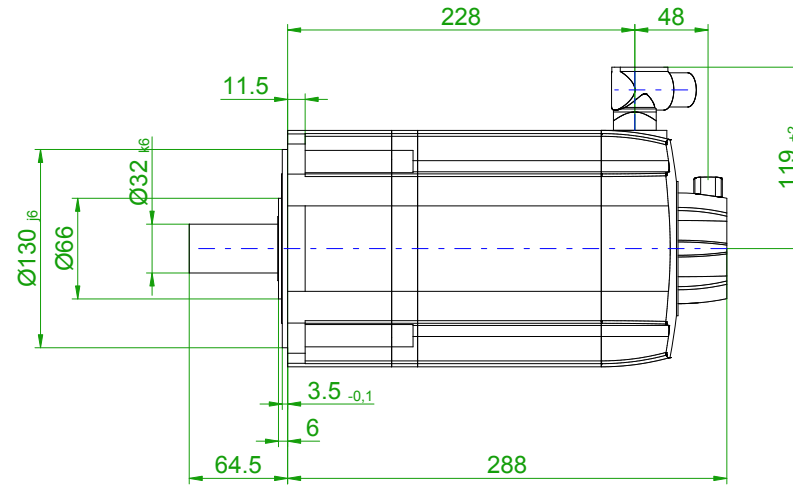
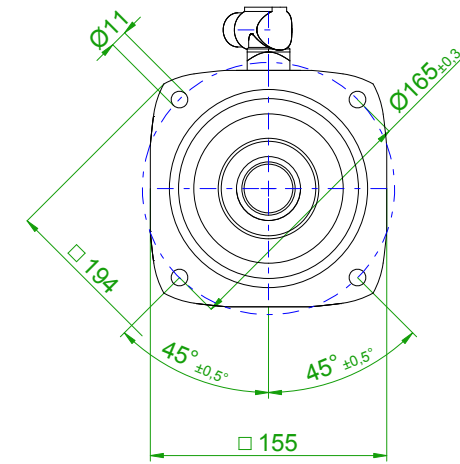


back view



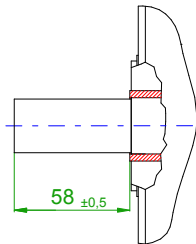
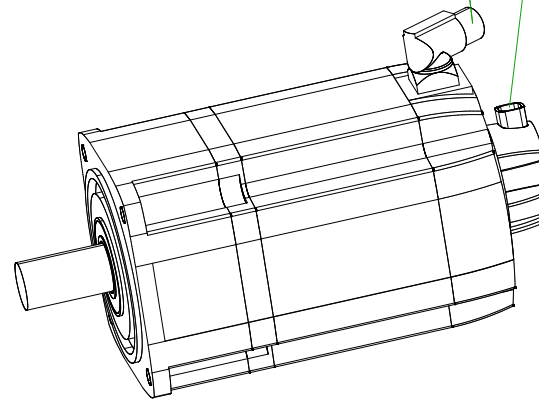
front view

center hole
DIN 332-DR M12

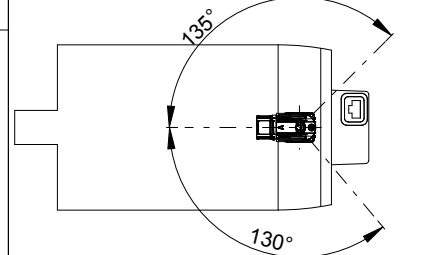


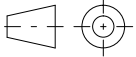
6-pole plug size 1
for power and brake

10-pole
signal plug



rotating angle of the plug



| | | | |
|---|--|---|--------------------|
|  | | SIEMENS | |
| Einheit / unit: mm | | Synchron-Servomotor Synchronous Servo Motor: | 1FT7084-1AF70-1CH1 |
| nicht tolerierte Maße / not toleranced dimensions: | | Optionen / options: | |
| ±1 | | Gewicht / mass: | 25.1 kg |
| Maßstab / scale: ohne / without | | Bemerkung / notice: | |
| CAD CREATOR 2.2 (WWW-Version V02.20.00.00) | | Druckdatum / print date: | 18.09.2018 |