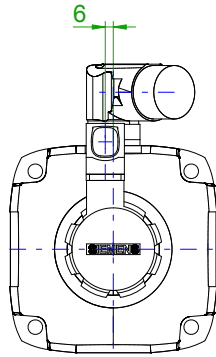
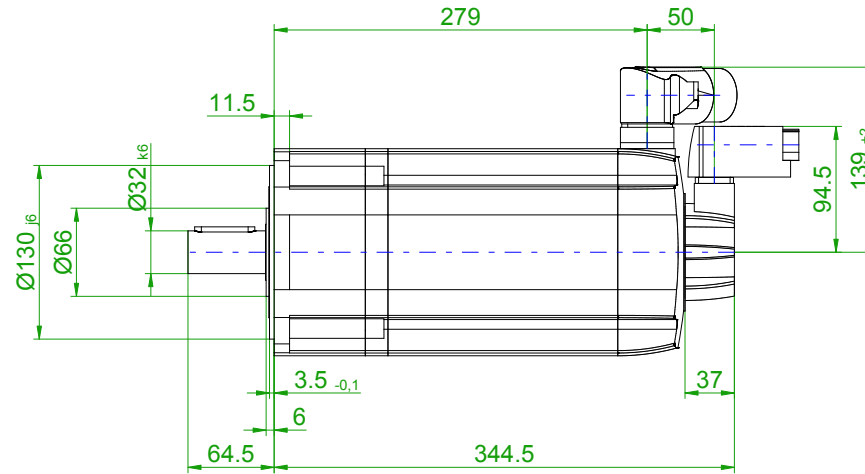
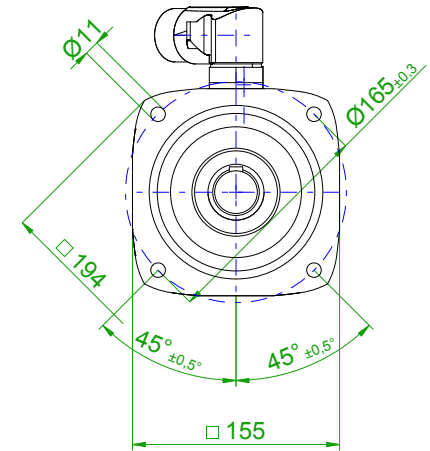


back view

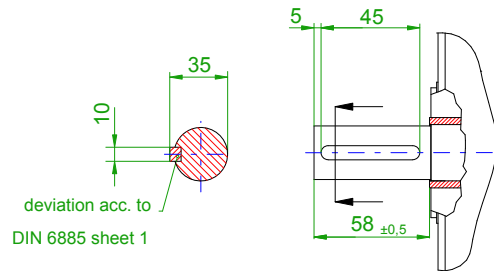


front view

center hole
DIN 332-DR M12

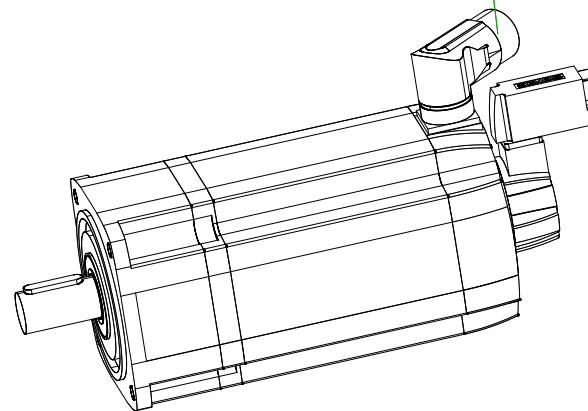


version with featherkey

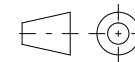
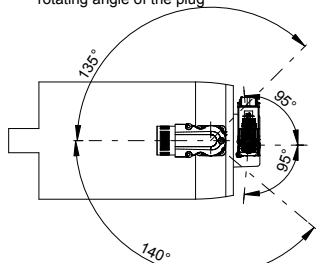


6-pole plug size 1.5
for power and brake

10-pole
signal plug



rotating angle of the plug



SIEMENS

Einheit / unit: mm

Synchron-Servomotor
Synchronous Servo Motor:

1FT7086-5AF70-1DB3

nicht tolerierte Maße /
not toleranced dimensions: ±1

Optionen / options:

Gewicht / mass:

31.8 kg

Maßstab / scale: ohne / without

Bemerkung / notice:

CAD CREATOR 2.2 (WWW-Version V02.20.00.00)

Druckdatum / print date: 27.07.2019