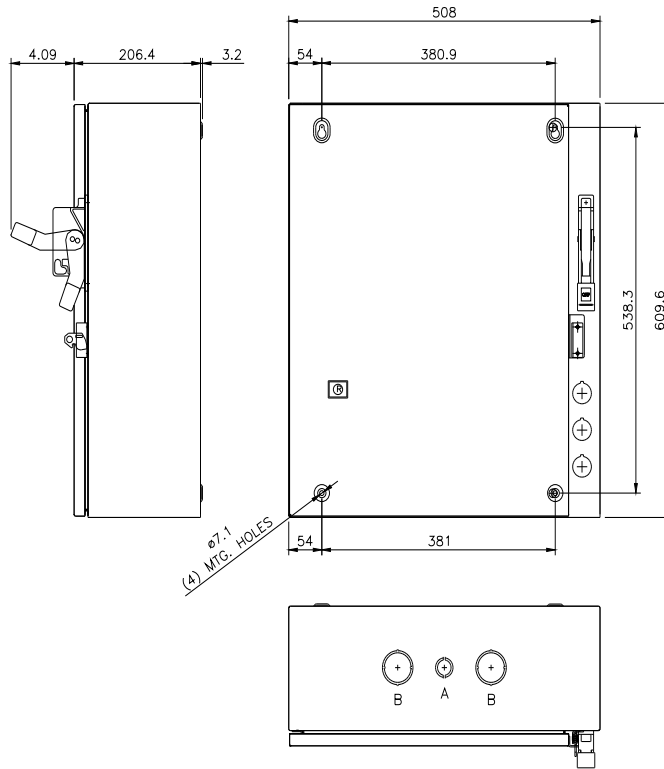




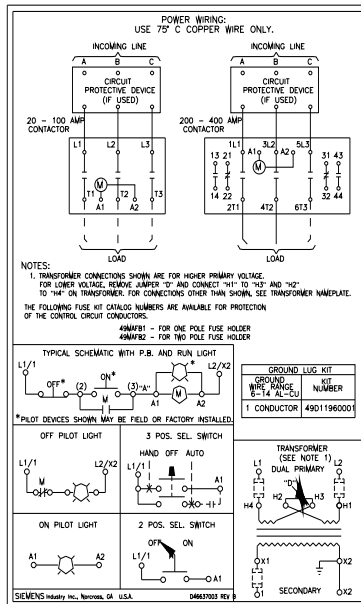
Electrically held lighting contactor, Contactor amp rating 100A, 0 N.C. / 3 N.O. Poles, 277VAC 60HZ coil, 1 NO / 1 NC auxiliary contacts Combination type, 100A/600V fusible disconnect, Enclosure NEMA type 1, Indoor general purpose use

| | |
|---|---|
| product brand name | Class LE |
| design of the product | Electrically held lighting contactor with fusible disconnect switch |
| special product feature | Compact design; Finger safe control terminals |
| General technical data | |
| weight [lb] | 59 lb(av) |
| Height x Width x Depth [in] | 24 × 20 × 8 in |
| touch protection against electrical shock | NA for enclosed products |
| installation altitude [ft] at height above sea level maximum | 6560 ft |
| ambient temperature [°F] | |
| • during storage | -67 ... +176 °F |
| • during operation | 32 ... 104 °F |
| ambient temperature | |
| • during storage | -55 ... +80 °C |
| • during operation | 0 ... 40 °C |
| country of origin | USA |
| Contactors | |
| size of contactor | 100 Amp |
| number of NO contacts for main contacts | 3 |
| number of NC contacts for main contacts | 0 |
| operating voltage for main current circuit at AC at 60 Hz maximum | 600 V |
| mechanical service life (operating cycles) of the main contacts typical | 10000000 |
| contact rating of the main contacts of lighting contactor | |
| • with electronic ballast [LED driver] (1 pole per 1 phase) rated value | 16A @120V / 8A @277V 1p 1ph |
| • at tungsten (1 pole per 1 phase) rated value | 100A @277V 1p 1ph |
| • at tungsten (2 poles per 1 phase) rated value | 100A @480V 2p 1ph |
| • at tungsten (3 poles per 3 phases) rated value | 100A @480V 3p 3ph |
| • at ballast (1 pole per 1 phase) rated value | 100A @347V 1p 1ph |
| • at ballast (2 poles per 1 phase) rated value | 100A @600V 2p 1ph |
| • at ballast (3 poles per 3 phases) rated value | 100A @600V 3p 3ph |
| • at resistive load (1 pole per 1 phase) rated value | 100A @347V 1p 1ph |
| • at resistive load (2 poles per 1 phase) rated value | 100A @600V 2p 1ph |
| • at resistive load (3 poles per 3 phases) rated value | 100A @600V 3p 3ph |
| Auxiliary contact | |
| number of NC contacts at contactor for auxiliary contacts | 1 |
| number of NO contacts at contactor for auxiliary contacts | 1 |
| number of total auxiliary contacts maximum | 14 |
| contact rating of auxiliary contacts of contactor according to UL | A600 / P600 |
| Coil | |

| | |
|---|--|
| type of voltage of the control supply voltage | AC |
| control supply voltage | |
| • at DC rated value | 0 ... 0 V |
| • at AC at 50 Hz rated value | 0 ... 0 V |
| • at AC at 60 Hz rated value | 277 ... 277 V |
| apparent pick-up power of magnet coil at AC | 326 VA |
| apparent holding power of magnet coil at AC | 22 VA |
| operating range factor control supply voltage rated value of magnet coil | 0.85 ... 1.1 |
| ON-delay time | 13 ... 50 ms |
| OFF-delay time | 10 ... 21 ms |
| Disconnect Switch | |
| response value of switch disconnecter | 100A / 600V |
| design of fuse holder | Class R fuse clips |
| operating class of the fuse link | Class R |
| Enclosure | |
| degree of protection NEMA rating of the enclosure | NEMA 1 enclosure |
| design of the housing | indoors, usable on a general basis |
| Mounting/wiring | |
| mounting position | Vertical |
| fastening method | Surface mounting and installation |
| type of electrical connection for supply voltage line-side | Box lug |
| tightening torque [lbf-in] for supply | 120 ... 120 lbf-in |
| type of connectable conductor cross-sections at line-side for AWG cables single or multi-stranded | 1x (14 ... 1/0 AWG) |
| temperature of the conductor for supply maximum permissible | 75 °C |
| material of the conductor for supply | CU |
| type of electrical connection for load-side outgoing feeder | Screw-type terminals |
| tightening torque [lbf-in] for load-side outgoing feeder | 36 ... 53 lbf-in |
| type of connectable conductor cross-sections for AWG cables for load-side outgoing feeder single or multi-stranded | 2x (10 ... 1/0 AWG), 1x (10 ... 2 AWG) |
| temperature of the conductor for load-side outgoing feeder maximum permissible | 75 °C |
| material of the conductor for load-side outgoing feeder | CU |
| type of electrical connection of magnet coil | Screw-type terminals |
| tightening torque [lbf-in] at magnet coil | 7 ... 10 lbf-in |
| type of connectable conductor cross-sections of magnet coil for AWG cables single or multi-stranded | 2x (20 ... 16 AWG), 2x (18 ... 14 AWG) |
| temperature of the conductor at magnet coil maximum permissible | 75 °C |
| material of the conductor at magnet coil | CU |
| type of electrical connection at contactor for auxiliary contacts | Screw-type terminals |
| tightening torque [lbf-in] at contactor for auxiliary contacts | 7 ... 10 lbf-in |
| type of connectable conductor cross-sections at contactor for AWG cables for auxiliary contacts single or multi-stranded | 2x (20 ... 16 AWG), 2x (18 ... 14 AWG) |
| temperature of the conductor at contactor for auxiliary contacts maximum permissible | 75 °C |
| material of the conductor at contactor for auxiliary contacts | CU |
| Short-circuit current rating | |
| design of the fuse link for short-circuit protection of the main circuit required | 100kA@600V (Class J) |
| certificate of suitability | NEMA ICS 2; UL 508 |
| Further information | |
| Industrial Controls - Product Overview (Catalogs, Brochures,...) | |
| www.usa.siemens.com/iccatalog | |
| Industry Mall (Online ordering system) | |
| https://mall.industry.siemens.com/mall/en/us/Catalog/product?mlfb=US2:LEFF1E003277C | |
| Service&Support (Manuals, Certificates, Characteristics, FAQs,...) | |
| https://support.industry.siemens.com/cs/US/en/ps/US2:LEFF1E003277C | |
| Image database (product images, 2D dimension drawings, 3D models, device circuit diagrams, EPLAN macros, ...) | |
| http://www.automation.siemens.com/bilddb/cax_de.aspx?mlfb=US2:LEFF1E003277C&lang=en | |
| Certificates/approvals | |
| https://support.industry.siemens.com/cs/US/en/ps/US2:LEFF1E003277C/certificate | |



| LETTER | CONDUIT SIZE |
|--------|-----------------------|
| A | ø12.7 & ø19 CONDUIT |
| B | ø31.8 & ø38.1 CONDUIT |



D46637003

last modified:

7/12/2023

