



Terminal cover short 3 pole; 1 pcs. accessory for: 3VA55/3VA65/3VA66



Model	
product brand name	SETRON
product designation	accessories

**Further information**

**Information- and Downloadcenter (Catalogs, Brochures,...)**

<http://www.siemens.com/lowvoltage/catalogs>

**Industry Mall (Online ordering system)**

<https://mall.industry.siemens.com/mall/en/en/Catalog/product?mlfb=3VA9671-0WD30>

**Service&Support (Manuals, Certificates, Characteristics, FAQs,...)**

<https://support.industry.siemens.com/cs/ww/en/ps/3VA9671-0WD30>

**Image database (product images, 2D dimension drawings, 3D models, device circuit diagrams, ...)**

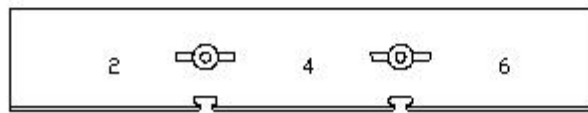
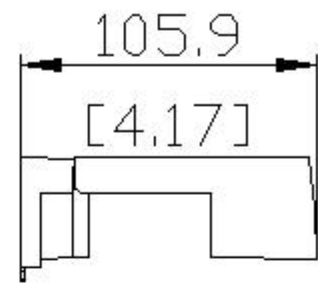
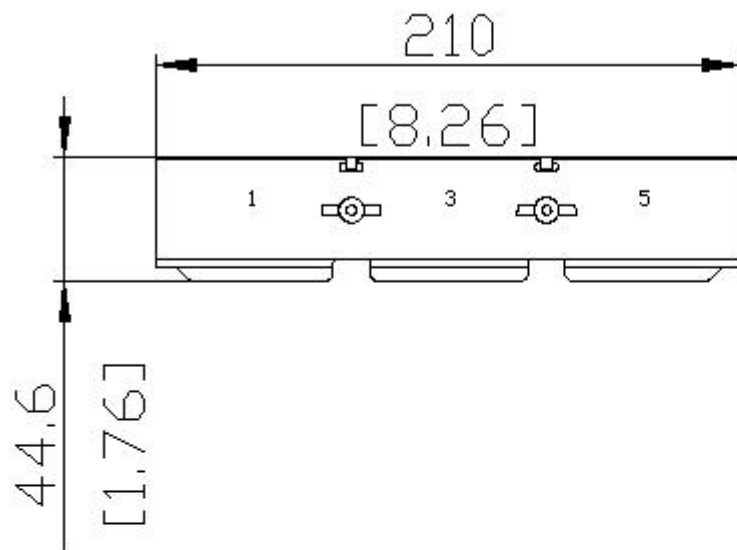
[http://www.automation.siemens.com/bilddb/cax\\_en.aspx?mlfb=3VA9671-0WD30](http://www.automation.siemens.com/bilddb/cax_en.aspx?mlfb=3VA9671-0WD30)

**CAX-Online-Generator**

<http://www.siemens.com/cax>

**Tender specifications**

<http://www.siemens.com/specifications>



last modified:

3/11/2021 