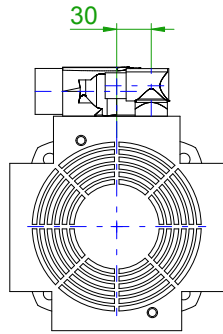


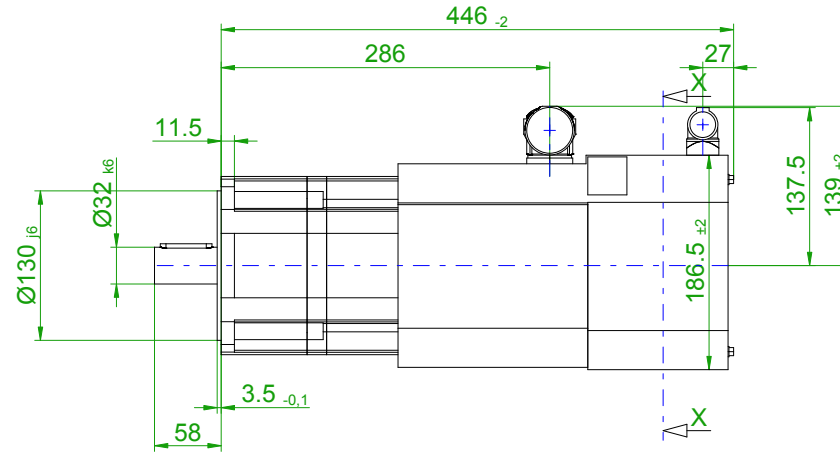
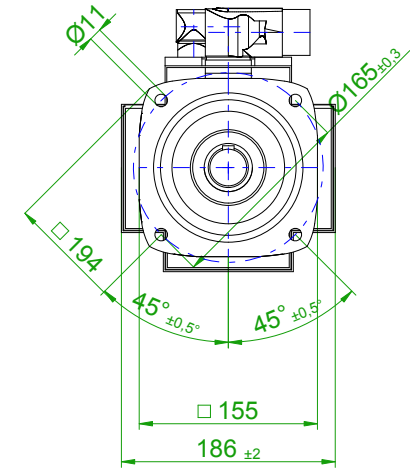
1 2 3 4 5 6 7 8

back view



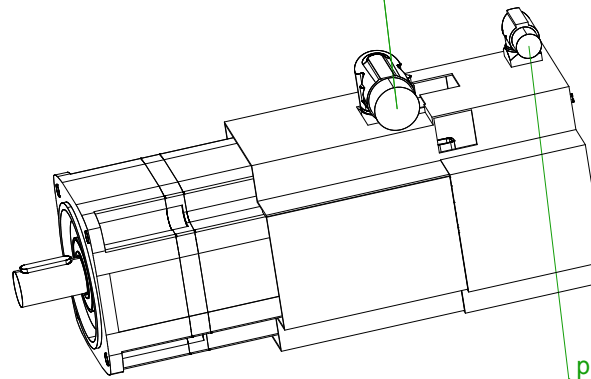
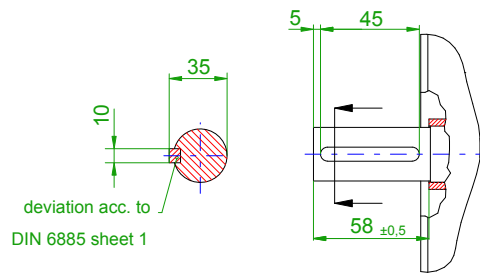
front view

center hole
DIN 332-DR M12



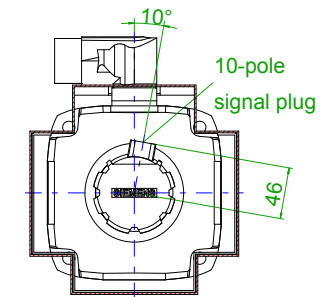
6-pole plug size 1.5
for power and brake

version with featherkey

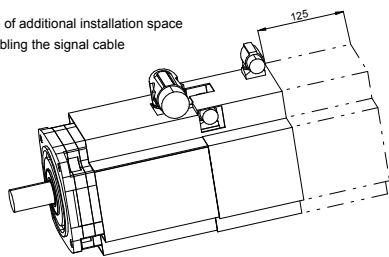


plug for fan port

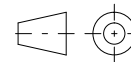
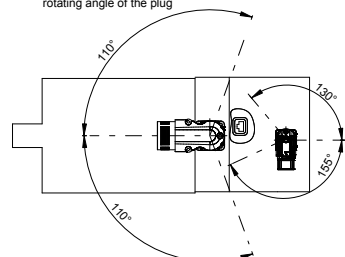
X-X



Take care of additional installation space
for assembling the signal cable



rotating angle of the plug



Einheit / unit: mm

nicht tolerierte Maße /
not toleranced dimensions:

Maßstab / scale: ohne / without

CAD CREATOR 2.2 (WWW-Version V02.20.00.00)

±1

SIEMENS

Synchron-Servomotor
Synchronous Servo Motor:

Optionen / options:

Gewicht / mass:

Bemerkung / notice:

1FT7086-5SF71-1CB0

36.5 kg

Druckdatum / print date: 07.08.2019

1 2 3 4 5 6 7 8