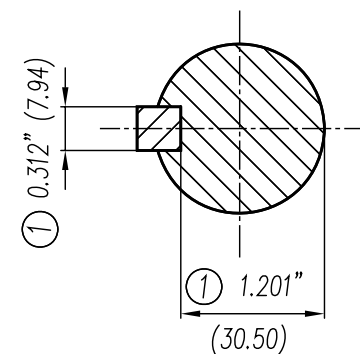


① Tolerances According to NEMA Std.
 ② All these dimensions corresponding to assemblies and castings shall have a tolerance as per DIN standard 1686-GTB 19.



Keyseat detail

CERTIFIED PRINT						
CUSTOMER						
PO#			SO#			
HP	RPM	FRAME	TYPE	VOLTS	PH	HZ

Tolerance in mm. according to DIN-1686-GTB-19		Quantity	Parts and Measure		Drawing No. Norm No.	Item No.	Material	Weight Lbs.
to 18	± 4.5	04 03 02 01						
Over 18 to 30	± 4.7							
Over 30 to 50	± 5							
Over 50 to 80	± 5.5							
Over 80 to 120	± 6							
Over 120 to 180	± 6.5							
Over 180 to 250	± 7							
Over 250 to 315	± 7.5							
Over 315 to 400	± 8							
Over 400 to 500	± 8.5							
Over 500 to 630	± 9.5							
Over 630 to 800	± 10							
		Remark						
			SIEMENS GUADALAJARA FACTORY		Dimension Drawing NEMA		Scale	
					1LE2 GP10A ONLY 10 HP - 2 & 4 Pol. NNM		W/O	
					Type: 1LE2 GP100A 213/215T FRAME 2,4 y 6 Pol.			
					3MSE 222 0870		2 / 2	
					Ref. 3MSE 222 0850		Replace.	

F260/1095