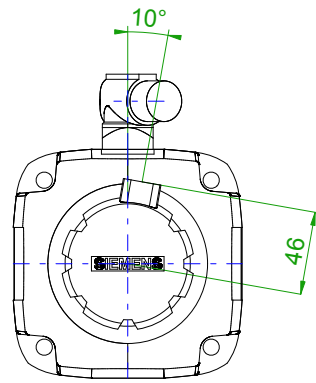
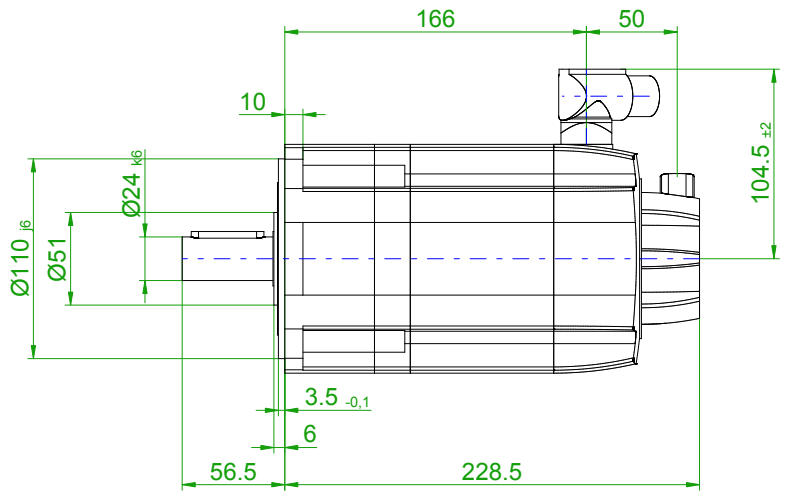
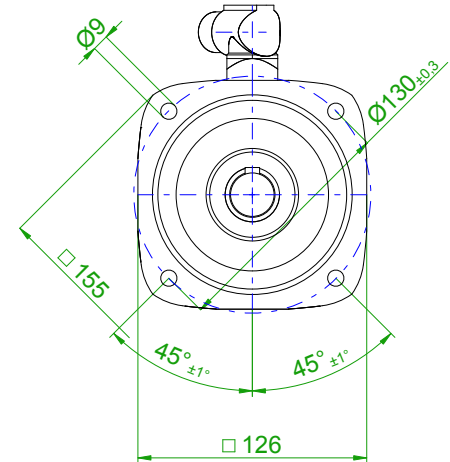


back view

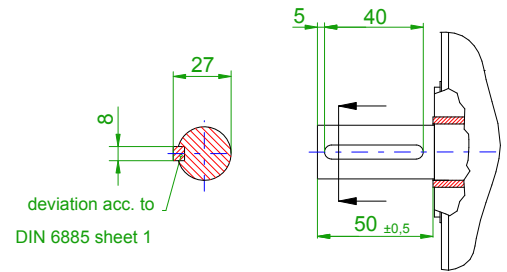


front view

center hole
DIN 332-DR M8

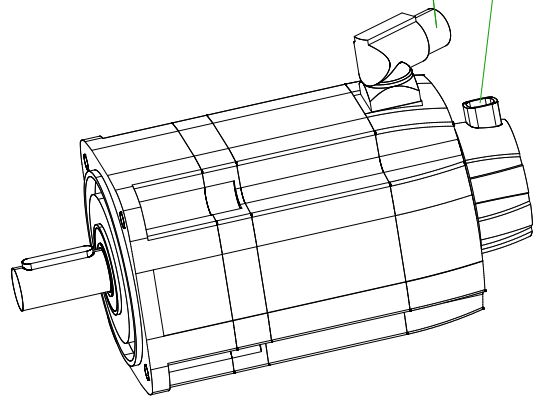


version with featherkey

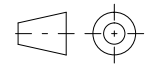
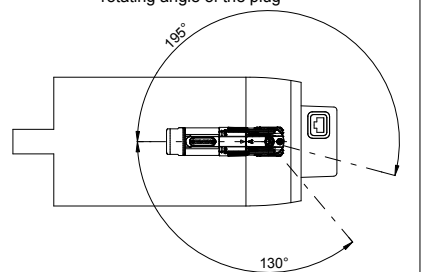


6-pole plug size 1
for power and brake

10-pole
signal plug



rotating angle of the plug



SIEMENS

Einheit / unit: mm	Synchron-Servomotor Synchronous Servo Motor:	1FT7064-5AK70-1CB4
nicht tolerierte Maße / not toleranced dimensions:	Optionen / options:	Gewicht / mass: 11.4 kg
Maßstab / scale: ohne / without	Bemerkung / notice:	
CAD CREATOR 2.2 (WWW-Version V02.20.00.00)	Druckdatum / print date:	06.02.2020