

Electrically held lighting contactor, (convertible to mech. held), Amp rating 30A (tungsten 20A), 0 N.C. / 8 N.O. poles, 347V 60Hz coil, Non-combination type, Encl NEMA type 4X 304 S-Steel, Water/dust tight noncorrosive



Figure similar

|  |   |
|--|---|
| Product brand name   | Class LC  |
| Design of the product  | Electrically held lighting contactor (convertible to mechanically held)                       |
| Special product feature                                      | Electrically held convertible to mechanically held; Power poles convertible between NO and NC |
| <b>General technical data</b>                                |   |
| Weight [lb]  | 20 lb   |
| Height x Width x Depth [in]                                  | 16 × 13 × 6 in  |
| Protection against electrical shock                          | NA for enclosed products  |
| Installation altitude [ft] at height above sea level maximum | 6560 ft   |
| Ambient temperature [°F]                                     |   |
| • during storage   | -22 ... +149 °F   |
| • during operation   | -13 ... +104 °F   |
| Ambient temperature  |   |
| • during storage   | -30 ... +65 °C  |
| • during operation   | -25 ... +40 °C  |
| Country of origin  | USA   |

| Contactor  |  |
|--|--|
| Size of contactor  | 30 Amp   |
| Number of NO contacts for main contacts  | 8  |
| Number of NC contacts for main contacts  | 0  |
| Operating voltage for main current circuit at AC at 60 Hz maximum  | 600 V  |
| Mechanical service life (switching cycles) of the main contacts typical  | 100000   |
| Contact rating of the main contacts of lighting contactor  |  |
| <ul style="list-style-type: none"> <li>• at tungsten (1 pole per 1 phase) rated value</li> <li>• at tungsten (2 poles per 1 phase) rated value</li> <li>• at tungsten (3 poles per 3 phases) rated value</li> <li>• at ballast (1 pole per 1 phase) rated value</li> <li>• at ballast (2 poles per 1 phase) rated value</li> <li>• at ballast (3 poles per 3 phases) rated value</li> <li>• at resistive load (1 pole per 1 phase) rated value</li> <li>• at resistive load (2 poles per 1 phase) rated value</li> <li>• at resistive load (3 poles per 3 phases) rated value</li> </ul> | 20A @277V 1p 1ph<br>20A @480V 2p 1ph<br>20A @480V 3p 3ph<br>30A @347V 1p 1ph<br>30A @600V 2p 1ph<br>30A @600V 3p 3ph<br>30A @600V 1p 1ph<br><br>30A @600V 2p 1ph<br><br>30A @600V 3p 3ph |
| Auxiliary contact  |  |
| Number of NC contacts for auxiliary contacts   | 0  |
| Number of NO contacts for auxiliary contacts   | 0  |
| Number of total auxiliary contacts maximum   | 4  |
| Contact rating of auxiliary contacts of contactor according to UL  | NA   |
| Coil   |  |
| Type of voltage of the control supply voltage  | AC   |
| Control supply voltage   |  |
| <ul style="list-style-type: none"> <li>• at AC at 60 Hz rated value</li> </ul>   | 347 ... 347 V  |
| Apparent pick-up power of magnet coil at AC  | 248 V·A  |
| Apparent holding power of magnet coil at AC  | 28 V·A   |
| Operating range factor control supply voltage rated value of magnet coil   | 0.85 ... 1.1   |
| Enclosure  |  |
| Degree of protection NEMA rating of the enclosure  | NEMA 4X 304 stainless steel enclosure  |
| Design of the housing  | Dust-tight, watertight & corrosion resistant   |
| Mounting/wiring  |  |
| Mounting position  | Vertical   |
| Mounting type  | Surface mounting and installation  |

|   |                      |
|---|----------------------|
| Type of electrical connection for supply voltage line-side  | Screw-type terminals |
| Tightening torque [lbf·in] for supply   | 35 ... 35 lbf·in     |
| Type of connectable conductor cross-sections at line-side at AWG conductors single or multi-stranded                  | 2x (14 ... 8 AWG)    |
| Temperature of the conductor for supply maximum permissible   | 75 °C                |
| Material of the conductor for supply  | CU                   |
| Type of electrical connection for load-side outgoing feeder   | Screw-type terminals |
| Tightening torque [lbf·in] for load-side outgoing feeder  | 35 ... 35 lbf·in     |
| Type of connectable conductor cross-sections at AWG conductors for load-side outgoing feeder single or multi-stranded | 2x (14 ... 8 AWG)    |
| Temperature of the conductor for load-side outgoing feeder maximum permissible  | 75 °C                |
| Material of the conductor for load-side outgoing feeder   | CU                   |
| Type of electrical connection of magnet coil  | Screw-type terminals |
| Tightening torque [lbf·in] at magnet coil   | 15 ... 15 lbf·in     |
| Type of connectable conductor cross-sections of magnet coil at AWG conductors single or multi-stranded                | 2x (18 ... 14 AWG)   |
| Temperature of the conductor at magnet coil maximum permissible   | 75 °C                |
| Material of the conductor at magnet coil  | CU                   |

#### Short-circuit current rating

|   |                                   |
|---|-----------------------------------|
| Design of the fuse link for short-circuit protection of the main circuit required | 100kA@600V (Class R or J 40A max) |
| Design of the short-circuit trip  | Thermal magnetic circuit breaker  |
| Maximum short-circuit current breaking capacity (I <sub>cu</sub> )                |                                   |
| • at 240 V  | 24 kA                             |
| • at 480 V  | 65 kA                             |
| • at 600 V  | 25 kA                             |
| Certificate of suitability  | NEMA ICS 2; UL 508                |

#### Further information

##### Industrial Controls - Product Overview (Catalogs, Brochures,...)

[www.usa.siemens.com/iccatalog](http://www.usa.siemens.com/iccatalog)

##### Industry Mall (Online ordering system)

<https://mall.industry.siemens.com/mall/en/us/Catalog/product?mlfb=US2:LCE04C008347A>

##### Service&Support (Manuals, Certificates, Characteristics, FAQs,...)

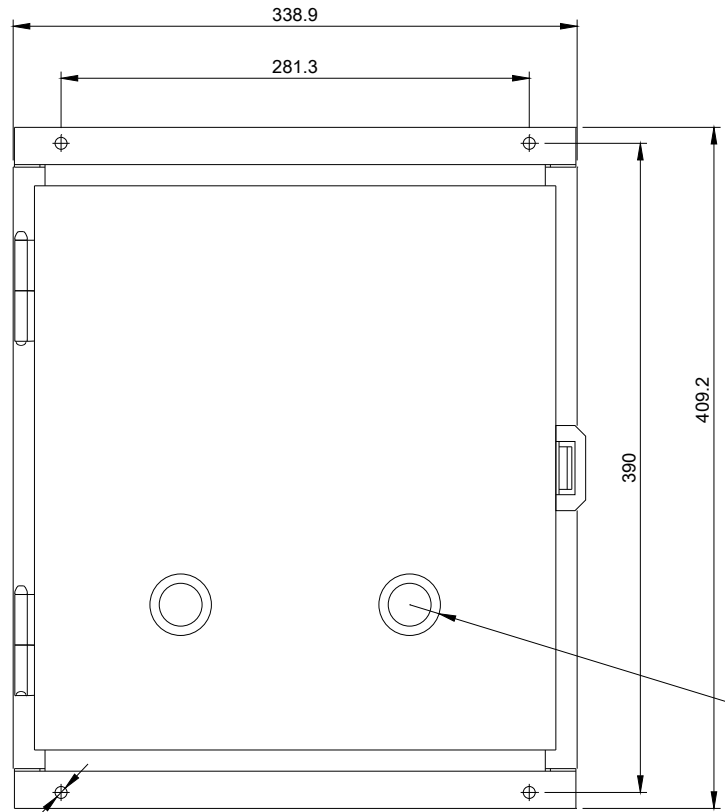
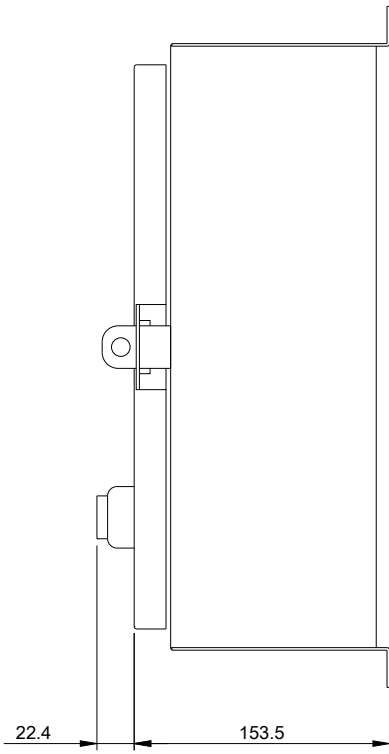
<https://support.industry.siemens.com/cs/US/en/ps/US2:LCE04C008347A>

##### Image database (product images, 2D dimension drawings, 3D models, device circuit diagrams, EPLAN macros, ...)

[http://www.automation.siemens.com/bilddb/cax\\_de.aspx?mlfb=US2:LCE04C008347A&lang=en](http://www.automation.siemens.com/bilddb/cax_de.aspx?mlfb=US2:LCE04C008347A&lang=en)

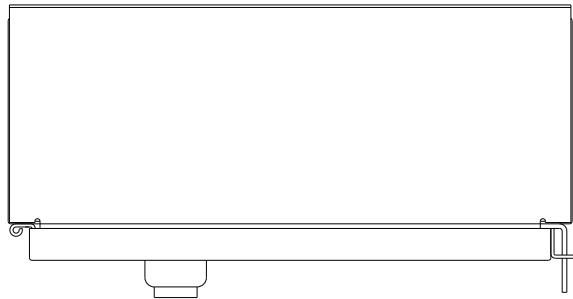
##### Certificates/approvals

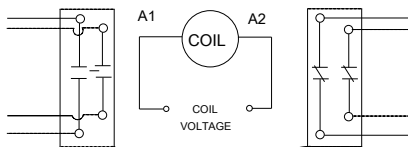
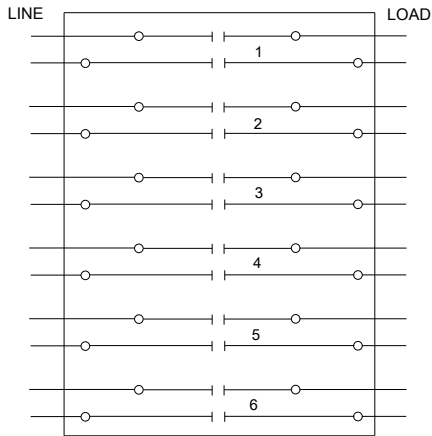
<https://support.industry.siemens.com/cs/US/en/ps/US2:LCE04C008347A/certificate>



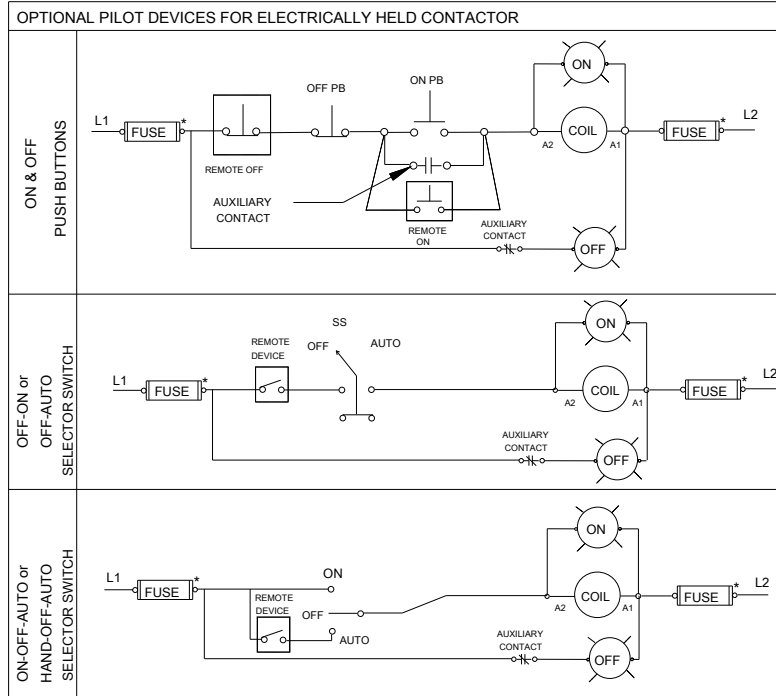
(4) M7C HOLES

ROOM FOR  
REVERSING  
STARTER





OPTIONAL  
AUXILIARY  
CONTACTS



\* -- IF USED

D38297001

last modified:

11/28/2019