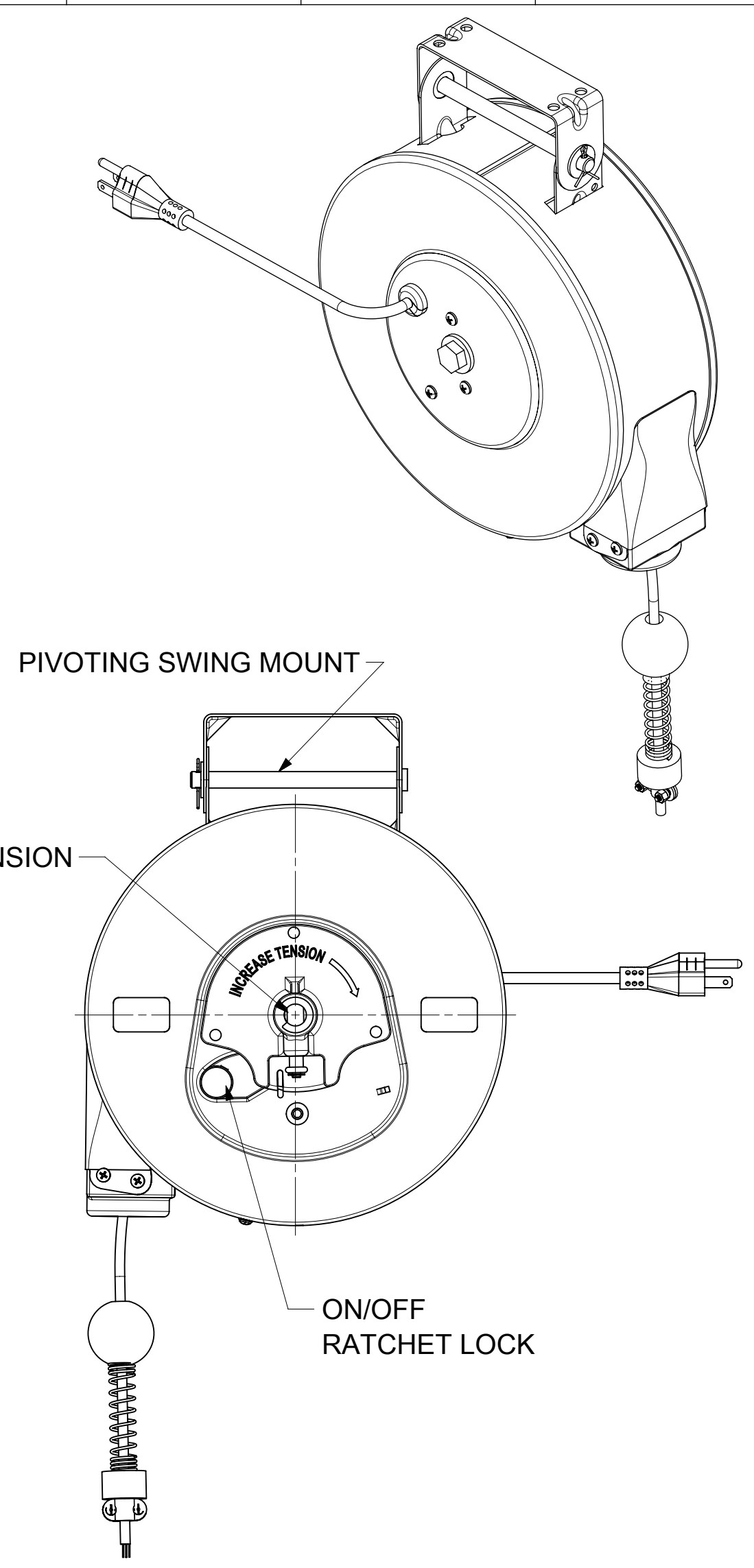
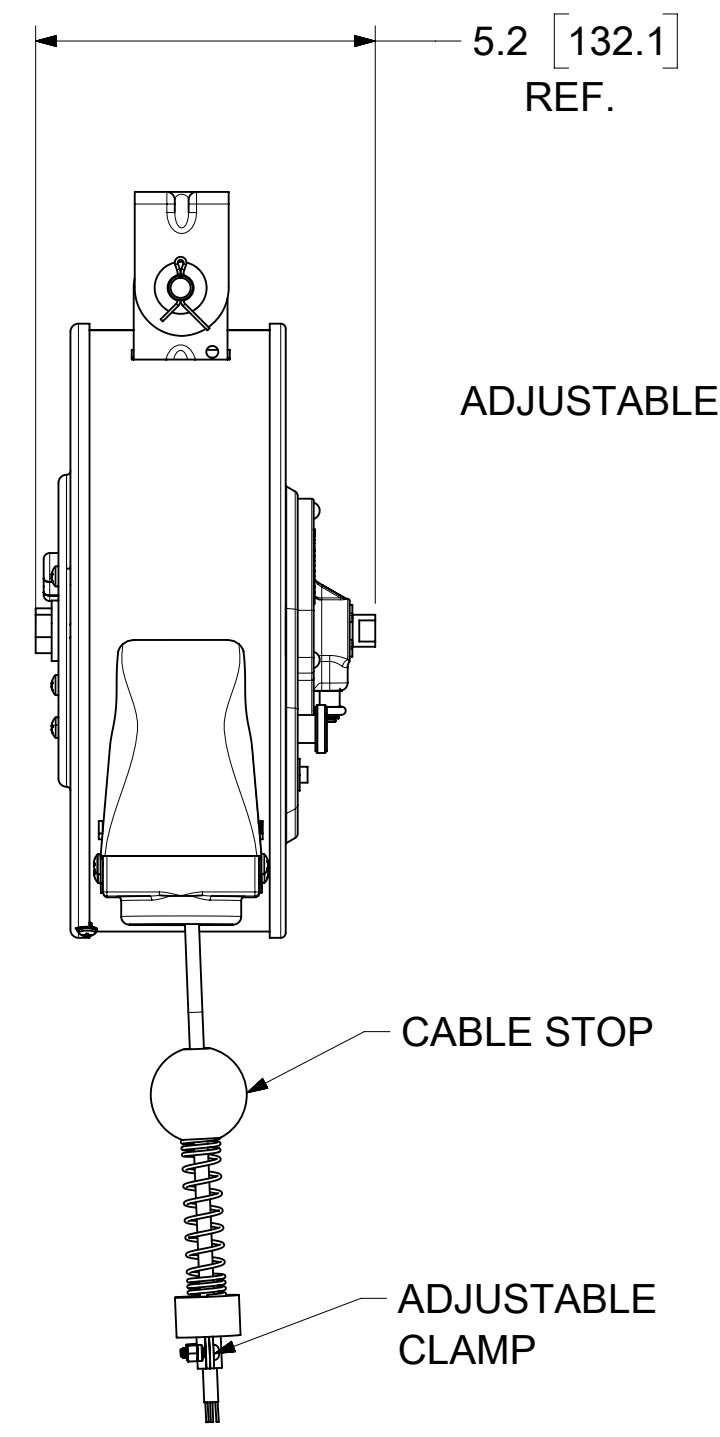
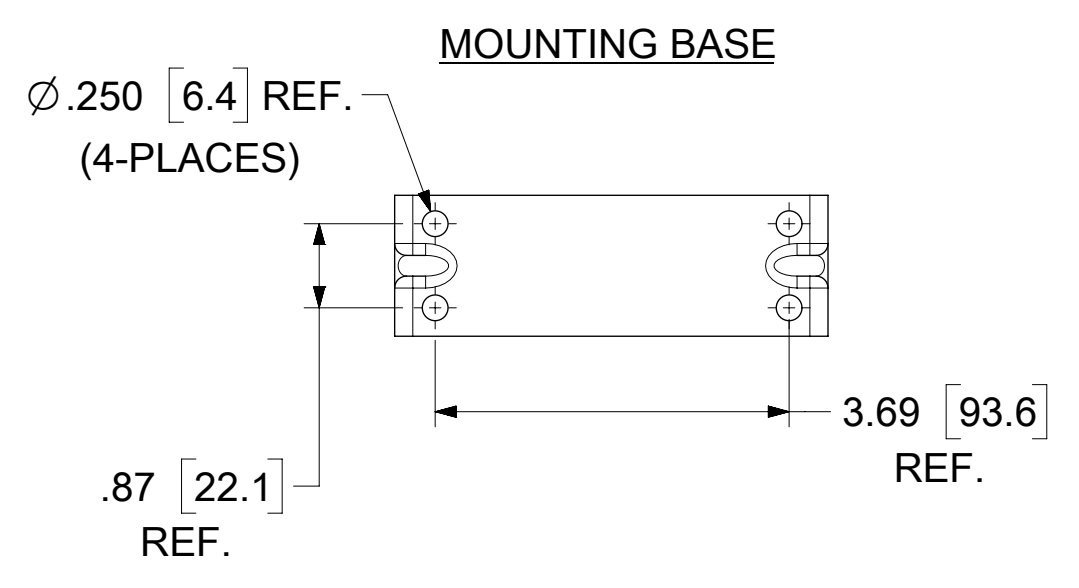
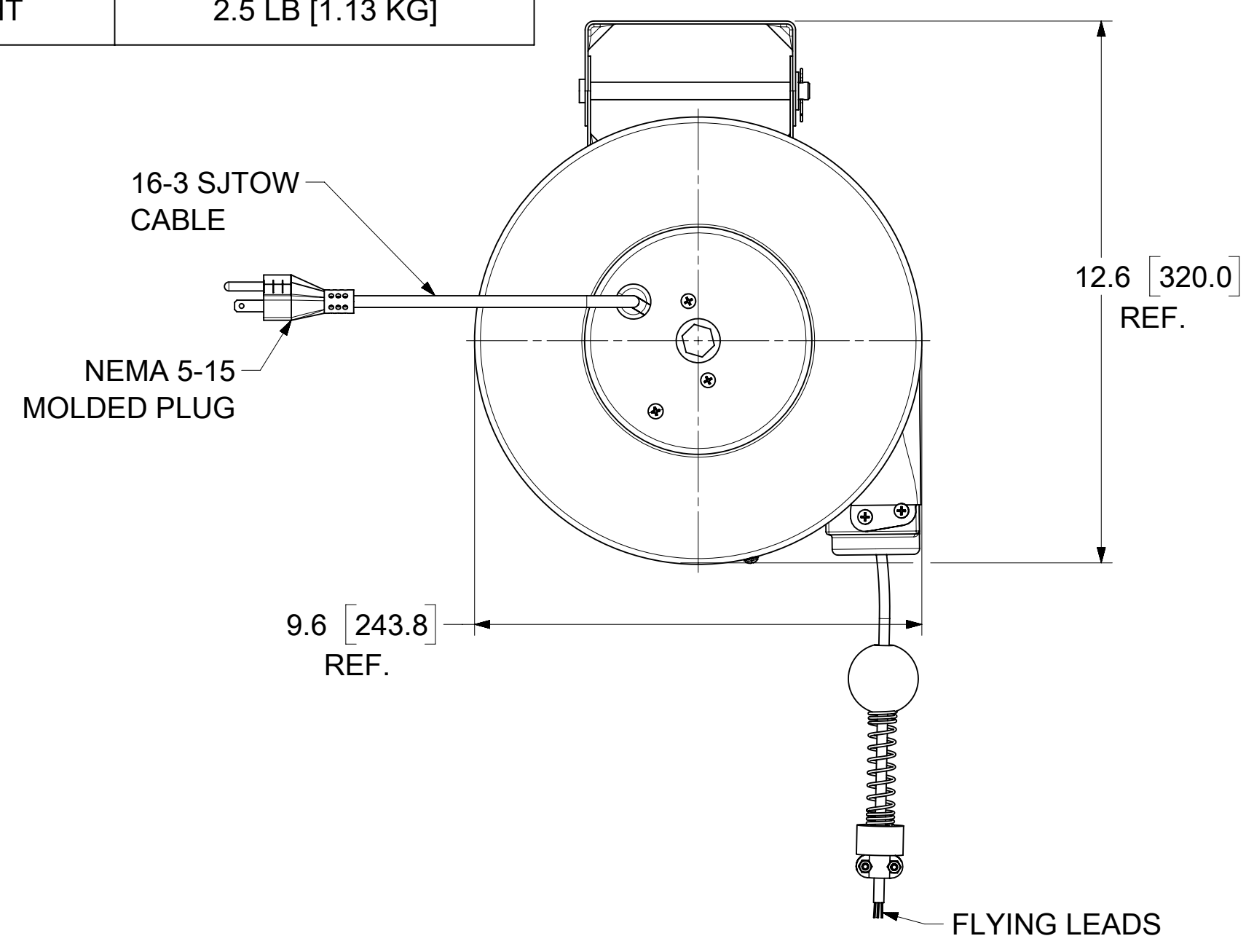


ORDER NO	130090-0009
WOODHEAD ENG. NO	945-3
WIRE GAUGE	16
CONDUCTORS	3
AMPERAGE	6A
WORKING CORD	35 FT., YELLOW
CORD TYPE	SJTOW
CONSTRUCTION	STEEL
PAINT	YELLOW POWDER COAT
REEL ENCLOSURE RATING	INDOOR
RETRACTION WEIGHT	2.5 LB [1.13 KG]



NOTES:

1. CABLE GUIDE IS NOT ADJUSTABLE
2. ON/OFF RATCHET LOCK
3. RATCHET LOCK IS EASY TO DISENGAGE FOR CONSTANT TENSION.
4. CABLE STOP INCLUDED

FUNCTIONAL SYMBOLS	THIS DRAWING CONTAINS INFORMATION THAT IS PROPRIETARY TO MOLEX ELECTRONIC TECHNOLOGIES, LLC AND SHOULD NOT BE USED WITHOUT WRITTEN PERMISSION			
	DIMENSION UNITS	SCALE		CURRENT REV DESC: RELEASE CUSTOMER DRAWING
$F_A = 0$	INCH/MM	NTS		<p>EC NO: 670019</p> <p>DRWN: DSOPPIN 2021/07/13</p> <p>CHK'D: DSOPPIN 2022/06/23</p> <p>APPR: HKNEELAND 2022/07/25</p> <p>INITIAL REVISION:</p> <p>DRWN: MCHOJECK 2011/07/18</p> <p>APPR: DTITUS 2011/09/02</p>
$F_C = 0$	GENERAL TOLERANCES (UNLESS SPECIFIED)			
$F_D = 0$		MM	INCH	
DIVISIONAL SYMBOLS	4 PLACES	±	±	
	3 PLACES	±	± 0.005	
	2 PLACES	± 0.13	± 0.01	
	1 PLACE	± 0.25	± 0.02	
	0 PLACES	±	±	
	ANGULAR TOL	± 0.5°		
DRAFT WHERE APPLICABLE MUST REMAIN WITHIN DIMENSIONS		THIRD ANGLE PROJECTION	DRAWING C-SIZE	SERIES 130090
DOCUMENT STATUS	P1	RELEASE DATE	2022/07/25 23:38:20	<p>molex</p> <p>FULLY ENCLOSED ELECTRIC REEL - MEDIUM DUTY W/35' #16/3 CABLE</p> <p>PRODUCT CUSTOMER DRAWING</p> <p>DOCUMENT NUMBER: SD-130090-001</p> <p>DOC TYPE: PSD</p> <p>DOC PART: 001</p> <p>REVISION: A1</p> <p>MATERIAL NUMBER: SEE TABLE</p> <p>CUSTOMER: GENERAL MARKET</p> <p>SHEET NUMBER: 1 OF 1</p>