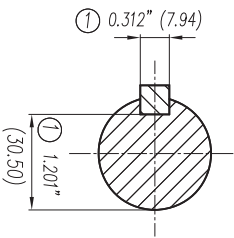
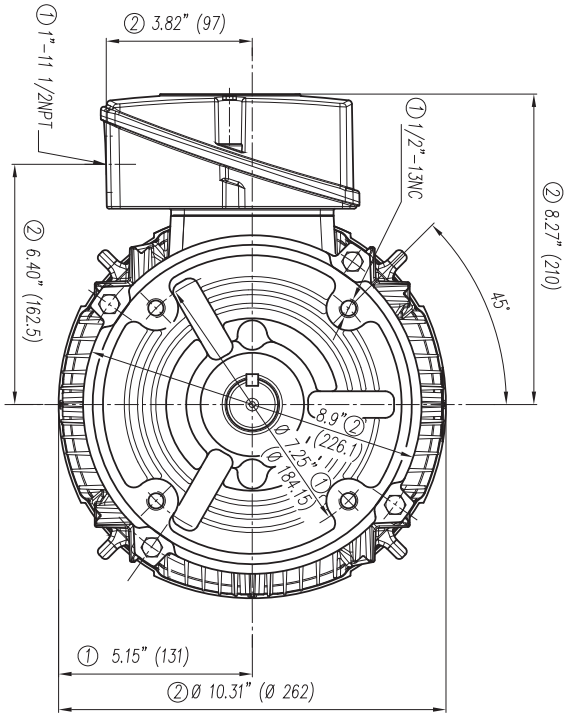


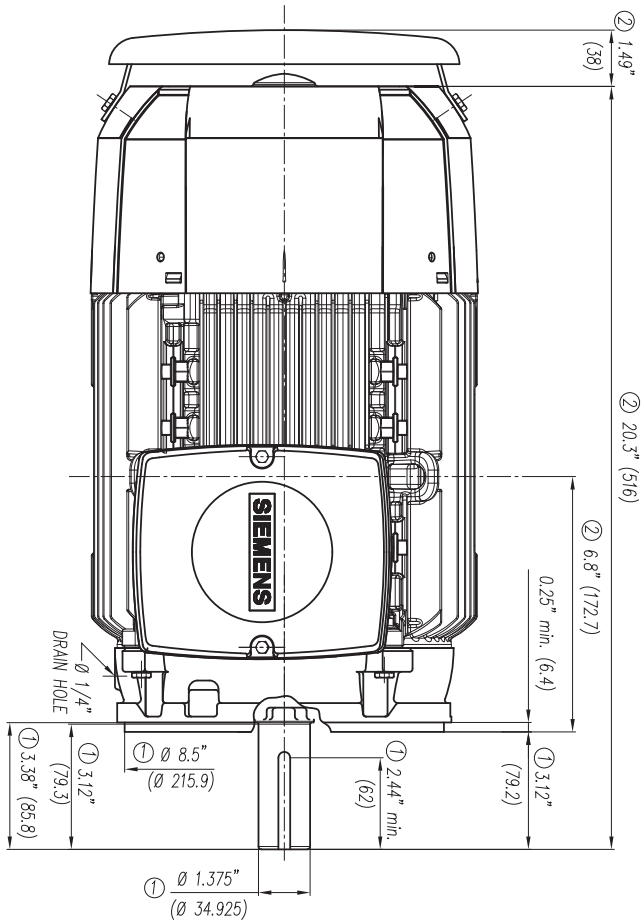
CERTIFIED PRINT

CUSTOMER					
FIG	329				
HP	300	FRAME	TYPE	WOLLS	PH
					1/2



Keyseat detail

- ① Tolerances According to NEMA Std.
- ② All these dimensions corresponding to assemblies and castings shall have a tolerance as per DIN standard 1688-GTB 19.



Tolerance in mm. according to DIN-1688-GTB-19	Quantity	Parts and Measure	Drawing No. Norm No.	Item No.	Material	Weight Lbs.
②	04,03,02,01					
To 18	± 4,5					
Over 18 to 30	± 4,7					
Over 30 to 50	± 5					
Over 50 to 80	± 5,5					
Over 80 to 120	± 6					
Over 120 to 180	± 6,5					
Over 180 to 250	± 7					
Over 250 to 315	± 7,5					
Over 315 to 400	± 8					
Over 400 to 500	± 8,5					
Over 500 to 630	± 9,5					
Over 630 to 800	± 10					

European Projection	Modific.	Name	Date	Drawn	25/07/06	Fdo/Macias
Dimensions in inches (mm)				Checked		
				Sfd. Ckd		

SIEMENS	Dimension Drawing NEMA ILE2 GP10A ONLY 10 HP - 2 & 4 Pol. NMM	Scale
GUADALAJARA FACTORY	Type: ILE2 GP10A 213/215TC FRAME 2.4 x 6 Pol.	W/0
	3MSE 222 0873	
Ref: 3MSE 222 0870	Replace	2 / 2