



Operating Unit with Rod Variable Depth Flange Mounted operator kit, consisting of: handle steel epoxy coated NEMA 1, 12, 3R black=OFF, red=ON Switching mechanism Mounting depth 8" to 16" Accessory for: 3VA5 400, 3VA5 600 3VA6 400, 3VA6 600

Model	
product brand name	SENTRON
product designation	Accessories
Product version	Operating unit with rod
Accessories	Variable depth flange mounted operator
General technical data	
degree of protection NEMA rating	NEMA 1, 12, 3R
Mechanical Design	
net weight	2 500 g
Further information	

**Information- and Downloadcenter (Catalogs, Brochures,...)**

<http://www.siemens.com/lowvoltage/catalogs>

**Industry Mall (Online ordering system)**

<https://mall.industry.siemens.com/mall/en/en/Catalog/product?mlfb=3VA9478-0DK72>

**Service&Support (Manuals, Certificates, Characteristics, FAQs,...)**

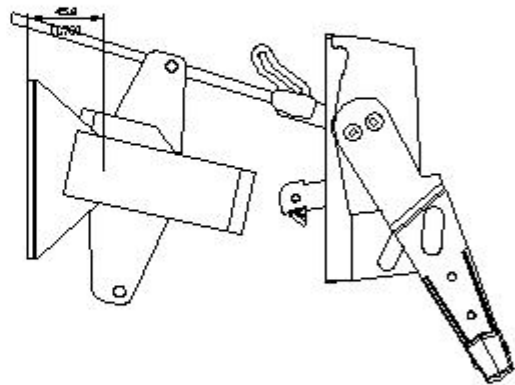
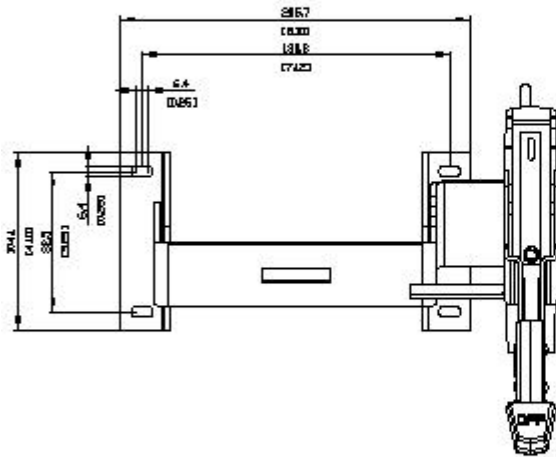
<https://support.industry.siemens.com/cs/ww/en/ps/3VA9478-0DK72>

**Image database (product images, 2D dimension drawings, 3D models, device circuit diagrams, ...)**

[http://www.automation.siemens.com/bilddb/cax\\_en.aspx?mlfb=3VA9478-0DK72](http://www.automation.siemens.com/bilddb/cax_en.aspx?mlfb=3VA9478-0DK72)

**Tender specifications**

<http://www.siemens.com/specifications>



last modified:

12/20/2020 