



Pump control panel with MCP
 NEMA controller size 6
 3-Phase, 3-Pole
 Maximum voltage rating 600VAC
 Max Hp 60Hz: 100@200V; 125@230V; 250@460V; 300@575V
 Solid-state overload relay(s) with 160 - 630A range
 Control voltage 220-240V 50-60Hz/DC
 NEMA Type 3/3R enclosure

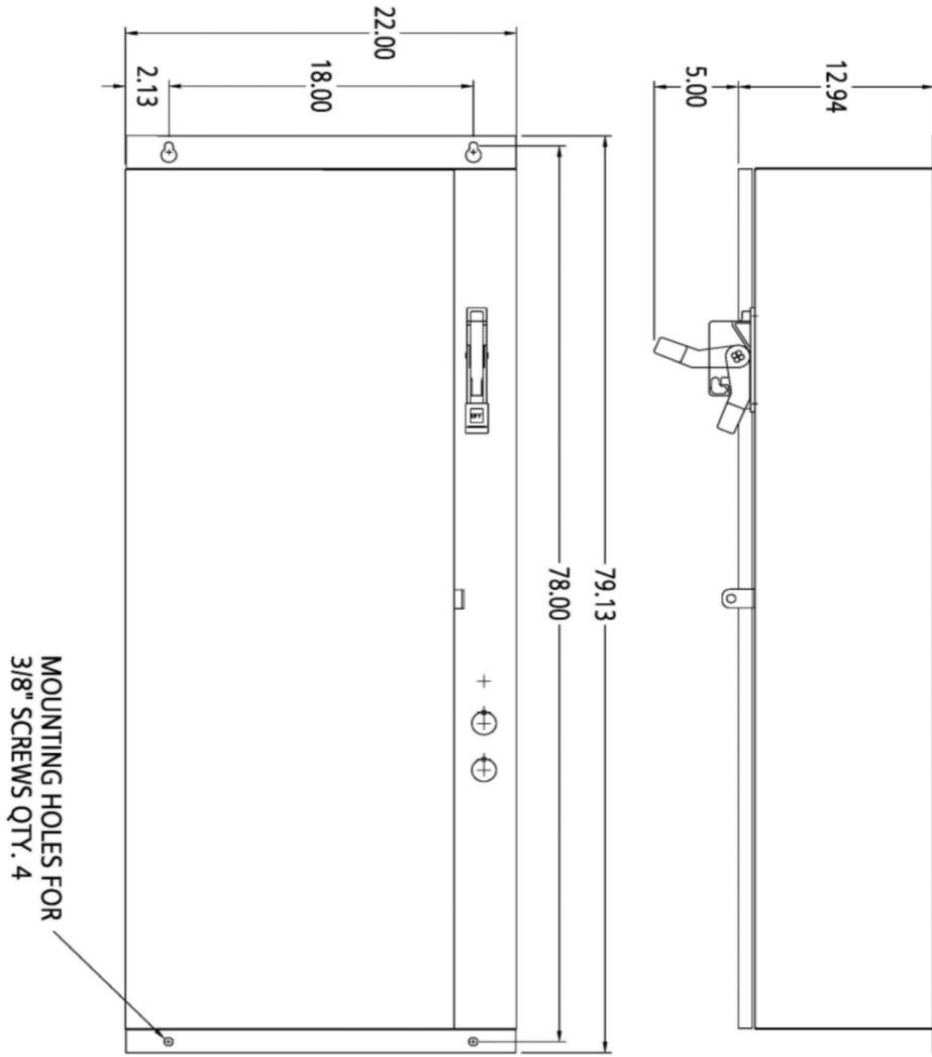


Image is representative and may not depict the actual product.

General technical data:	
Weight	240 lb
Height x Width x Depth	79 x 22 x 13 in.
Finger-safe (main circuit / control circuit)	NA / NA
Maximum altitude	6560 ft
Ambient storage temperature	(-30 to 65)°C / (-22 to 149)°F
Ambient operating temperature	(-20 to 40)°C / (-4 to 104)°F
Humidity (% non-condensing)	(no data)
Rated impulse voltage resistance	(no data)
Rated insulation voltage	(no data)
Country of origin	USA
Contactors:	
Number of NO main contacts	3
Amp rating	540A
Mechanical operating cycles	10,000,000
Internal/standard auxiliary contact:	
Number of NC / NO auxiliary contacts	2NC / 2NO
Rating	10A@240VAC (A300), 2.5A@250VDC (Q300)
Optional auxiliary contact:	
Max number of NC / NO auxiliary contacts	4NC / 4NO
Rating	10A@240VAC (A300), 2.5A@250VDC (Q300)
Coil:	
Voltage	220-240V 50-60Hz/DC Coil
Sealed watts	10W
Inrush / sealed power	830 / 9.2 VA
Normal coil operating limits (% of rated voltage)	85% - 110%
Typical drop-out volts (% of rated voltage)	60%
Pick-up time / Drop-out time	45-100 / 60-100 msec
Overload Relay:	
Current range	160 - 630A
Trip Class	Class 10
Trip detection	Overload
Phase failure sensitivity	Yes
Repeat accuracy	(no data)
Reset options	Manual and automatic
External reset	Yes
Test function	Electronics & manual actuation
Conformal coating on printed circuit board	No
Number of NC / NO auxiliary contacts	1NC / 1NO
Rating of auxiliary contacts	5A@600VAC (B600), 1A@250VDC (R300)
Single contact isolation	600V

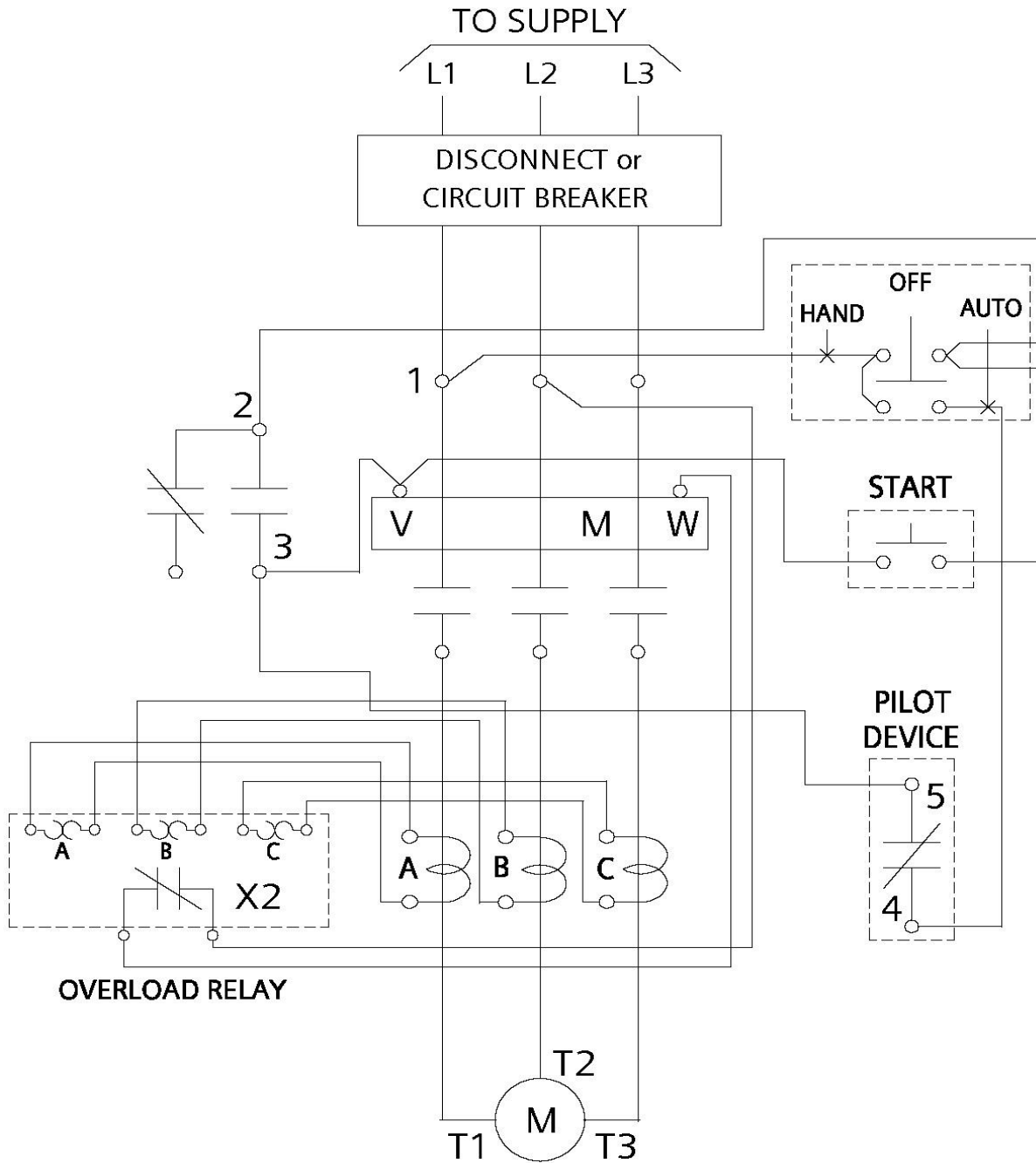
Dual contact isolation	300V differing polarity / 600V common polarity
Motor Circuit Protector (magnetic trip only):	
Rating	400A
Instantaneous trip range	2000 - 4000A
Enclosure:	
Type	NEMA Type 3/3R enclosure
Rating	Weather proof for outdoor use
Standard Control Devices:	
Hand-Off-Auto selector switch	30mm metal housing with chrome finish
Start push button	30mm metal housing with chrome finish
Mounting/wiring:	
Mounting orientation	Vertical
Mounting type	Surface
Line side connection type / torque	Box lug / (refer to actual product for torque specs)
Line side solid & stranded conductors	2x(3/0 - 500 kcmil) 75°C CU or 2x(4/0 - 500 kcmil) 75°C AL
Load side connection type / torque	Box lug / 180-220 lb-in.
Load side solid & stranded conductors	2 x 2/0 AWG - 500 MCM
Coil connection type / torque	Screw / 7 lb in. - 10 lb in.
Coil solid & stranded conductors	2 x (18 - 14 AWG) CU 60/75°C
Main auxiliary contact connection type / torque	Screw / 7 lb in. - 10 lb in.
Main auxiliary contact solid & stranded conductors	2x (20 - 16), 2x (18 - 14) CU 60/75oC
OLR auxiliary contact connection type / torque	Screw / 7 lb in. - 10 lb in.
OLR auxiliary contact solid & stranded conductors	2 x (20 - 14 AWG) CU 60/75°C
Short circuit current rating:	
Factory installed motor circuit protector	100kA@480V; 42kA@600V
Certificates/approvals:	
	UL (file no. E185287) cUL (file no. E185287 for Canada) CSA (file no. 006535 C 000) ISO 9001 certification
Additional information:	
	Brochure OLR instruction sheet & trip curves

OUTLINE 79X22X13 NEMA 1/3/3R/4/12



DIMENSIONS ARE IN INCHES.
FILE NAME: SFIS-D56032006-0211

WIRING DIAGRAM



REF. D63677010