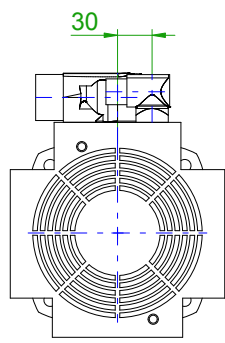
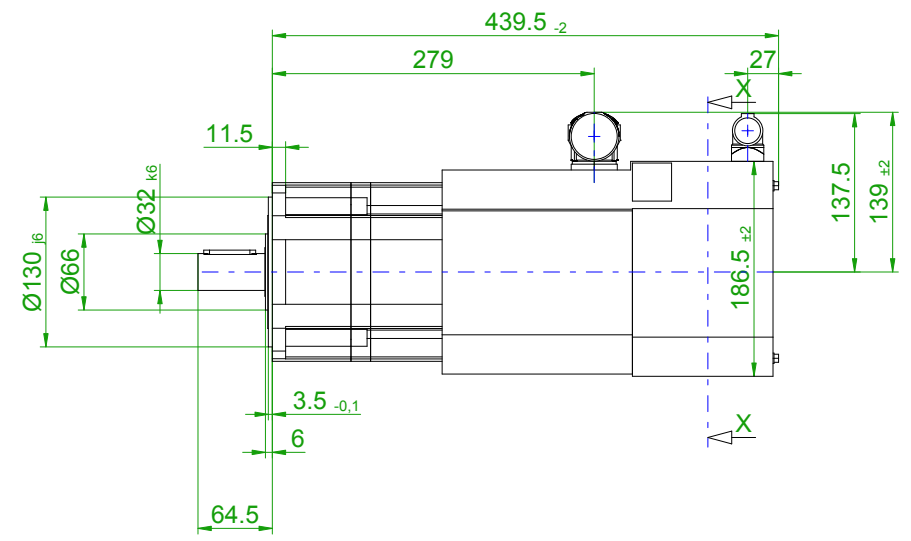
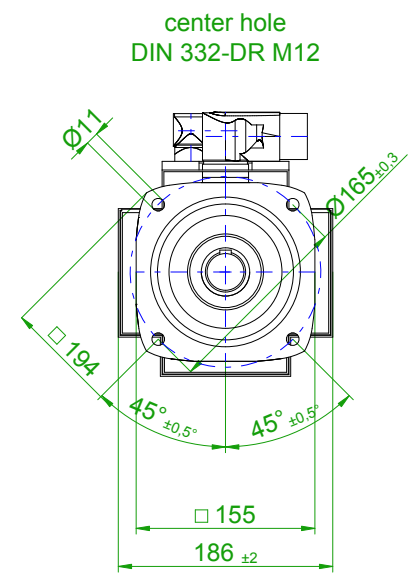


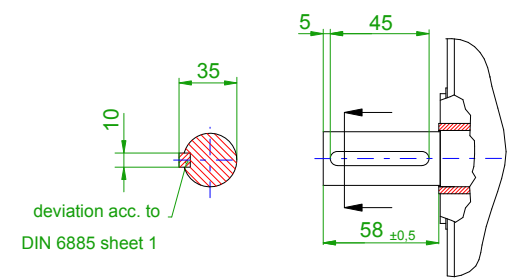
back view



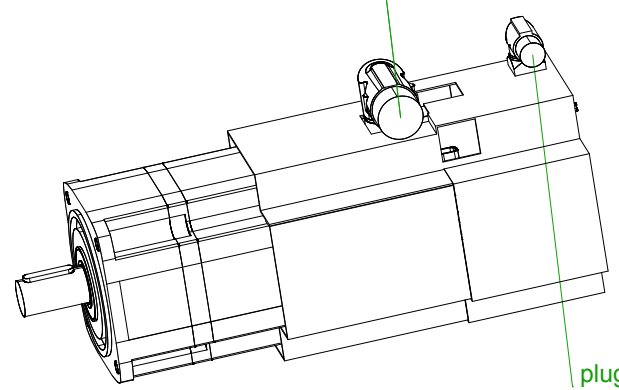
front view



version with featherkey

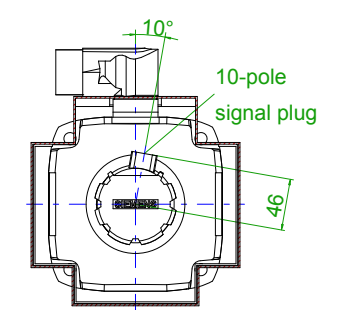


6-pole plug size 1.5 for power and brake

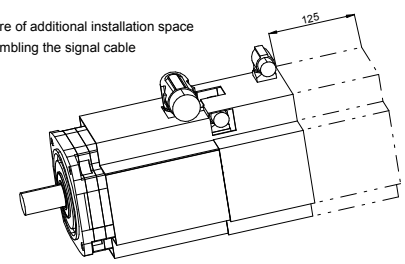


plug for fan port

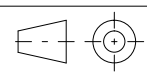
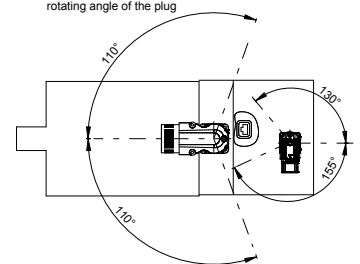
X-X



Take care of additional installation space for assembling the signal cable



rotating angle of the plug



SIEMENS

Einheit / unit: mm

Synchron-Servomotor
Synchronous Servo Motor:

1FT7086-5SH70-1BB0

nicht tolerierte Maße / not toleranced dimensions: ±1

Optionen / options:

Gewicht / mass:

36.5 kg

Maßstab / scale: ohne / without

Bemerkung / notice:

CAD CREATOR 2.2 (WWW-Version V02.20.00.00)

Druckdatum / print date:

23.01.2019