



Pump control panel with fused disconnect switch
 Controller half size 2 1/2
 3-Phase, 3-Pole
 Maximum voltage rating 240VAC
 Max Hp 60Hz: 15@200V; 20@230V; NA@460V; NA@575V
 Solid-state overload relay(s) with 25–100A range
 Control voltage 110VAC 50Hz / 120VAC 60Hz
 NEMA Type 3/3R enclosure



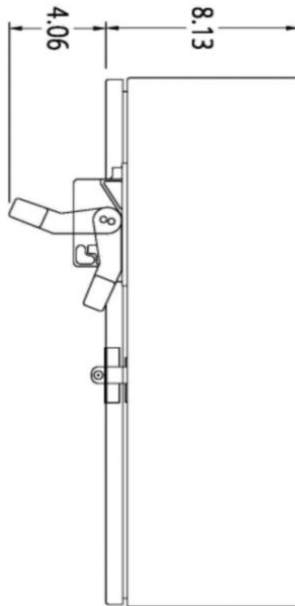
Image is representative and may not depict the actual product.

| General technical data: | |
|---|--|
| Weight | 48 lb |
| Height x Width x Depth | 29 x 20 x 8 in. |
| Finger-safe (main circuit / control circuit) | NA / NA |
| Maximum altitude | 6560 ft |
| Ambient storage temperature | (-30 to 65)°C / (-22 to 149)°F |
| Ambient operating temperature | (-20 to 40)°C / (-4 to 104)°F |
| Humidity (% non-condensing) | (no data) |
| Rated impulse voltage resistance | (no data) |
| Rated insulation voltage | (no data) |
| Country of origin | USA |
| Contactors: | |
| Number of NO main contacts | 3 |
| Amp rating | 60A |
| Mechanical operating cycles | 10,000,000 |
| Internal/standard auxiliary contact: | |
| Number of NC / NO auxiliary contacts | 0NC / 1NO |
| Rating | 10A@600VAC (A600), 5A@600VDC (P600) |
| Optional auxiliary contact: | |
| Max number of NC / NO auxiliary contacts | 7 total |
| Rating | 10A@600VAC (A600), 5A@600VDC (P600) |
| Coil: | |
| Voltage | 110VAC 50Hz / 120VAC 60Hz Coil |
| Sealed watts | 8.6W |
| Inrush / sealed power | 218 / 25 VA |
| Normal coil operating limits (% of rated voltage) | 85% - 110% |
| Typical drop-out volts (% of rated voltage) | 50% |
| Pick-up time / Drop-out time | 19-29 / 10-24 msec |
| Overload Relay: | |
| Current range | 25–100A |
| Trip Class | Class 5 / 10 (factory set) / 20 / 30 |
| Trip detection | Overload, phase failure, phase unbalance, ground fault |
| Phase failure sensitivity | Trip time after phase-loss: < 3 sec |
| Repeat accuracy | Within 1% |
| Reset options | Manual, automatic and remote |
| External reset | Yes |
| Test function | Electronics & manual actuation |
| Conformal coating on printed circuit board | Yes |
| Number of NC / NO auxiliary contacts | 1NC / 1NO |
| Rating of auxiliary contacts | 5A@600VAC (B600), 1A@250VDC (R300) |
| Single contact isolation | 600V |

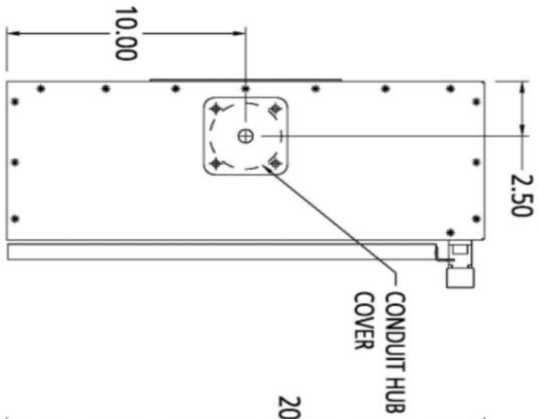
| | |
|--|---|
| Dual contact isolation | 300V differing polarity / 600V common polarity |
| Disconnect Switch: | |
| Rating | 100A with 100A/250V Class H fuse clips |
| Fuse type accepted | Class H, K and R |
| Enclosure: | |
| Type | NEMA Type 3/3R enclosure |
| Rating | Weather proof for outdoor use |
| Standard Control Devices: | |
| Hand-Off-Auto selector switch | 30mm metal housing with chrome finish |
| Start push button | 30mm metal housing with chrome finish |
| Mounting/wiring: | |
| Mounting orientation | Vertical |
| Mounting type | Surface |
| Line side connection type / torque | Box lug / 120 lb in |
| Line side solid & stranded conductors | 1x(14 - 1/0 AWG) 75°C AL or CU |
| Load side connection type / torque | Box lug / 45 lb-in. |
| Load side solid & stranded conductors | 1x(14 - 2 AWG) 75°C AL or CU |
| Coil connection type / torque | Screw / 5 lb in. - 12 lb in. |
| Coil solid & stranded conductors | 2 x (16 - 12 AWG) CU 60/75°C |
| Main auxiliary contact connection type / torque | Screw / 10 - 15 lb-in |
| Main auxiliary contact solid & stranded conductors | 1 x (12 AWG), 2 x (16 - 14 AWG), 2 x (18 - 16 AWG) 75°C CU |
| OLR auxiliary contact connection type / torque | Screw / 7 lb in. - 10 lb in. |
| OLR auxiliary contact solid & stranded conductors | 2 x (20 - 14 AWG) CU 60/75°C |
| Short circuit current rating: | |
| Fuses | 10kA@600V (Class H or K); 100kA@600V (Class R or J) |
| Certificates/approvals: | |
| | UL (file no. E185287) cUL (file no. E185287 for Canada) CSA (file no. 006535 C 000) ISO 9001 certification |
| Additional information: | |
| | Brochure OLR instruction sheet & trip curves |

OUTLINE 29X20X8 NEMA 3R

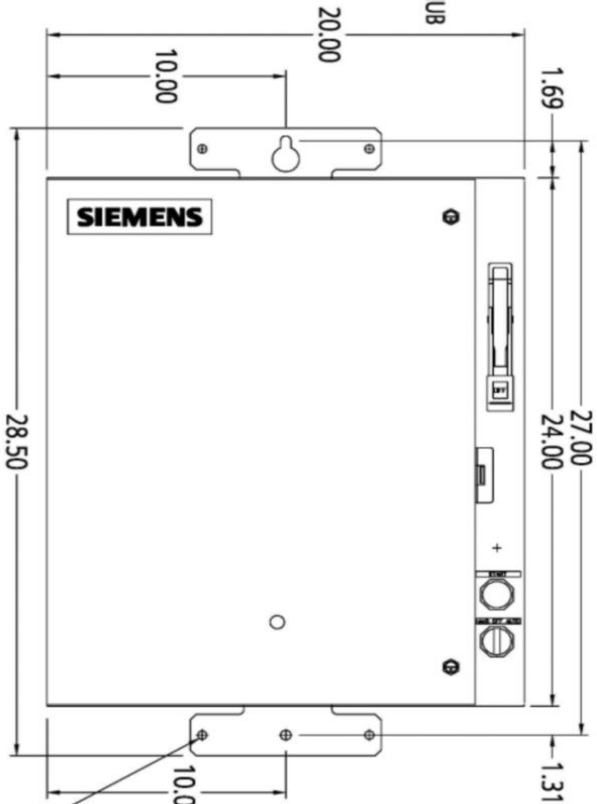
RIGHT SIDE VIEW



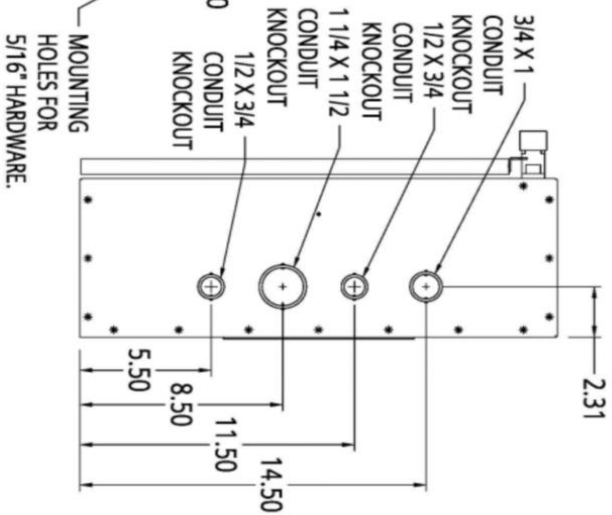
TOP VIEW



FRONT VIEW

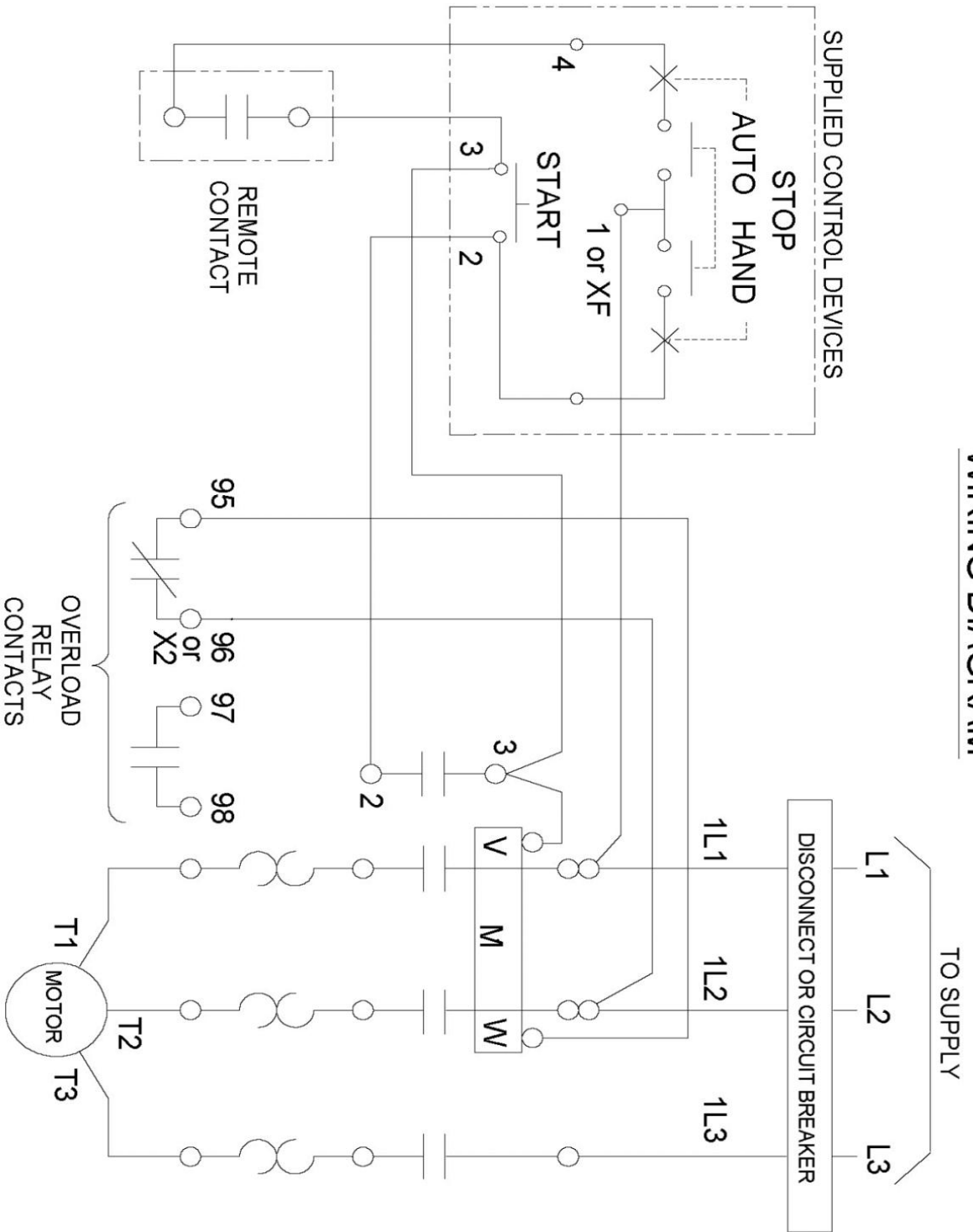


BOTTOM VIEW



DIMENSIONS ARE IN INCHES.
FILE NAME: SFIS-D68774010-0211

WIRING DIAGRAM



REF. D63677012