



# Explosion-Proof Strobe Light

## Model 27XST

Federal Signal's Model 27XST explosion-proof strobe light produces 80 high-intensity flashes per minute. This warning light operates on 24VDC and 120VAC, 50/60Hz.

The 27XST is UL Listed for Class I, Division 1, Groups C and D; Class II, Division 1, Groups E, F and G; Class I, Division 2, Groups A, B; and Class III. The 27XST is UL and cUL listed, and Marine Rated.

The 24VDC 27XST features a voltage in-rush limiting PCB design that provides greater compatibility with factory automation control systems and less electrical interference with in-rush sensitive devices.

The 27XST is Type 4X rated; constructed to IP66. Corrosion resistance is achieved with a powder coat finish applied over the copper-free aluminum housing.

Federal Signal's Model 27XST has an effective candela (ECP) of 850 and a two million peak candela. A pendant mount is supplied and a ceiling mount and 90° wall mount are available options. For easy installation, the mounting box is first installed and the fixture is then threaded onto the mounting box, making the electrical connection. Electrical continuity is made when five threads are engaged.

Federal Signal's Model 27XST is specifically designed for explosion-proof atmospheres and/or corrosive environments. Because it is easy to install and requires very low maintenance, it is ideal for use in areas such as oil rigs, mines, refineries, and chemical plants.

## DESIGNED FOR USE IN EXPLOSION-PROOF ATMOSPHERES

- Available in 24VDC and 120VAC
- Six lens colors
- 10,000 hour strobe tube
- 3/4-inch NPT pendant mount standard; other options available
- Dome guard optional
- Type 4X, IP66 enclosure
- Marine Rated
- UL and cUL Listed and CSFM Approved

## Hazardous Location Rating:

Hazardous Location	T-Code at Maximum Ambient Temperature, °C	
	40°C	65°C
<b>Class I, Div 1 &amp; 2, Groups C &amp; D</b>	T6/85°	T4A/120°
<b>Class I, Div 2, Groups A &amp; B</b>	T2/300°	T2/300°
<b>Class II, Div 1, Groups E, F &amp; G</b>	T6/85°	T4A/120°
<b>Class III</b>	T6/85°	T4A/120°

Model	Voltage	Operating Current	Flash Rate/Minute	Peak <sup>1</sup> Candela	ECP <sup>2</sup>	Mount
<b>27XST-024 *</b>	24VDC	1.90 amps (3.0 amp In-rush)	80	2,000,000	850	3/4" NPT Pendant
<b>27XST-120 *</b>	120VAC 50/60Hz	1.14 amps	80	2,000,000	850	3/4" NPT Pendant

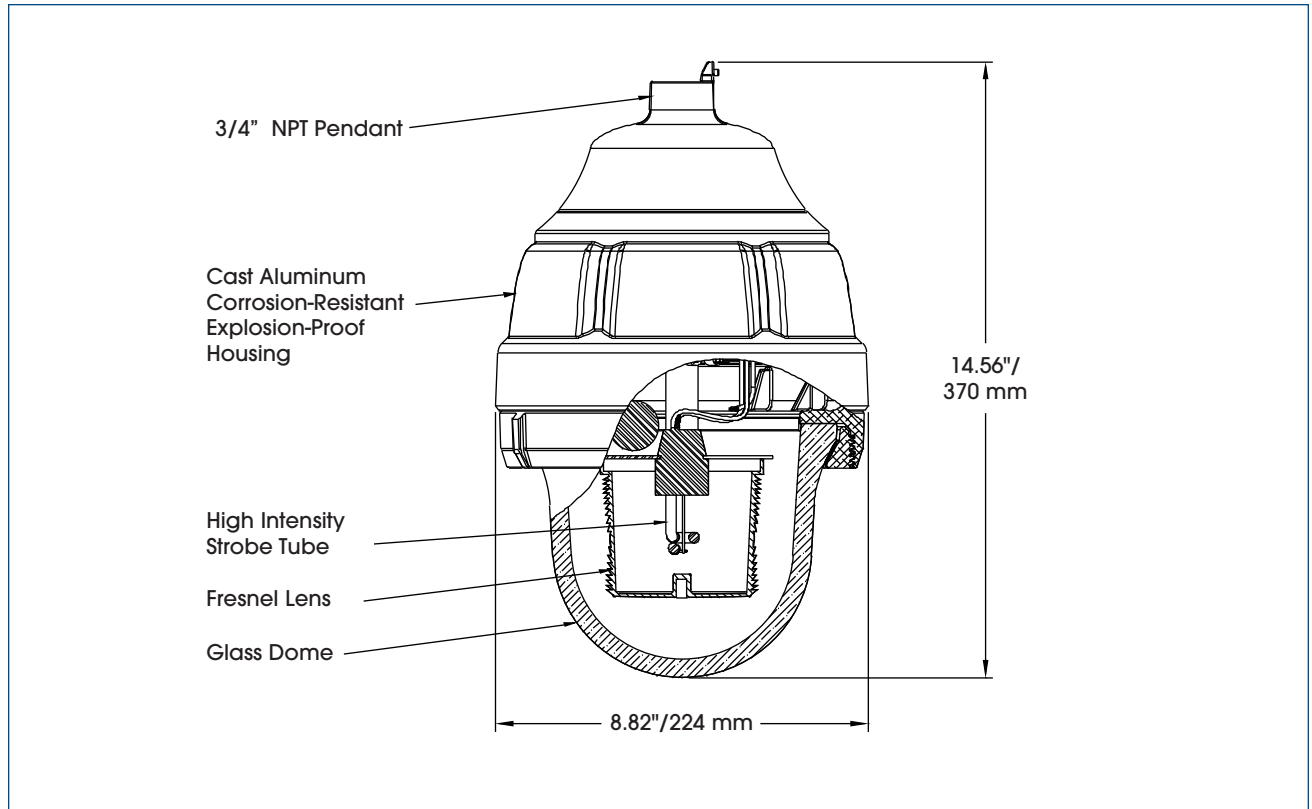


\* Indicates color: (A) Amber, (B) Blue, (C) Clear, (G) Green or (R) Red (Magenta available in 120VAC model only)

<sup>1</sup> Peak candela is the maximum light intensity generated by a flashing light during its light pulse

<sup>2</sup> ECP (Effective Candela) is the intensity that would appear to an observer if the light were burning steadily

## EXPLOSION-PROOF STROBE LIGHT (27XST)



### SPECIFICATIONS

Lamp Life:	10,000 Hours	10,000 Hours
Light Source:	Strobe tube	Strobe tube
Operating Temperature Range	-67°F to 150°F	-55°C to 65°C
Net Product Weight		
Signal without Mounting*:	13.9 lbs	6.3 kg
Ceiling Mount:	4.5 lbs	2.0 kg
Pendant Mount:	2.0 lbs	0.9 kg
Wall Mount:	5.9 lbs	2.7 kg
Height:	14.56"	370.0 mm
Diameter:	8.82"	224.0 mm

\*Pendant mount included with signal. Ceiling and wall mounts are optional.

### HOW TO ORDER

- Specify model, voltage and color (Magenta available in 120VAC only)
- Optional Accessories:  
Dome Guard (DGXC-SB)  
Ceiling Mount (CMXC-SB)  
Wall Mount (WMXC-SB)

### REPLACEMENT PARTS

<b>Description</b>	<b>Part Number</b>	<b>Description</b>	<b>Part Number</b>
Exterior Dome Assembly, Clear	K8436147A	24VDC Mechanism	K8436107F-03
Interior Lens Assembly, Amber	K8550C095A-02	120VAC Mechanism	K8436107E-02
Interior Lens Assembly, Blue	K8550C095A-01	Strobe Tube	K8107159A
Interior Lens Assembly, Green	K8550C095A-04	Pendant Mount	K8436150A
Interior Lens Assembly, Magenta (120VAC)	K8550C095A-07		
Interior Lens Assembly, Red	K8550C095A-03		