

SENTRON, Fuse switch disconnecter 3NP1, 3-pole, NH3, 630 A, for assembly and installation on mounting plate, flat terminal, cover level 70 mm

Model	
product designation	Fuse switch disconnecter
design of the safety monitoring	Without
design of the load switch strip form	No
type of the driving mechanism motor drive	No
General technical data	
number of poles	3
type of device	For assembly and installation on mounting plate
size of disconnecting link	3 and 2
size of fuse link	NH2, NH3
let-through current with closed switch maximum	60 kA
mechanical service life (operating cycles) typical	1 000
I ² t value with closed switch maximum	5 400 kA ² .s
power factor	
• at AC-22 B	0.65
• at AC-23 B	0.35
• with capacitive load	-0.25
fuse system	LV HRC fuse
degree of pollution	3
Voltage	
insulation voltage	
• rated value	690 V
• with degree of pollution 3 at AC rated value	690 V
• with degree of pollution 2 at AC rated value	1 000 V
power factor at AC-21 B	0.95
surge voltage resistance rated value	8 kV
operational current	
• at 35 °C rated value	630 A
• at 40 °C rated value	610 A
• at 45 °C rated value	575 A
• at 50 °C rated value	555 A
• at 55 °C rated value	530 A
• at AC-21 B at 240 V rated value	630 A
• at AC-21 B at 400 V rated value	630 A
• at AC-21 B at 500 V rated value	630 A
• at AC-21 B at 690 V rated value	630 A
• at AC-22 B at 240 V rated value	630 A
• at AC-22 B at 400 V rated value	630 A
• at AC-22 B at 500 V rated value	630 A
• at AC-22 B at 690 V rated value	500 A

<ul style="list-style-type: none"> • at AC-23 B at 690 V rated value • at AC-23 B at 500 V rated value • at AC-23 B at 400 V rated value • at AC-23 B at 240 V rated value • at DC-21 B at 120 V rated value • at DC-21 B at 240 V rated value • at DC-21 B at 440 V rated value • at DC-22 B at 120 V rated value • at DC-22 B at 240 V rated value • at DC-22 B at 440 V rated value • at DC-23 B at 120 V rated value • at DC-23 B at 240 V rated value • at DC-23 B at 440 V rated value 	<p>200 A</p> <p>500 A</p> <p>630 A</p> <p>630 A</p> <p>630 A</p> <p>630 A</p> <p>630 A</p> <p>630 A</p> <p>630 A</p> <p>500 A</p> <p>400 A</p> <p>400 A</p> <p>250 A</p>
let-through current with high-speed activation maximum permissible	50 kA
operating voltage	
<ul style="list-style-type: none"> • at AC rated value maximum • at DC rated value • at DC rated value maximum 	<p>690 V</p> <p>440 V</p> <p>440 V</p>
Protection class	
protection class IP	
<ul style="list-style-type: none"> • with closed switch with cover or cable lug cover • with closed switch without cover or cable lug cover • open 	<p>IP40</p> <p>IP30</p> <p>IP20</p>
Dissipation	
power loss [W]	
<ul style="list-style-type: none"> • with conventional rated thermal current without fuse per pole • with conventional rated thermal current without fuse per device • for rated value of the current at AC in hot operating state per pole • of the fuse per fuse maximum 	<p>30 W</p> <p>90 W</p> <p>78 W</p> <p>48 W</p>
Main circuit	
operational current	
<ul style="list-style-type: none"> • rated value • with capacitive load at 400 V rated value • with capacitive load at 500 V rated value 	<p>630 A</p> <p>72 A</p> <p>55 A</p>
Auxiliary circuit	
number of CO contacts for auxiliary contacts	0
number of NC contacts for auxiliary contacts	0
number of NO contacts for auxiliary contacts	0
Suitability	
suitability for use	
<ul style="list-style-type: none"> • main switch • switch disconnecter • EMERGENCY OFF switch • safety switch • maintenance/repair switch 	<p>No</p> <p>Yes</p> <p>No</p> <p>Yes</p> <p>Yes</p>
Product details	
product function phase failure monitoring	No
product component	
<ul style="list-style-type: none"> • undervoltage release • undervoltage release with leading contact 	<p>No</p> <p>No</p>
product feature sealable	Yes
product extension auxiliary switch	Yes
product extension optional	
<ul style="list-style-type: none"> • locking capability • phase failure monitoring • fuse monitoring • voltage trigger • overvoltage protection monitoring 	<p>Yes</p> <p>Yes</p> <p>Yes</p> <p>No</p> <p>Yes</p>

Product function

product function overvoltage protection monitoring No

Short circuit

conditional short-circuit current (Iq)

- at AC at 240 V with high-speed activation rated value 50 kA
- at AC at 500 V with high-speed activation rated value 50 kA
- at AC at 690 V with high-speed activation rated value 50 kA
- with closed switch at AC at 240 V rated value 100 kA
- with closed switch at AC at 500 V rated value 100 kA
- with closed switch at AC at 690 V rated value 100 kA

Connections

arrangement of electrical connectors for main current circuit other

- connectable conductor cross-section for main contacts
- solid or stranded minimum 120 mm²
 - solid or stranded maximum 300 mm²
 - stranded minimum 120 mm²
 - stranded maximum 300 mm²

- tightening torque with screw-type terminals
- minimum 10 N·m
 - maximum 12 N·m

type of connectable conductor cross-sections of the laminated conductors maximum 40 x 18 mm

type of connection technology Flat terminal

Mechanical Design

height 306 mm

width 249.4 mm

depth 138.5 mm

fastening method mounting plate

- fastening method**
- floor mounting Yes
 - rail mounting No

mounting position horizontal/vertical

net weight 4.63 kg

Environmental conditions

- ambient temperature during operation
- minimum -25 °C
 - maximum 55 °C

- ambient temperature during storage
- minimum -50 °C
 - maximum 80 °C

Certificates

reference code according to IEC 81346-2 Q

Approvals Certificates

General Product Approval



[Confirmation](#)



General Product Approval Test Certificates Marine / Shipping

[Miscellaneous](#)



[Special Test Certificate](#)

[Type Test Certificates/Test Report](#)



other Environment

[Miscellaneous](#)

[Confirmation](#)

[Environmental Con-](#)

[Environmental Con-](#)

Further information**Information on the packaging**

<https://support.industry.siemens.com/cs/ww/en/view/109813875>

Information- and Downloadcenter (Catalogs, Brochures,...)

<http://www.siemens.com/lowvoltage/catalogs>

Industry Mall (Online ordering system)

<https://mall.industry.siemens.com/mall/en/en/Catalog/product?mlfb=3NP1163-1DA10>

Service&Support (Manuals, Certificates, Characteristics, FAQs,...)

<https://support.industry.siemens.com/cs/ww/en/ps/3NP1163-1DA10>

Image database (product images, 2D dimension drawings, 3D models, device circuit diagrams, ...)

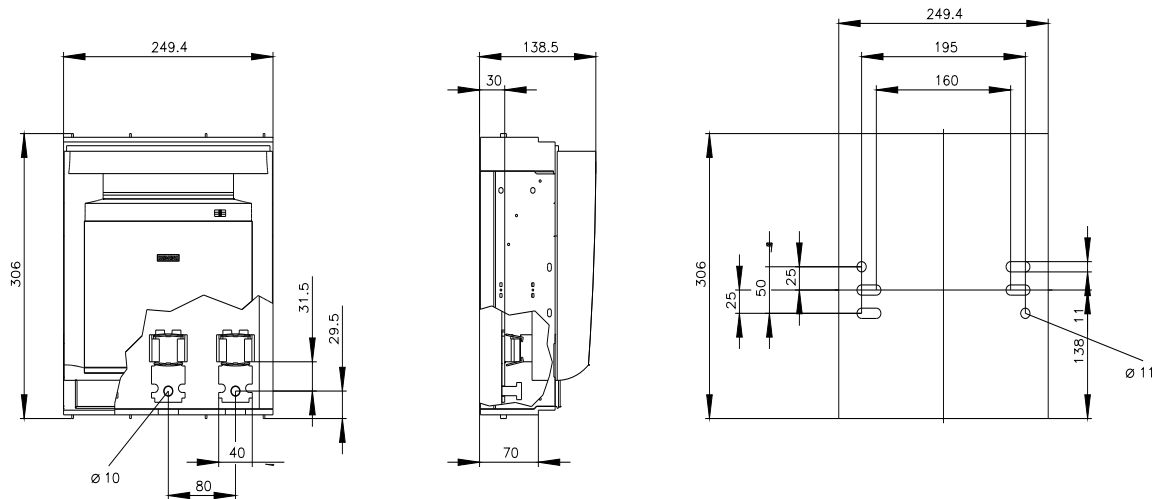
http://www.automation.siemens.com/bilddb/cax_en.aspx?mlfb=3NP1163-1DA10

CAX-Online-Generator

<http://www.siemens.com/cax>

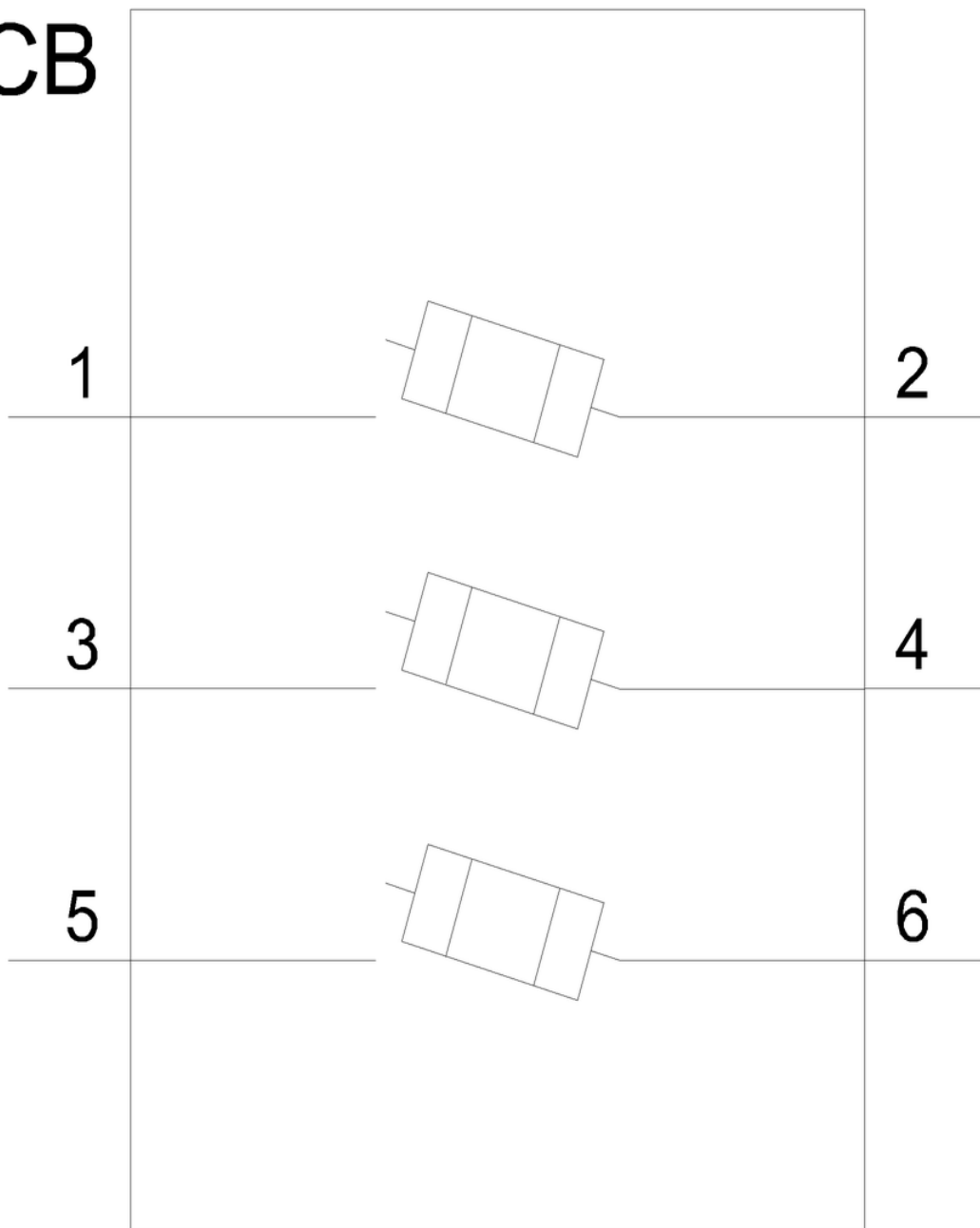
Tender specifications

<http://www.siemens.com/specifications>





CB



last modified:

9/28/2024 

