

Basic module for AS-i, Reversing start, screw terminal, Installation on contactors 3RT2 Communication-capable contactor required



General technical data:		
Product brand name		Sirius
Product designation		Basic module
Design of the product		AS-i
Size of contactor can be combined company-specific		S00, S0, S2, S3
Protection class IP on the front		IP20
Degree of pollution		3
Insulation voltage with degree of pollution 3 rated value	V	690
Installation altitude at height above sea level maximum	m	2 000
Ambient temperature		
• during storage	°C	-40 ... +80
• during operation	°C	-25 ... +60
• during transport	°C	-40 ... +80
EMI immunity acc. to IEC 60947-1		ambience A (industrial sector)
EMC emitted interference acc. to IEC 60947-1		CISPR11, ambience A (industrial sector)
Conducted interference due to burst acc. to IEC 61000-4-4		2 kV network connection / 1 kV control connection

Conducted interference due to conductor-earth surge acc. to IEC 61000-4-5		1 kV
Conducted interference due to conductor-conductor surge acc. to IEC 61000-4-5		0.5 kV
Electrostatic discharge acc. to IEC 61000-4-2		8 kV
Field-bound parasitic coupling acc. to IEC 61000-4-3		10 V/m
<b>Shock resistance</b>		11g / 15 ms
<b>Vibration resistance</b>		10 ... 55 Hz / 0.35 mm
<b>Reference identifier acc. to DIN 40719 extended according to IEC 204-2 acc. to IEC 750</b>		K
<b>Reference identifier acc. to DIN EN 61346-2</b>		K
<b>Suitability for use</b>		
• direct starter		No
• star-delta starter		No
• reversing starter		Yes

#### Communication/ Protocol:

<b>Product function</b>		
• Bus communication		Yes
• Control circuit interface with AS interface		Yes

#### Control circuit/ Control:

<b>Design of the surge suppressor</b>		Varistor
<b>Type of voltage of the control supply voltage</b>		DC
<b>Control supply voltage 1 at DC rated value</b>	V	24

#### Installation/ mounting/ dimensions:

<b>Mounting position</b>		any
<b>Mounting type</b>		can be plugged into contactor
<b>Width</b>	mm	45
<b>Height</b>	mm	37
<b>Depth</b>	mm	75

#### Connections/ Terminals:

Product function removable terminal for auxiliary and control circuit		Yes
Type of electrical connection for auxiliary and control current circuit		screw-type terminals
<b>Type of connectable conductor cross-sections</b>		
• for auxiliary contacts		
— solid		0.5 ... 4 mm <sup>2</sup> , 2x (0.5 ... 2.5 mm <sup>2</sup> )
— finely stranded		
— with core end processing		1x (0.5 ... 2.5 mm <sup>2</sup> ), 2x (0.5 ... 1.5 mm <sup>2</sup> )
• at AWG conductors for auxiliary contacts		2x (20 ... 14)

#### Certificates/ approvals:

General Product Approval	Declaration of Conformity	Test Certificates
--------------------------	---------------------------	-------------------



CSA



UL



EG-Konf.

[Miscellaneous](#)
[Type Test Certificates/Test Report](#)

Shipping Approval	other
-------------------	-------



ABS

BUREAU  
VERITAS

LRS



RMRS



ASi

[Confirmation](#)

### Further information

#### Information- and Downloadcenter (Catalogs, Brochures,...)

<http://www.siemens.com/industrial-controls/catalogs>

#### Industry Mall (Online ordering system)

<http://www.siemens.com/industrymall>

#### Cax online generator

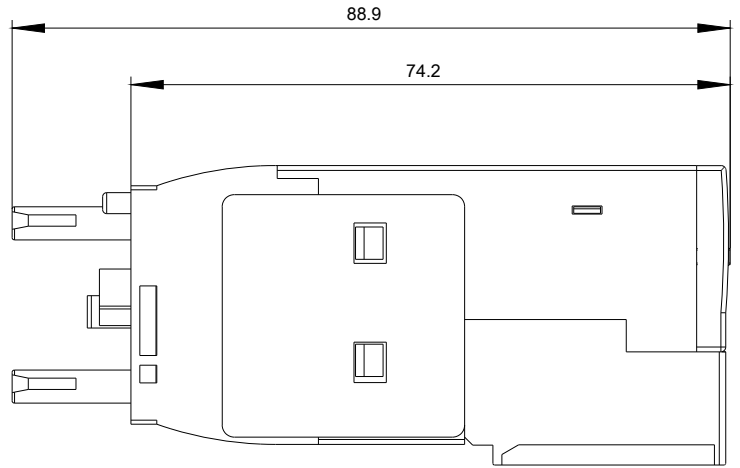
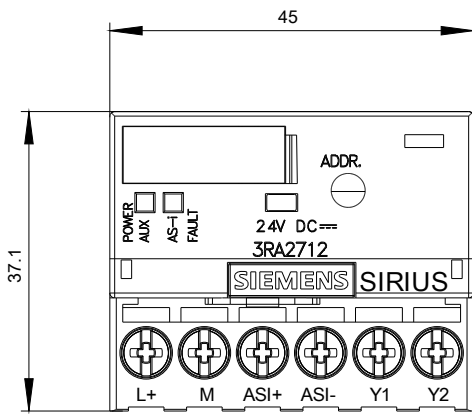
<http://support.automation.siemens.com/WW/CAXorder/default.aspx?lang=en&mlfb=3RA2712-1BB00>

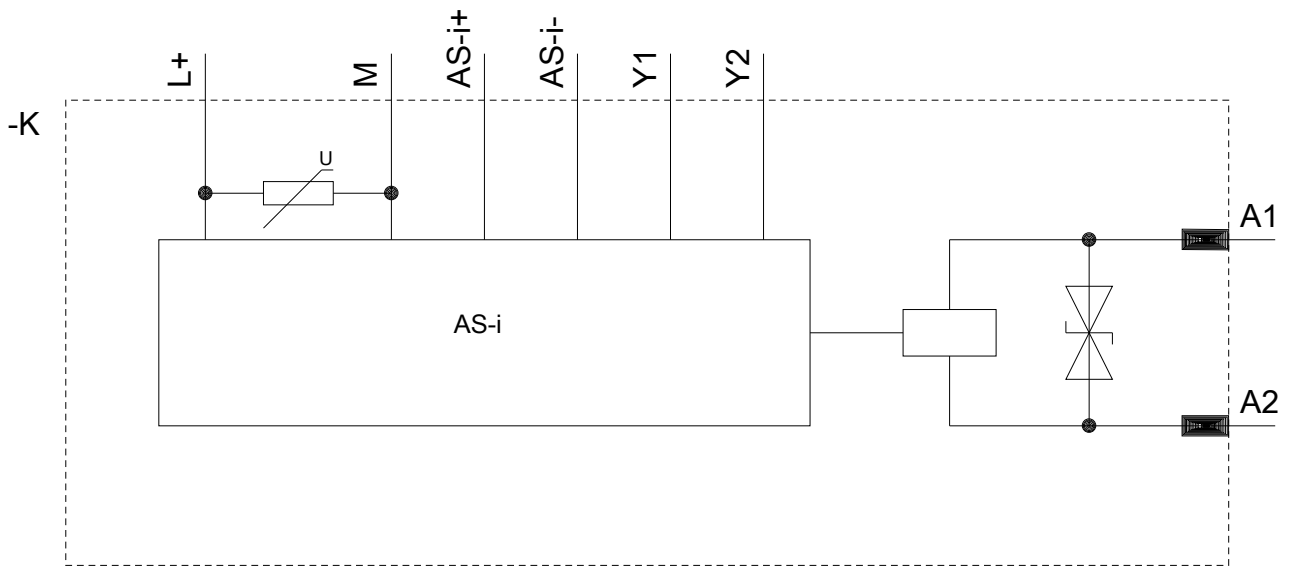
#### Service&Support (Manuals, Certificates, Characteristics, FAQs,...)

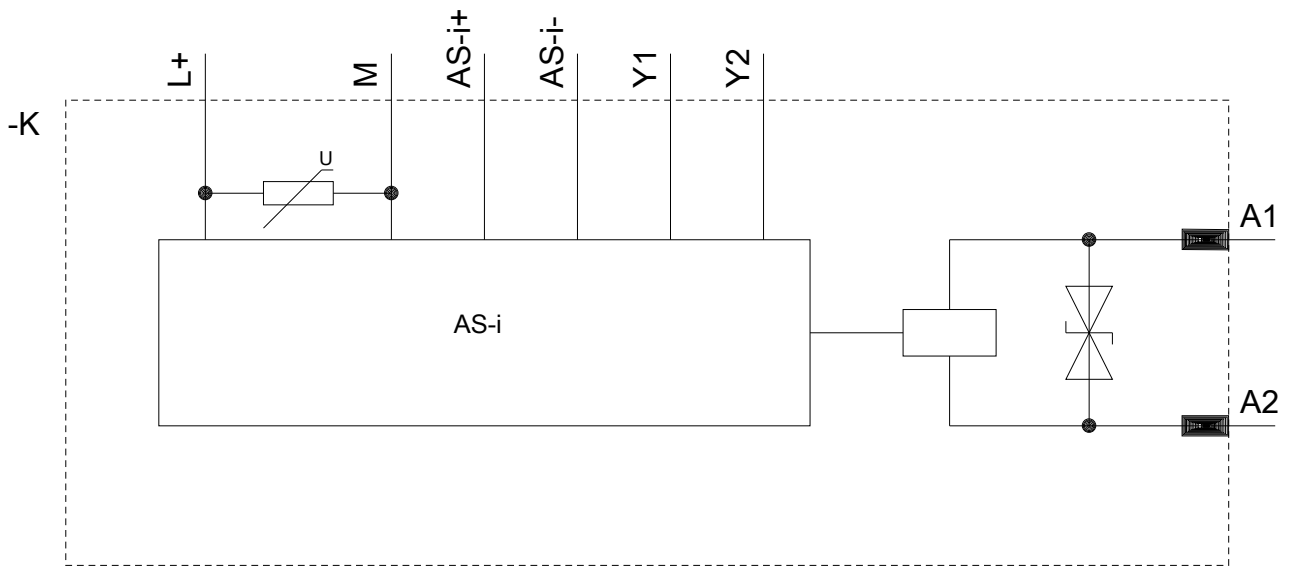
<https://support.industry.siemens.com/cs/ww/en/ps/3RA2712-1BB00>

#### Image database (product images, 2D dimension drawings, 3D models, device circuit diagrams, EPLAN macros, ...)

[http://www.automation.siemens.com/bilddb/cax\\_de.aspx?mlfb=3RA2712-1BB00&lang=en](http://www.automation.siemens.com/bilddb/cax_de.aspx?mlfb=3RA2712-1BB00&lang=en)







last modified:

11/15/2019