



Figure similar

SITOR fuse link, with female thread on both sides, In: 315 A, aR, Un AC: 800 V, Un DC: 440 V, front indicator

| Model | | |
|--|--|-------|
| product brand name | SENTRON | |
| product designation | SITOR fuse link | |
| design of the product | With female thread on both sides | |
| design of an identification indicator | front indicator | |
| design of the switching contact | with female thread at both ends for SITOR 6QG12 thyristor sets | |
| design of the fuse link | Fuses for special applications | |
| General technical data | | |
| size of fuse system according to EN 60269-1 | others | |
| operating class of the fuse link | aR | |
| varying load factor (WL) | 0.85 | |
| type of voltage of the operating voltage | AC/DC | |
| operating voltage at AC according to UL rated value | 800 V | |
| Supply voltage | | |
| supply voltage | | |
| • at AC | 800 V | |
| • at DC | 440 V | |
| Breaking Capacity | | |
| switching capacity current | | |
| • according to IEC 60947-2 rated value | 100 kA | |
| Dissipation | | |
| power loss [W] | 120 W | |
| power loss [W] | | |
| • for rated value of the current at AC in hot operating state per pole | 120 W | |
| • maximum | 120 W | |
| Product details | | |
| product description | with female thread on both sides, silver-plated | |
| accessories included | no | |
| Mechanical Design | | |
| mounting position | Any, preferably vertical | |
| net weight | 690 g | |
| Environmental conditions | | |
| ambient temperature during operation | | |
| • minimum | -20 °C | |
| • maximum | 50 °C | |
| environmental category | -20 to +50 at 95% relative humidity | |
| Approvals Certificates | | |
| General Product Approval | Test Certificates | other |



[Confirmation](#)



[Special Test Certificate](#)

[Miscellaneous](#)

other

Environment

[Confirmation](#)

[Miscellaneous](#)

[Environmental Confirmations](#)

[Environmental Confirmations](#)

Further information

Information on the packaging

<https://support.industry.siemens.com/cs/ww/en/view/109813875>

Information- and Downloadcenter (Catalogs, Brochures,...)

<http://www.siemens.com/lowvoltage/catalogs>

Industry Mall (Online ordering system)

<https://mall.industry.siemens.com/mall/en/en/Catalog/product?mlfb=3NE4330-6B>

Service&Support (Manuals, Certificates, Characteristics, FAQs,...)

<https://support.industry.siemens.com/cs/ww/en/ps/3NE4330-6B>

Image database (product images, 2D dimension drawings, 3D models, device circuit diagrams, ...)

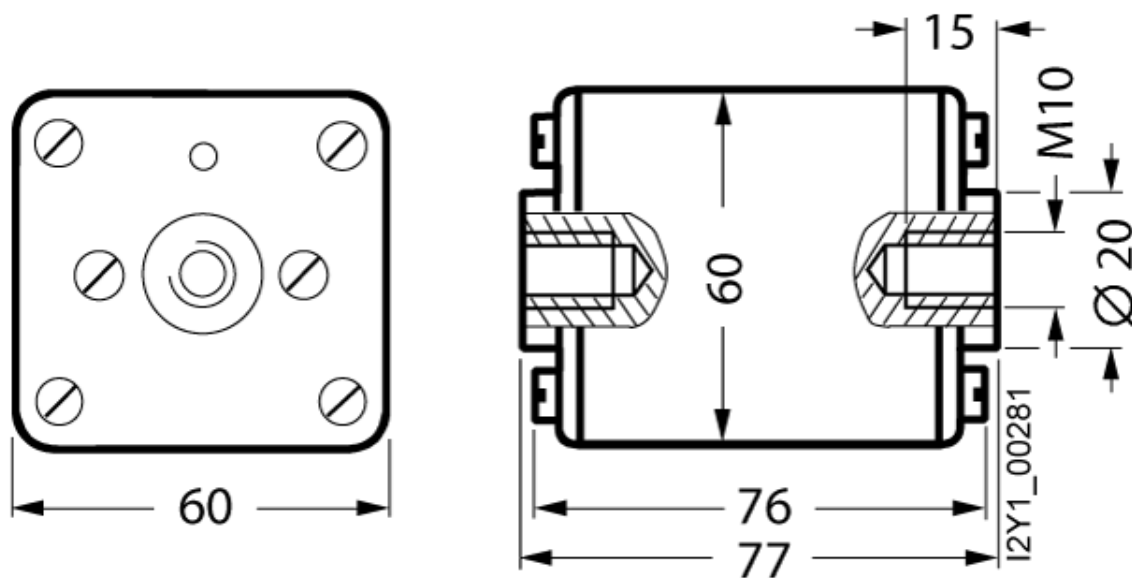
http://www.automation.siemens.com/bilddb/cax_en.aspx?mlfb=3NE4330-6B

CAX-Online-Generator

<http://www.siemens.com/cax>

Tender specifications

<http://www.siemens.com/specifications>



last modified:

3/11/2024

