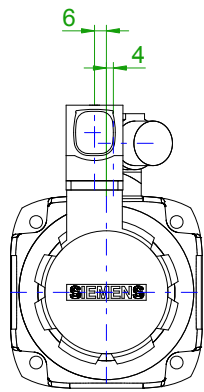
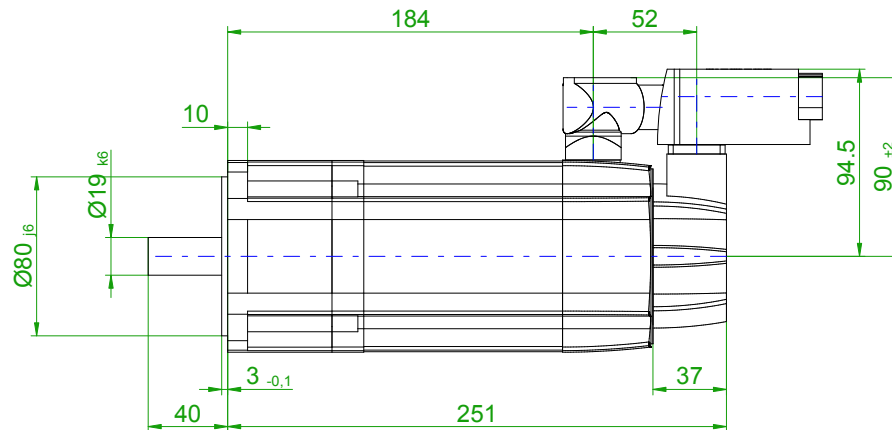
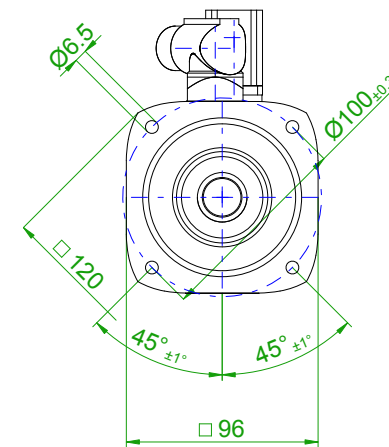


back view



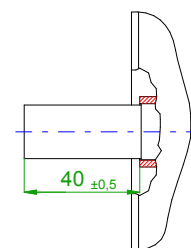
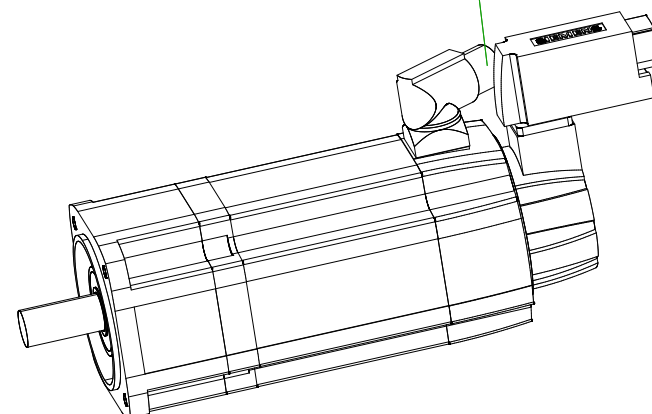
front view

center hole
DIN 332-DR M6

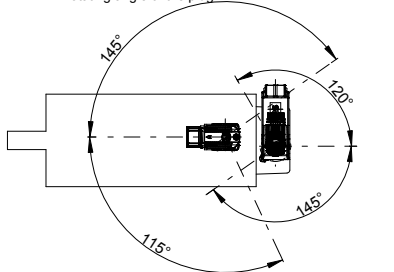


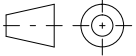
6-pole plug size 1
for power and brake

10-pole
signal plug



rotating angle of the plug



| | | | |
|---|---|----------------------|--|
|  | | SIEMENS | |
| Einheit / unit: mm | Synchron-Servomotor Synchronous Servo Motor: | 1FT7044-5AF71-1FH1-Z | |
| nicht tolerierte Maße / not toleranced dimensions: ±1 | Optionen / options: | X09 | |
| | Gewicht / mass: | 8.1 kg | |
| Maßstab / scale: ohne / without | Bemerkung / notice: | | |
| CAD CREATOR 2.2 (WWW-Version V02.20.00.00) | Druckdatum / print date: | 13.02.2020 | |