

Siemens
EcoTech



SIRIUS soft starter 200-600 V 171 A, 110-250 V AC Screw terminals Thermistor input



product brand name	SIRIUS
product category	Hybrid switching devices
product designation	Soft starter
product type designation	3RW50
manufacturer's article number	
<ul style="list-style-type: none"> • of standard HMI module usable • of high feature HMI module usable • of communication module PROFINET standard usable • of communication module PROFIBUS usable • of communication module Modbus TCP usable • of communication module Modbus RTU usable • of communication module Ethernet/IP • of circuit breaker usable at 400 V • of circuit breaker usable at 500 V • of the gG fuse usable up to 690 V • of full range R fuse link for semiconductor protection usable up to 690 V • of back-up R fuse link for semiconductor protection usable up to 690 V • of line contactor usable up to 480 V • of line contactor usable up to 690 V 	<ul style="list-style-type: none"> 3RW5980-0HS01 3RW5980-0HF00 3RW5980-0CS00 3RW5980-0CP00 3RW5980-0CT00 3RW5980-0CR00 3RW5980-0CE00 3VA2220-7MN32-0AA0; Type of assignment 1, Iq = 20 kA 3VA2220-7MN32-0AA0; Type of assignment 1, Iq = 20 kA 3NA3244-6; Type of coordination 1, Iq = 65 kA 3NE1 230-0; Type of coordination 2, Iq = 65 kA 3NE3 335; Type of coordination 2, Iq = 65 kA 3RT1056 3RT1064
General technical data	
starting voltage [%]	30 ... 100 %
stopping voltage [%]	50 %; non-adjustable
start-up ramp time of soft starter	0 ... 20 s
ramp-down time of soft starter	0 ... 20 s
current limiting value [%] adjustable	130 ... 700 %
certificate of suitability	
<ul style="list-style-type: none"> • CE marking • UL approval • CSA approval 	<ul style="list-style-type: none"> Yes Yes Yes
product component	
<ul style="list-style-type: none"> • HMI-High Feature • is supported HMI-Standard • is supported HMI-High Feature 	<ul style="list-style-type: none"> No Yes Yes
product feature integrated bypass contact system	Yes
number of controlled phases	2
buffering time in the event of power failure	

<ul style="list-style-type: none"> • for main current circuit 	100 ms
<ul style="list-style-type: none"> • for control circuit 	100 ms
insulation voltage rated value	600 V
degree of pollution	3, acc. to IEC 60947-4-2
impulse voltage rated value	6 kV
blocking voltage of the thyristor maximum	1 800 V
service factor	1
surge voltage resistance rated value	6 kV
maximum permissible voltage for protective separation	
<ul style="list-style-type: none"> • between main and auxiliary circuit 	600 V
shock resistance	15 g / 11 ms, from 12 g / 11 ms with potential contact lifting
vibration resistance	15 mm to 6 Hz; 2g to 500 Hz
utilization category according to IEC 60947-4-2	AC-53a
reference code according to IEC 81346-2	Q
Substance Prohibitance (Date)	09/23/2019
SVHC substance name	Lead - 7439-92-1 Lead monoxide (lead oxide) - 1317-36-8 2-methyl-1-(4-methylthiophenyl)-2-morpholinopropan-1-one - 71868-10-5
Weight	5.8 kg
product function	
<ul style="list-style-type: none"> • ramp-up (soft starting) 	Yes
<ul style="list-style-type: none"> • ramp-down (soft stop) 	Yes
<ul style="list-style-type: none"> • Soft Torque 	Yes
<ul style="list-style-type: none"> • adjustable current limitation 	Yes
<ul style="list-style-type: none"> • pump ramp down 	Yes
<ul style="list-style-type: none"> • intrinsic device protection 	Yes
<ul style="list-style-type: none"> • motor overload protection 	Yes; Full motor protection (thermistor motor protection and electronic motor overload protection)
<ul style="list-style-type: none"> • evaluation of thermistor motor protection 	Yes; Type A PTC or Klixon / Thermoclick
<ul style="list-style-type: none"> • auto-RESET 	Yes
<ul style="list-style-type: none"> • manual RESET 	Yes
<ul style="list-style-type: none"> • remote reset 	Yes; By turning off the control supply voltage
<ul style="list-style-type: none"> • communication function 	Yes
<ul style="list-style-type: none"> • operating measured value display 	Yes; Only in conjunction with special accessories
<ul style="list-style-type: none"> • error logbook 	Yes; Only in conjunction with special accessories
<ul style="list-style-type: none"> • via software parameterizable 	No
<ul style="list-style-type: none"> • via software configurable 	Yes
<ul style="list-style-type: none"> • PROFInergy 	Yes; in connection with the PROFINET Standard communication module
<ul style="list-style-type: none"> • voltage ramp 	Yes
<ul style="list-style-type: none"> • torque control 	No
<ul style="list-style-type: none"> • analog output 	No
Power Electronics	
operational current	
<ul style="list-style-type: none"> • at 40 °C rated value 	171 A
<ul style="list-style-type: none"> • at 50 °C rated value 	153 A
<ul style="list-style-type: none"> • at 60 °C rated value 	141 A
operating voltage	
<ul style="list-style-type: none"> • rated value 	200 ... 600 V
relative negative tolerance of the operating voltage	-15 %
relative positive tolerance of the operating voltage	10 %
operating power for 3-phase motors	
<ul style="list-style-type: none"> • at 230 V at 40 °C rated value 	45 kW
<ul style="list-style-type: none"> • at 400 V at 40 °C rated value 	90 kW
<ul style="list-style-type: none"> • at 500 V at 40 °C rated value 	110 kW
Operating frequency 1 rated value	50 Hz
Operating frequency 2 rated value	60 Hz
relative negative tolerance of the operating frequency	-10 %
relative positive tolerance of the operating frequency	10 %
adjustable motor current	
<ul style="list-style-type: none"> • at rotary coding switch on switch position 1 	81 A
<ul style="list-style-type: none"> • at rotary coding switch on switch position 2 	87 A
<ul style="list-style-type: none"> • at rotary coding switch on switch position 3 	93 A

<ul style="list-style-type: none"> • at rotary coding switch on switch position 4 • at rotary coding switch on switch position 5 • at rotary coding switch on switch position 6 • at rotary coding switch on switch position 7 • at rotary coding switch on switch position 8 • at rotary coding switch on switch position 9 • at rotary coding switch on switch position 10 • at rotary coding switch on switch position 11 • at rotary coding switch on switch position 12 • at rotary coding switch on switch position 13 • at rotary coding switch on switch position 14 • at rotary coding switch on switch position 15 • at rotary coding switch on switch position 16 • minimum 	99 A 105 A 111 A 117 A 123 A 129 A 135 A 141 A 147 A 153 A 159 A 165 A 171 A 81 A
minimum load [%]	15 %; Relative to smallest settable le
power loss [W] for rated value of the current at AC	
<ul style="list-style-type: none"> • at 40 °C after startup • at 50 °C after startup • at 60 °C after startup 	29 W 23 W 20 W
power loss [W] at AC at current limitation 350 %	
<ul style="list-style-type: none"> • at 40 °C during startup • at 50 °C during startup • at 60 °C during startup 	1 751 W 1 478 W 1 308 W
type of the motor protection	Electronic, tripping in the event of thermal overload of the motor
Control circuit/ Control	
type of voltage of the control supply voltage	AC
control supply voltage at AC	
<ul style="list-style-type: none"> • at 50 Hz • at 60 Hz 	110 ... 250 V 110 ... 250 V
relative negative tolerance of the control supply voltage at AC at 50 Hz	-15 %
relative positive tolerance of the control supply voltage at AC at 50 Hz	10 %
relative negative tolerance of the control supply voltage at AC at 60 Hz	-15 %
relative positive tolerance of the control supply voltage at AC at 60 Hz	10 %
control supply voltage frequency	50 ... 60 Hz
relative negative tolerance of the control supply voltage frequency	-10 %
relative positive tolerance of the control supply voltage frequency	10 %
control supply current in standby mode rated value	30 mA
holding current in bypass operation rated value	80 mA
inrush current by closing the bypass contacts maximum	2.5 A
inrush current peak at application of control supply voltage maximum	12.2 A
duration of inrush current peak at application of control supply voltage	2.2 ms
design of the overvoltage protection	Varistor
design of short-circuit protection for control circuit	4 A gG fuse (I _{cu} =1 kA), 6 A quick-acting fuse (I _{cu} =1 kA), C1 miniature circuit breaker (I _{cu} = 600 A), C6 miniature circuit breaker (I _{cu} = 300 A); Is not part of scope of supply
Inputs/ Outputs	
number of digital inputs	1
number of digital outputs	3
<ul style="list-style-type: none"> • not parameterizable 	2
digital output version	2 normally-open contacts (NO) / 1 changeover contact (CO)
number of analog outputs	0
switching capacity current of the relay outputs	
<ul style="list-style-type: none"> • at AC-15 at 250 V rated value • at DC-13 at 24 V rated value 	3 A 1 A
Installation/ mounting/ dimensions	
mounting position	with vertical mounting surface +/-90° rotatable, with vertical mounting surface

	+/- 22.5° tiltable to the front and back
fastening method	screw fixing
height	198 mm
width	120 mm
depth	249 mm
required spacing with side-by-side mounting	
<ul style="list-style-type: none"> • forwards • backwards • upwards • downwards • at the side 	<ul style="list-style-type: none"> 10 mm 0 mm 100 mm 75 mm 5 mm
weight without packaging	5.2 kg
Connections/ Terminals	
type of electrical connection	
<ul style="list-style-type: none"> • for main current circuit • for control circuit 	<ul style="list-style-type: none"> busbar connection screw-type terminals
width of connection bar maximum	25 mm
wire length for thermistor connection	
<ul style="list-style-type: none"> • with conductor cross-section = 0.5 mm² maximum • with conductor cross-section = 1.5 mm² maximum • with conductor cross-section = 2.5 mm² maximum 	<ul style="list-style-type: none"> 50 m 150 m 250 m
type of connectable conductor cross-sections for main contacts for box terminal	
<ul style="list-style-type: none"> • using the front clamping point solid • using the front clamping point finely stranded with core end processing • using the front clamping point finely stranded without core end processing • using the front clamping point stranded • using the back clamping point solid • r box terminal using the back clamping point • using both clamping points solid • using both clamping points finely stranded with core end processing • using both clamping points finely stranded without core end processing • using both clamping points stranded • using the back clamping point finely stranded with core end processing • using the back clamping point finely stranded without core end processing • using the back clamping point stranded 	<ul style="list-style-type: none"> 16 ... 120 mm² 16 ... 120 mm² 10 ... 120 mm² 16 ... 70 mm² 16 ... 120 mm² 6 ... 250 kcmil max. 1x 95 mm², 1x 120 mm² max. 1x 95 mm², 1x 120 mm² max. 1x 95 mm², 1x 120 mm² max. 2x 120 mm² 16 ... 120 mm² 10 ... 120 mm² 16 ... 120 mm²
type of connectable conductor cross-sections	
<ul style="list-style-type: none"> • for AWG cables for main current circuit solid • for DIN cable lug for main contacts stranded • for DIN cable lug for main contacts finely stranded 	<ul style="list-style-type: none"> 4 ... 250 kcmil 16 ... 95 mm² 25 ... 120 mm²
type of connectable conductor cross-sections	
<ul style="list-style-type: none"> • for control circuit solid • for control circuit finely stranded with core end processing • for AWG cables for control circuit solid 	<ul style="list-style-type: none"> 1x (0.5 ... 4.0 mm²), 2x (0.5 ... 2.5 mm²) 1x (0.5 ... 2.5 mm²), 2x (0.5 ... 1.5 mm²) 1x (20 ... 12), 2x (20 ... 14)
wire length	
<ul style="list-style-type: none"> • between soft starter and motor maximum • at the digital inputs at AC maximum 	<ul style="list-style-type: none"> 800 m 1 000 m
tightening torque	
<ul style="list-style-type: none"> • for main contacts with screw-type terminals • for auxiliary and control contacts with screw-type terminals 	<ul style="list-style-type: none"> 10 ... 14 N·m 0.8 ... 1.2 N·m
tightening torque [lbf·in]	
<ul style="list-style-type: none"> • for main contacts with screw-type terminals • for auxiliary and control contacts with screw-type terminals 	<ul style="list-style-type: none"> 89 ... 124 lbf·in 7 ... 10.3 lbf·in
Ambient conditions	
installation altitude at height above sea level maximum	5 000 m; derating as of 1000 m, see Manual

ambient temperature	
<ul style="list-style-type: none"> during operation during storage and transport 	-25 ... +60 °C; Please observe derating at temperatures of 40 °C or above -40 ... +80 °C
environmental category	
<ul style="list-style-type: none"> during operation according to IEC 60721 during storage according to IEC 60721 during transport according to IEC 60721 	3K6 (no ice formation, only occasional condensation), 3C3 (no salt mist), 3S2 (sand must not get into the devices), 3M6 1K6 (only occasional condensation), 1C2 (no salt mist), 1S2 (sand must not get inside the devices), 1M4 2K2, 2C1, 2S1, 2M2 (max. fall height 0.3 m)
Environmental footprint	
Siemens Eco Profile (SEP)	Siemens EcoTech
EMC emitted interference	acc. to IEC 60947-4-2: Class A
Communication/ Protocol	
communication module is supported	
<ul style="list-style-type: none"> PROFINET standard EtherNet/IP Modbus RTU Modbus TCP PROFIBUS 	Yes Yes Yes Yes Yes
UL/CSA ratings	
manufacturer's article number	
<ul style="list-style-type: none"> of circuit breaker <ul style="list-style-type: none"> — usable for Standard Faults at 460/480 V according to UL — usable for High Faults at 460/480 V according to UL of the fuse <ul style="list-style-type: none"> — usable for Standard Faults up to 575/600 V according to UL — usable for High Faults up to 575/600 V according to UL 	Siemens type: 3VA5225, max. 250 A; Iq = 10 kA Siemens type: 3VA52, max. 250 A; Iq max = 65 kA Type: Class RK5 / K5, max. 400 A; Iq = 10 kA Type: Class J, max. 350 A; Iq = 100 kA
operating power [hp] for 3-phase motors	
<ul style="list-style-type: none"> at 200/208 V at 50 °C rated value at 220/230 V at 50 °C rated value at 460/480 V at 50 °C rated value at 575/600 V at 50 °C rated value 	50 hp 50 hp 100 hp 150 hp
Electrical Safety	
protection class IP on the front according to IEC 60529	IP00; IP20 with cover
touch protection on the front according to IEC 60529	finger-safe, for vertical contact from the front with cover
ATEX	
Safety Integrity Level (SIL) according to IEC 61508 relating to ATEX	SIL1
PFHD with high demand rate according to IEC 61508 relating to ATEX	9E-6 1/h
PFDavg with low demand rate according to IEC 61508 relating to ATEX	0.09
hardware fault tolerance according to IEC 61508 relating to ATEX	0
T1 value for proof test interval or service life according to IEC 61508 relating to ATEX	3 a
certificate of suitability	
<ul style="list-style-type: none"> ATEX IECEx UKEX 	Yes Yes Yes
Approvals Certificates	
General Product Approval	



[Confirmation](#)



EMV

For use in hazardous locations

Test Certificates

Marine / Shipping

Marine / Shipping other Environment



[Confirmation](#)

Siemens EcoTech



[Environmental Confirmations](#)

Further information

Information on the packaging

<https://support.industry.siemens.com/cs/ww/en/view/109813875>

Information- and Downloadcenter (Catalogs, Brochures,...)

<https://www.siemens.com/ic10>

Industry Mall (Online ordering system)

<https://mall.industry.siemens.com/mall/en/en/Catalog/product?mlfb=3RW5056-6TB15>

Cax online generator

<http://support.automation.siemens.com/WW/CAXorder/default.aspx?lang=en&mlfb=3RW5056-6TB15>

Service&Support (Manuals, Certificates, Characteristics, FAQs,...)

<https://support.industry.siemens.com/cs/ww/en/ps/3RW5056-6TB15>

Image database (product images, 2D dimension drawings, 3D models, device circuit diagrams, EPLAN macros, ...)

http://www.automation.siemens.com/bilddb/cax_de.aspx?mlfb=3RW5056-6TB15&lang=en

Characteristic: Tripping characteristics, I²t, Let-through current

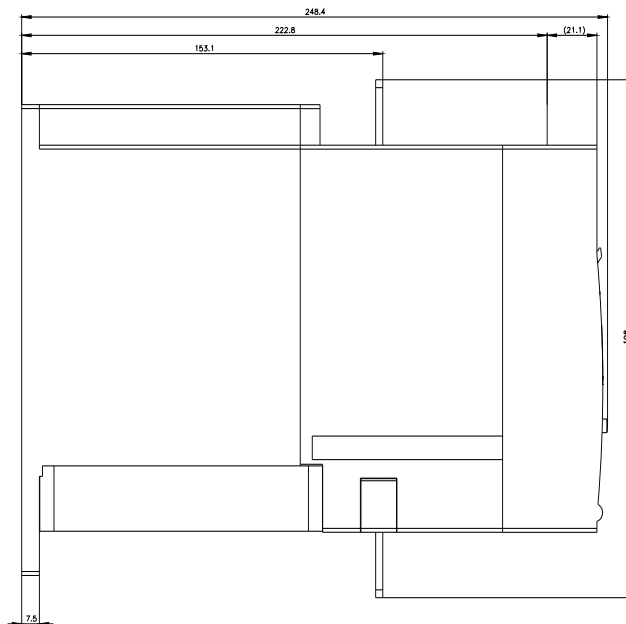
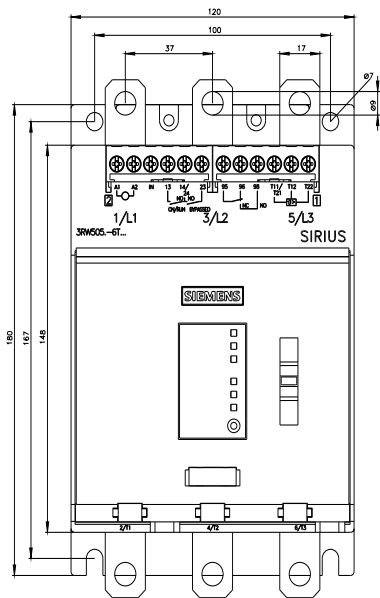
<https://support.industry.siemens.com/cs/ww/en/ps/3RW5056-6TB15/char>

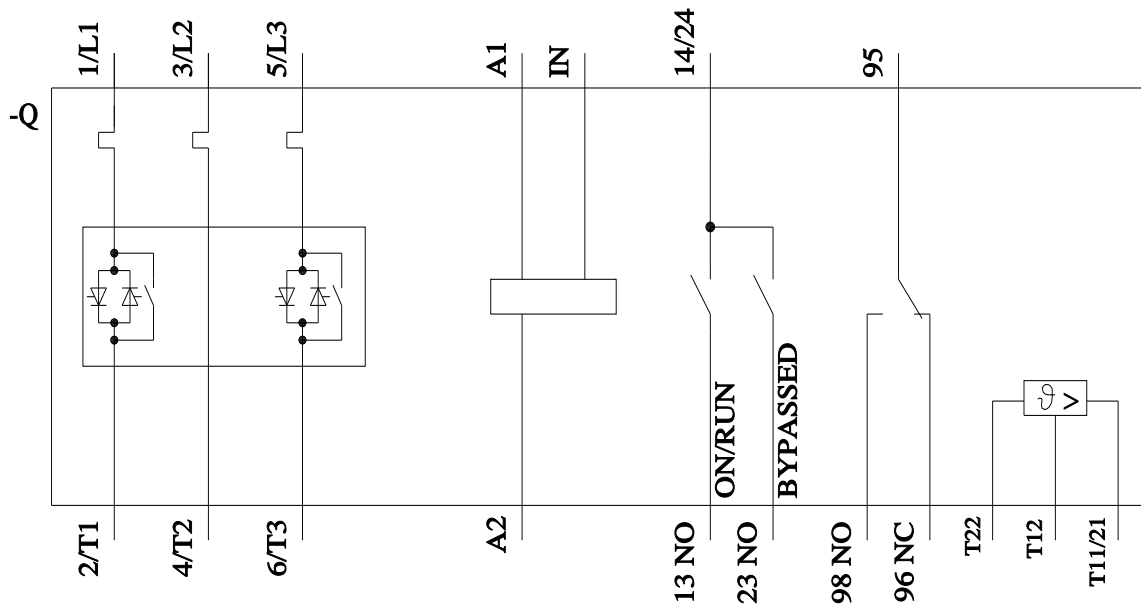
Characteristic: Installation altitude

<http://www.automation.siemens.com/bilddb/index.aspx?view=Search&mlfb=3RW5056-6TB15&objecttype=14&gridview=view1>

Simulation Tool for Soft Starters (STS)

<https://support.industry.siemens.com/cs/ww/en/view/101494917>





last modified:

4/19/2024 

