



circuit breaker 3VA6 UL frame 150 breaking capacity class C 100kA @ 480 V 3-pole, line protection ETU856, LSI, In=150A overload protection Ir=60A ...150A short-circuit protection Isd=0.6..10x In, li=1.5..10x In N conductor protection opt. w. ext. CT; up to 160% ground-fault alarm message via EFB300 or COM cable connection on both sides

| Model | |
|---|-----------------------------|
| product brand name | SENTRON |
| product designation | Molded-case circuit breaker |
| product designation / according to UL file | CDAE |
| Product version | System protection |
| design of the load switch / acc. to UL 489 / Heating, Air Conditioning, and Refrigeration circuit breaker (HACR Type) | Yes |
| design of the overcurrent release | ETU856 |
| protection function of the overcurrent release | LSI |
| number of poles | 3 |
| General technical data | |
| Tension assignée d'isolement Ui | 600 V |
| power loss [W] / maximum | 29 W |
| Active power loss / for rated value of the current / at AC / in hot operating state / per pole | 9.67 W |
| mechanical service life (switching cycles) / typical | 20 000 |
| Electrical endurance (switching cycles) / at AC-1 / at 380/415 V 50/60 Hz | 9 000 |
| Electrical endurance (switching cycles) / at AC-1 / at 690 V 50/60 Hz | 5 000 |
| electrical endurance (switching cycles) / at 480 V | 9 000 |
| electrical endurance (switching cycles) / at 600 V | 9 000 |
| Neutral conductors / upgradeable/retrofitable | Yes |
| ground-fault monitoring version | Without |
| product function | |
| • communication function | Yes |
| • other measurement function | Yes |
| Current | |
| marking / acc. to UL 489 / 100%-rated breaker | No |
| operational current | |
| • at 55 °C | 150 A |
| • at 60 °C | 150 A |
| • at 65 °C | 150 A |
| • at 70 °C | 150 A |
| Switching capacity according to IEC 60947 | |
| switching capacity class of the circuit breaker | C |
| breaking capacity maximum short-circuit current (Icu) | |
| • at 240 V | 150 kA |

| | |
|--|----------------------------|
| <ul style="list-style-type: none"> • at 415 V • at 690 V | 110 kA 2.5 kA |
| breaking capacity operating short-circuit current (Ics) <ul style="list-style-type: none"> • at 240 V • at 415 V • at 690 V | 150 kA 110 kA 2.5 kA |
| short-circuit current making capacity (Icm) <ul style="list-style-type: none"> • at 240 V • at 415 V • at 690 V | 330 kA 242 kA 3.8 kA |

Switching capacity according to UL 489

| | |
|--|---------------------------|
| breaking capacity current <ul style="list-style-type: none"> • at 240 V • at 480 V • at 600 V | 200 kA 100 kA 35 kA |
|--|---------------------------|

Adjustable parameters

| | |
|---|---------|
| Adjustable response value current / I _g min. | 0.5 s |
| Adjustable response value current / I _i min. | 225 A |
| Adjustable response value current / I _i max. | 1 500 A |
| Ground fault protection / tripping switchable / I _{2t} =ON/OFF | No |
| Adjustable response value current / I _g min. | 30 A |
| Adjustable response value current / I _g max. | 150 A |
| Adjustable response value current / t _g min. | 0.05 s |
| Adjustable response value current / I _g min. | 0.8 s |

Mechanical Design

| | |
|-------------|--------|
| height [in] | 7.8 in |
| Height | 198 mm |
| width [in] | 4.1 in |
| Width | 105 mm |
| depth [in] | 3.4 in |
| depth | 86 mm |

Connections

| | |
|---|------------------|
| arrangement of electrical connectors / for main current circuit | Front connection |
|---|------------------|

Auxiliary circuit

| | |
|--|---|
| number of CO contacts / for auxiliary contacts | 0 |
|--|---|

Accessories

| | |
|--|-----|
| product extension / optional / motor drive | Yes |
|--|-----|

Environmental conditions

| | |
|--|------------------------------------|
| protection class IP / on the front | IP40 |
| ambient temperature <ul style="list-style-type: none"> • during operation / minimum • during operation / maximum • during storage / minimum • during storage / maximum | -25 °C 70 °C -40 °C 80 °C |

Certificates

| | |
|--|-----|
| reference code / acc. to IEC 81346-2 | Q |
| certificate of suitability / as approval for NAVAL (no combat vessels) / supplement SB | Yes |

Further information

Information- and Downloadcenter (Catalogs, Brochures,...)

<http://www.siemens.com/lowvoltage/catalogs>

Industry Mall (Online ordering system)

<https://mall.industry.siemens.com/mall/en/en/Catalog/product?mlfb=3VA6115-7KT36-0AA0>

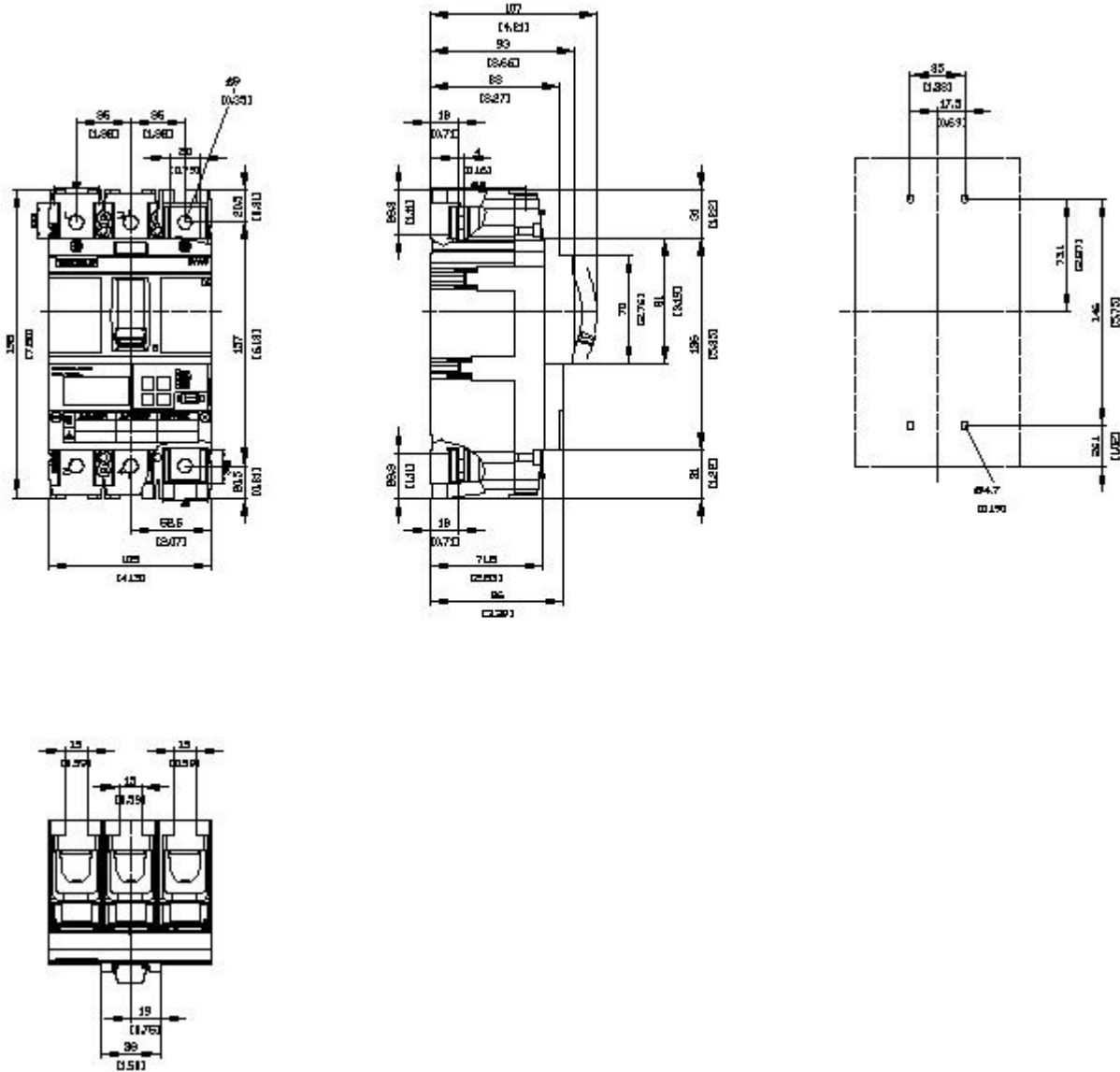
Service&Support (Manuals, Certificates, Characteristics, FAQs,...)

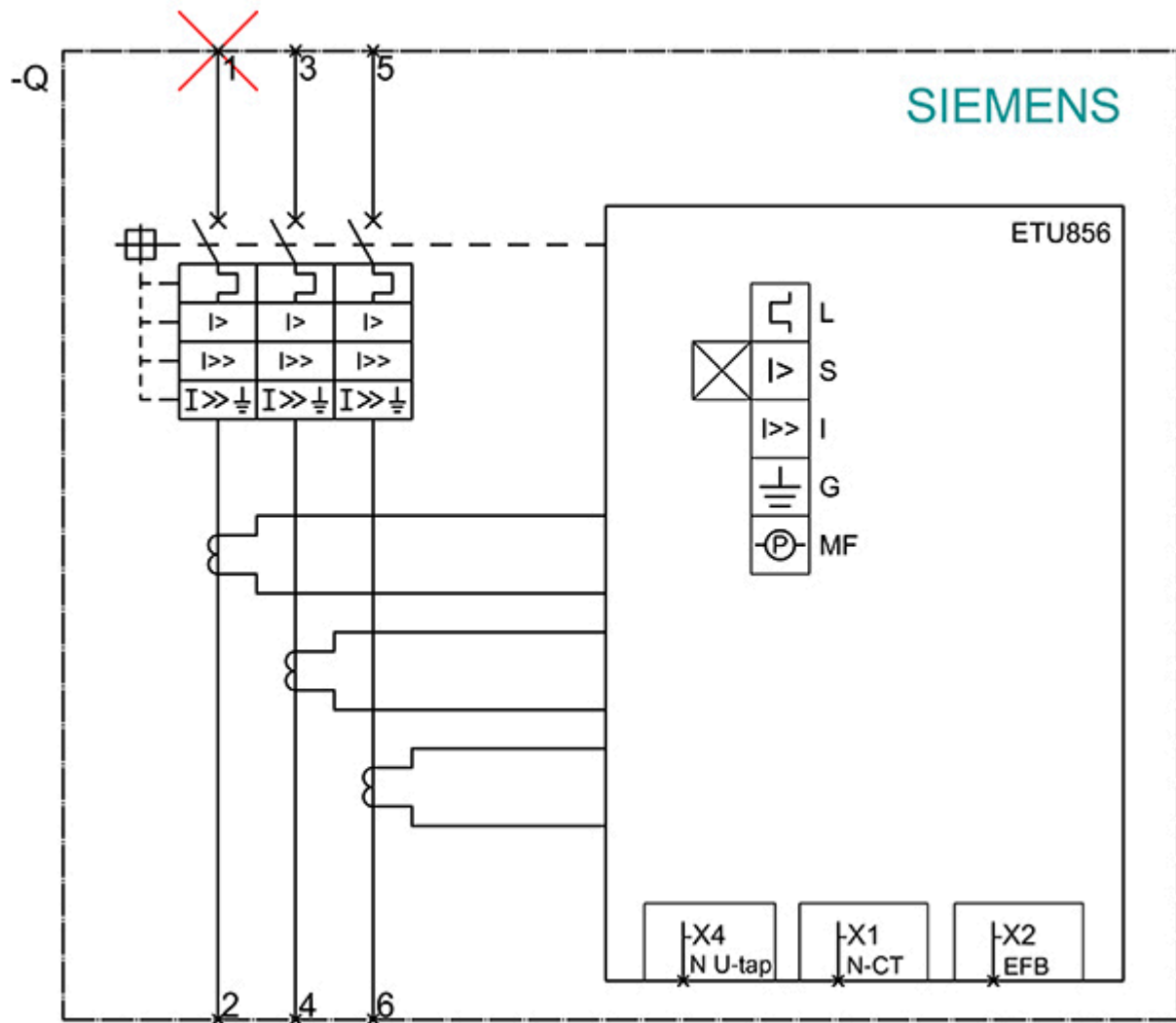
<https://support.industry.siemens.com/cs/ww/en/ps/3VA6115-7KT36-0AA0>

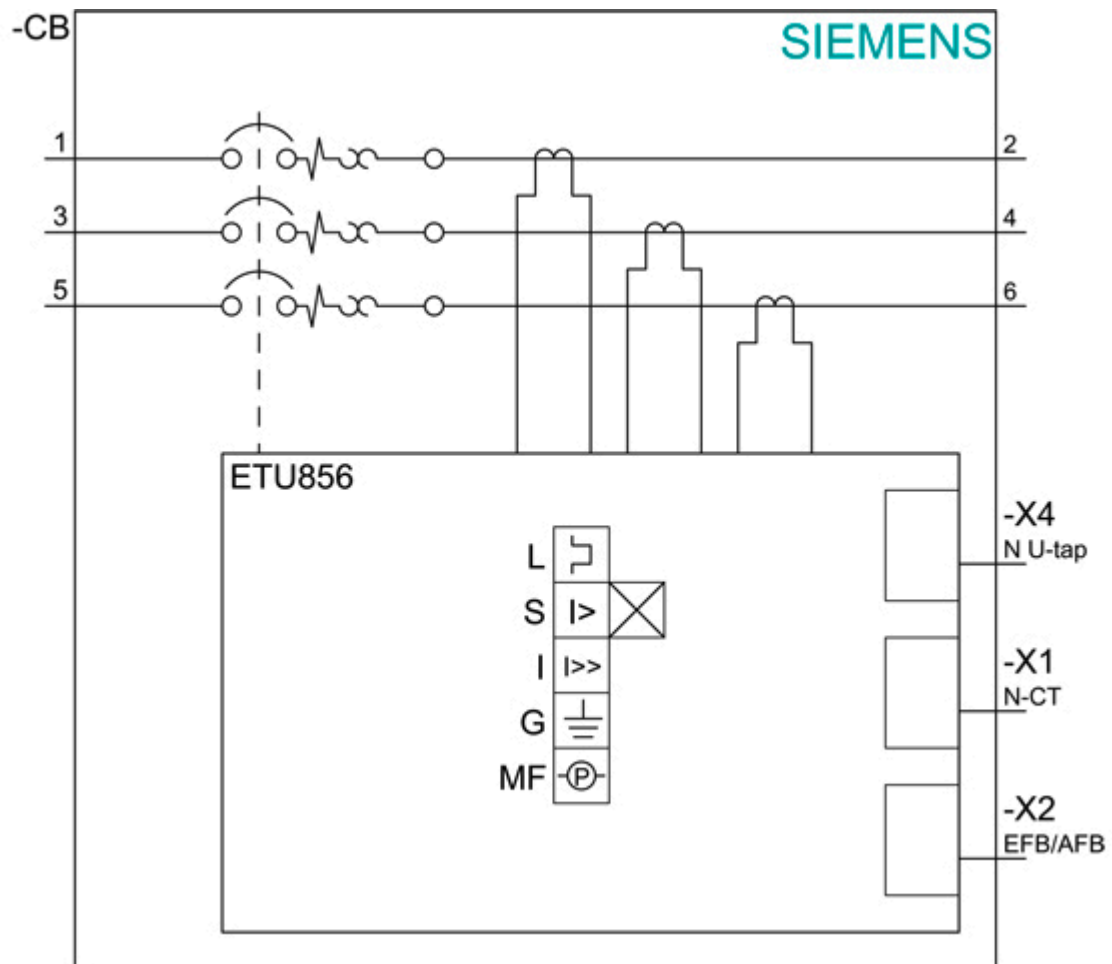
Image database (product images, 2D dimension drawings, 3D models, device circuit diagrams, ...)

http://www.automation.siemens.com/bilddb/cax_en.aspx?mlfb=3VA6115-7KT36-0AA0

CAX-Online-Generator







last modified:

3/11/2021