

**T-SERIES MID-SIZE OUTDOOR**


**T29**  
4000 BTU/Hr.  
1173 Watts

**T43**  
6000, 8000, 10000 BTU/Hr.  
1758, 2344, 2930 Watts

**T50**  
12000 BTU/Hr.  
3516 Watts

**T53**  
19000 BTU/Hr.  
5567 Watts

**INDUSTRY STANDARDS**

UL/cUL Listed; Type 12, 3R, 4; 4X optional; File No. SA6453  
UR/cUR Recognized

UR/cUR Recognized on select models, reference performance data tables.

CE  
EAC  
Telcordia GR-487 capable

**APPLICATION**

- Industrial automation
- Telecommunications equipment
- Package handling equipment
- Security and defense systems
- And more

**FEATURES**

- Stock models equipped with head pressure control for low-ambient operation, compressor heater, coated condenser coil, malfunction switch, thermostat and heater package
- R134A or R-407C earth-friendly refrigerant
- Models for 115, 230 and 460 VAC power input
- UL Listed to save customers time and money with agency approvals (some models UL recognized)
- Outdoor model operating temperature range from -40 F/-40 C to 131 F/55 C
- Exterior and fully recessed mounting options on many models
- Compact footprint to minimize real estate and maximize capacity
- Reliable mechanical thermostat on enclosure side of the unit
- Dual condenser-side air movers for performance redundancy
- Painted galvanized sheet-metal cover for rugged factory and outdoor environments
- Easy-mount flanges for simple installation

- Cleanable, reusable aluminum mesh filter protects coils for maximum cooling performance
- Mounting hardware, gaskets and user manual furnished with the unit
- Every unit functionally tested before shipping
- Standard Outdoor Air Conditioner models also include:
  - Telcordia GR-487 capable
  - Thermostat
  - Corrosion-resistant components
  - Malfunction switch
  - Compressor heater
  - Head pressure control
  - Enclosure heater

**FINISH**

- RAL 7035 light-gray, semi-textured powder-coat paint
- Other colors and textures available

**OPTIONS**

- Thermostat Malfunction Package
  - Special Voltage Package
  - Outdoor Package
  - Harsh Environment Package\*
  - Stainless Steel Package\*
  - Heater Package
- \* PROAIR Harsh Environment air conditioner may be more appropriate. Refer to PROAIR Harsh Environment air conditioner catalog section. Consult the Factory for availability and catalog number.

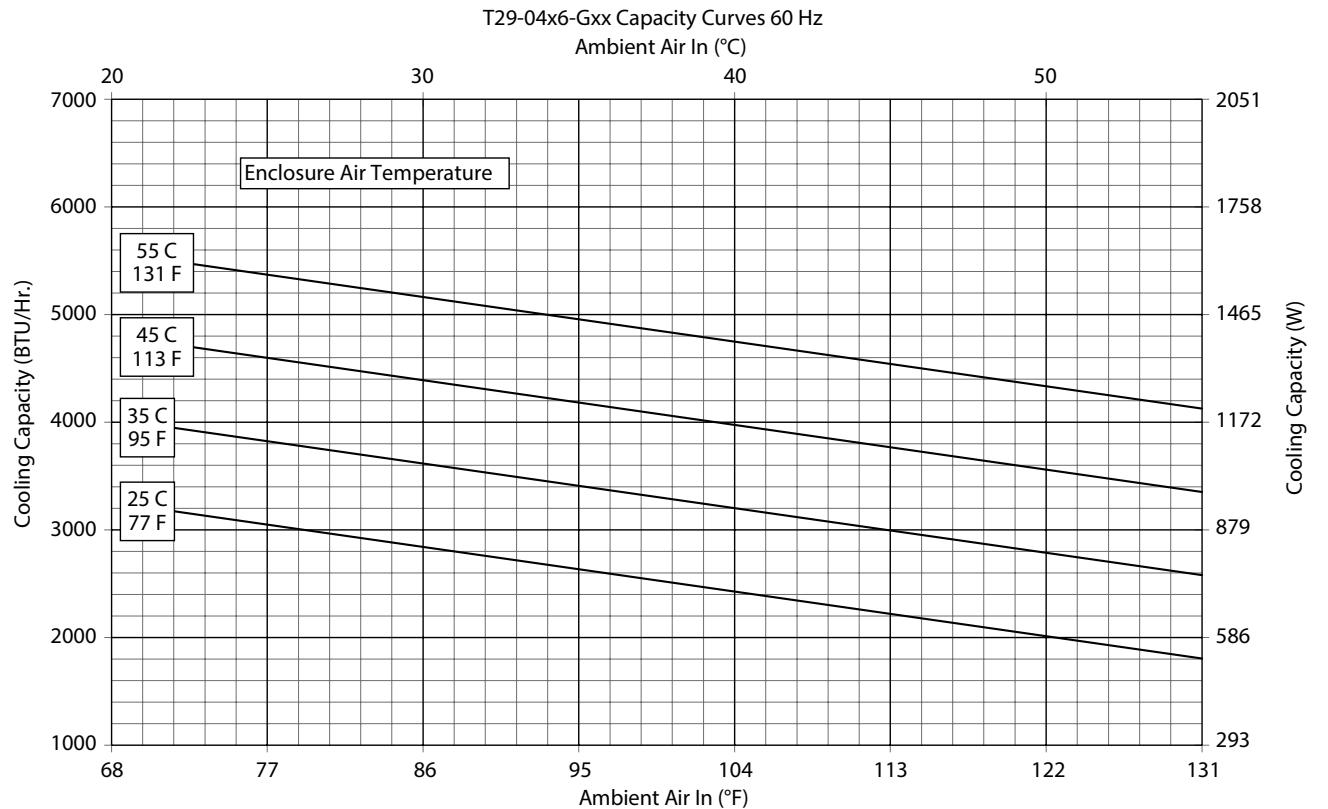
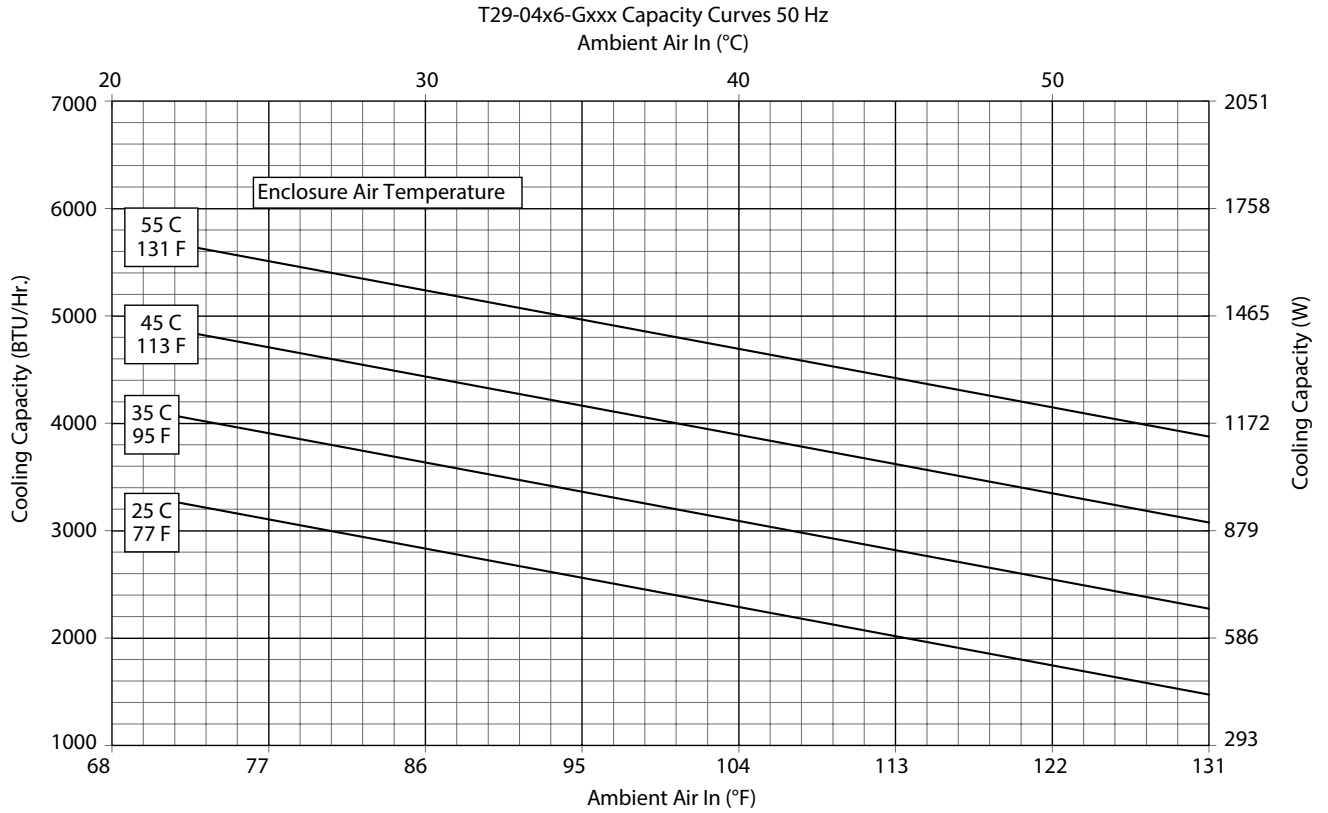
**NOTES**

Visit [www.PentairProtect.com](http://www.PentairProtect.com) to download 2D and 3D CAD drawings into the overall design of your electrical system.

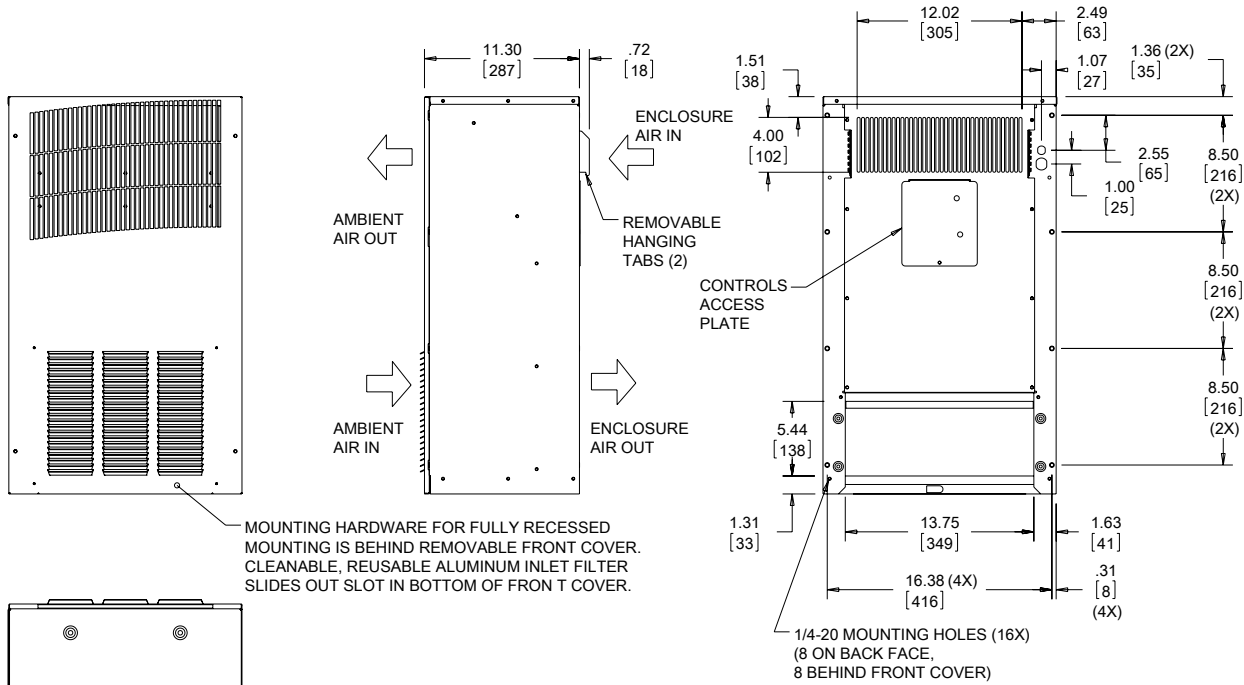
Performance Data **T29 4000 BTU/Hr. (1173 Watt) Models**

<b>CATALOG NUMBER</b>			
Outdoor Model without Heat Pkg.	T290416G100	T290426G100	T290446G400
Outdoor Model with Heat Pkg.	T290416G150	T290426G150	—
Outdoor Model/SST/Corrosion/4X	T290416G159	T290426G161	—
Outdoor Model/SST/Corrosion/4X/Heater	T290416G156	T290426G160	T290446G403
<b>COOLING PERFORMANCE</b>			
<b>Nominal:</b>			
<b>BTU/Hr.</b>	<b>3600/4000</b>	<b>3600/4000</b>	<b>3600/4000</b>
<b>Watts</b>	<b>1055/1172</b>	<b>1055/1172</b>	<b>1055/1172</b>
At 131 F/131 F (55 C/55 C):			
BTU/Hr. (50/60 Hz)	3950/4250	3950/4250	3950/4250
W (50/60 Hz)	1157/1245	1157/1245	1157/1245
At 95 F/95 F (35 C/35 C):			
BTU/Hr. (50 /60 Hz)	3500/3900	3500/3900	3500/3900
W (50/60 Hz)	1025/1143	1025/1143	1025/1143
Refrigerant	R-134A	R-134A	R-134A
Refrigerant Charge (ounces/grams)	12.5/354	14.3/404	14.3/404
Operating Temperature Range:			
Maximum (°F/°C)	131/55	131/55	131/55
Minimum (°F/°C)	-40/-40	-40/-40	-40/-40
Airflow at 0 Static Pressure:			
Internal loop 50 Hz (CFM / m <sup>3</sup> /hr.)	172/292	172/292	172/292
External loop 50 Hz (CFM / m <sup>3</sup> /hr.)	195/331	195/331	195/331
Internal loop 60 Hz (CFM / m <sup>3</sup> /hr.)	205/348	205/348	205/348
External loop 60 Hz (CFM / m <sup>3</sup> /hr.)	235/399	235/399	235/399
Max. Heater W (Outdoor Models)	1000	1000	
<b>ELECTRICAL DATA</b>			
<b>Rated Voltage</b>	<b>115</b>	<b>230</b>	<b>460V 1PH</b>
Frequency (Hz)	50/60	50/60	50/60
Operating Range	+/- 10%	+/- 10%	+/- 10%
Max. Power Consumption (W at 50/60 Hz)	1163/1222	1587/1564	1748
Max. Nominal Current (A at 50/60 Hz)	13.8/12.8	6.9/6.8	3.8
Starting Current (I)	48	23	12
Agency Approvals	UL/cUL Listed CE EAC		cUR Recognized CE EAC
Others available upon request			
Power Input Description	6-ft. cord with NEMA 5-20 plug	6-ft. cord with NEMA 6-15 plug	6-ft. cord with wire leads
<b>ENCLOSURE PROTECTION</b>			
UL Type	Type 12, 3R, 4 standard Type 4X Stainless steel optional		
<b>CONTROLLER</b>			
Description	Basic mechanical thermostat		
Thermostat Location	Enclosure side on all base models		
Factory Thermostat Setting (°F/°C)	80/27		
<b>SOUND LEVEL</b>			
At 1.5 Meters	67 dB(A)		
<b>UNIT CONSTRUCTION</b>			
Material	Galvanized sheet metal standard Stainless steel optional		
Finish	RAL 7035 light-gray, semi-textured powder-coat paint standard		
<b>UNIT DIMENSIONS</b>			
Height (in./mm)	29/737		29/737
Width (in./mm)	17/432		17/432
Depth (in./mm)	11.3/287		11.3/287
Weight (lb./kg)	107/48.6		127/58

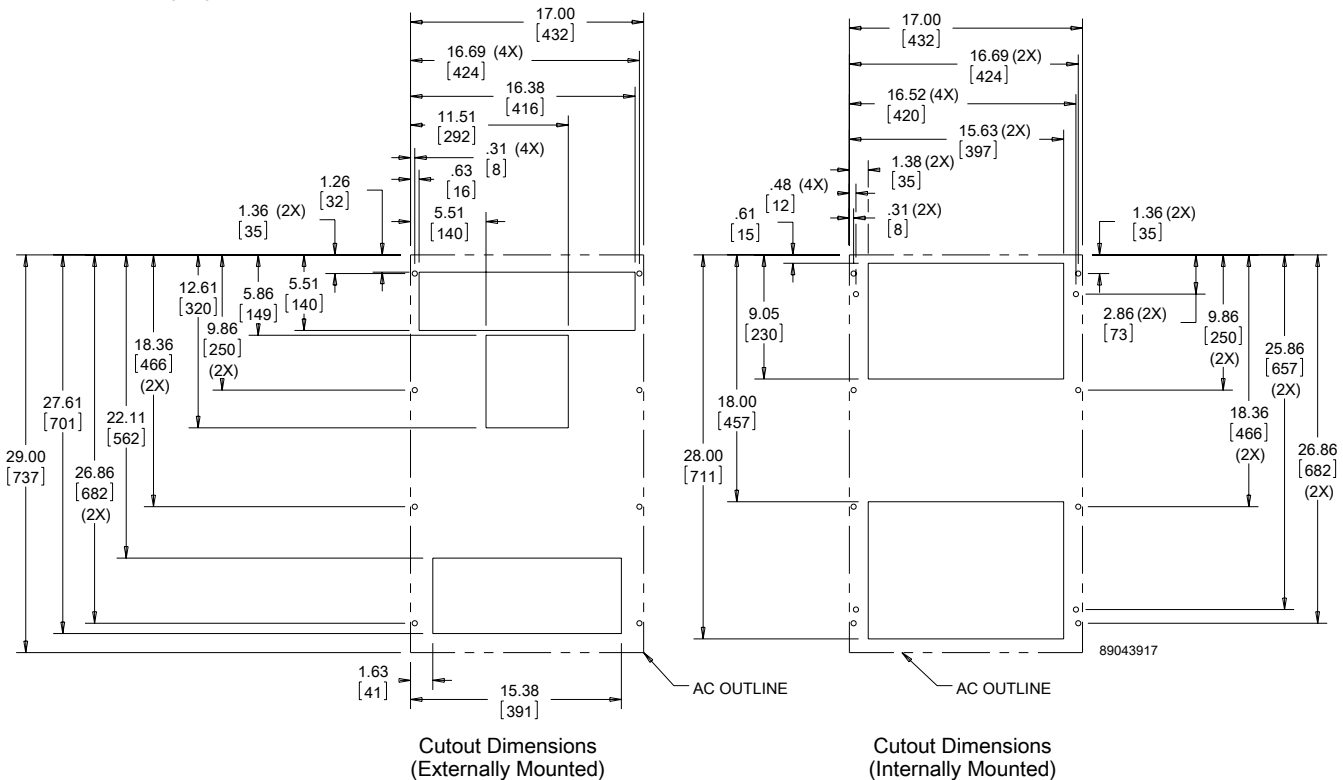
## Performance Curves for T29 Models 4000 BTU/Hr. (1173 Watt)



T29 Models 4000 BTU/Hr. (1173 Watt)



NOTE:  
1. MOUNTING GASKET SUPPLIED (NOT SHOWN)  
2. UNITS: in. [mm]

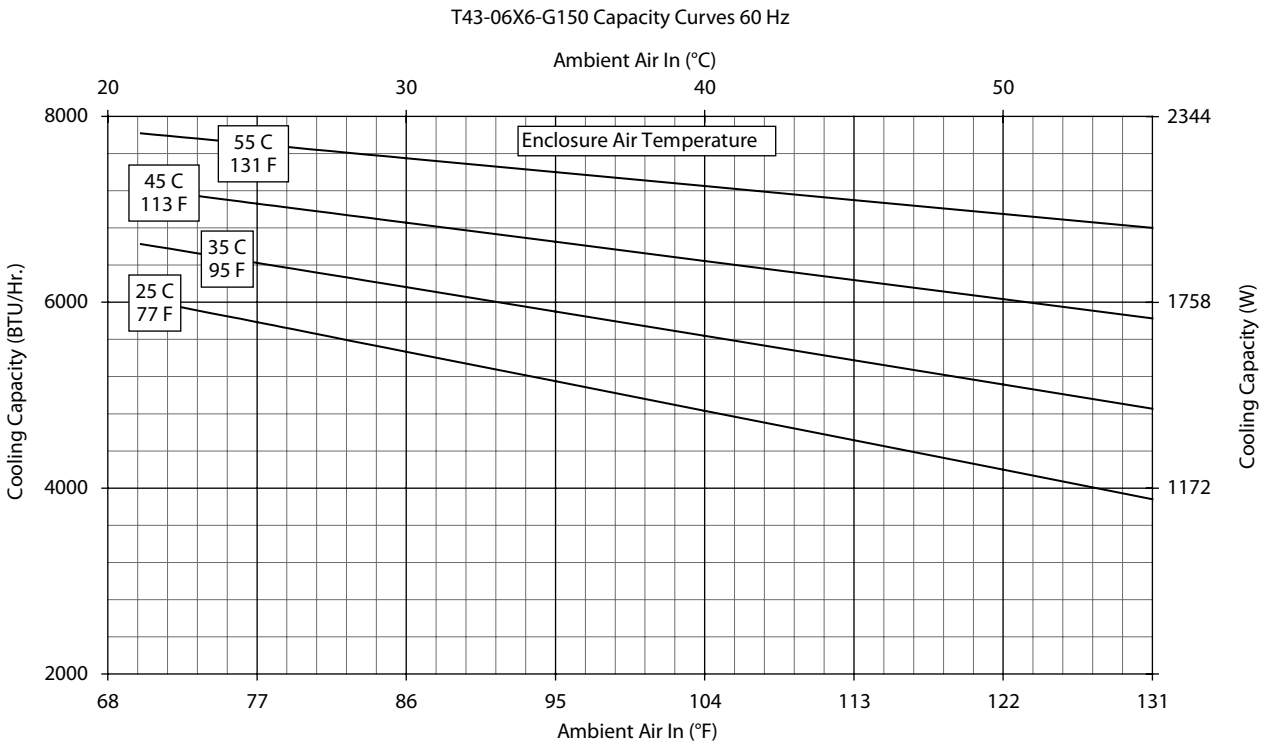
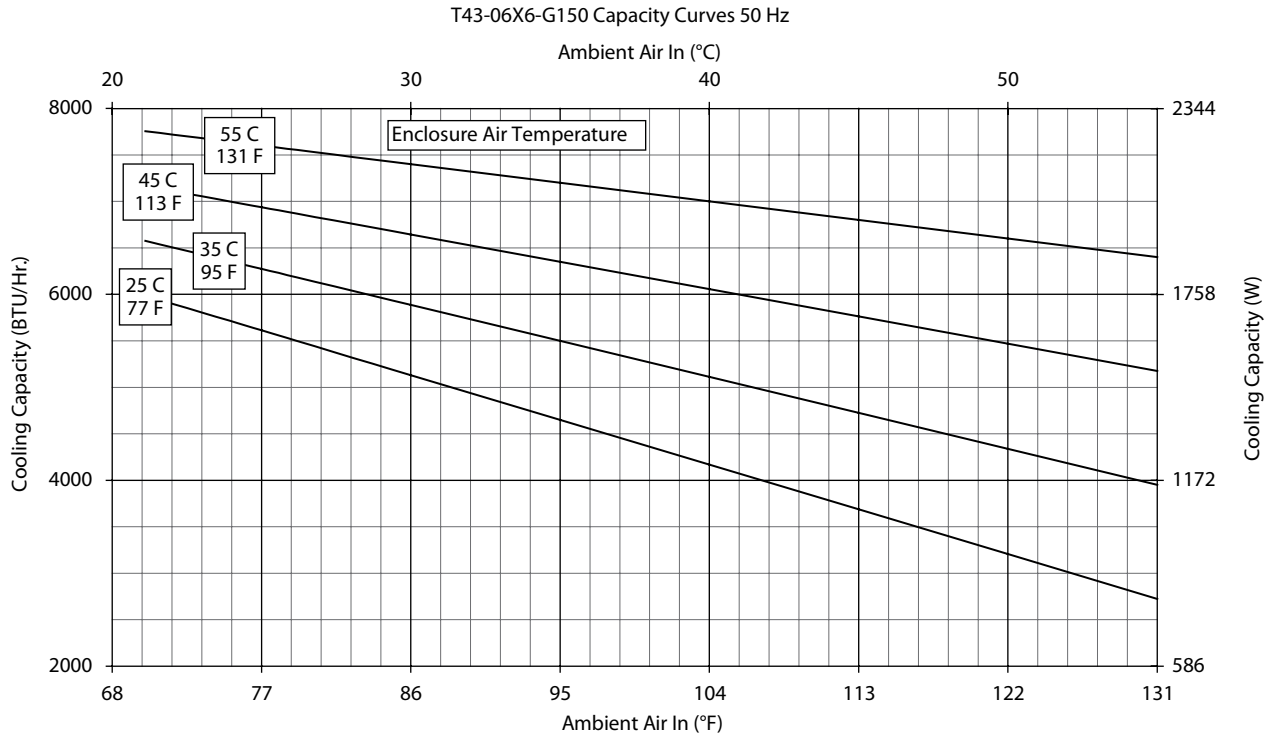


Visit [www.PentairProtect.com](http://www.PentairProtect.com) to download 2D and 3D CAD drawings into the overall design of your electrical system.

**Performance Data T43 6000 BTU/Hr. (1758 Watt) Models**

<b>CATALOG NUMBER</b>			
Outdoor Model without Heat Pkg.	T430616G100	T430626G100	T430646G400
Outdoor Model with Heat Pkg.	T430616G150	T430626G150	T430626G153
Outdoor Model/SST/Corrosion/4X	T430616G102	T430626G159	—
Outdoor Model/SST/Corrosion/4X/Heater	—	—	—
<b>COOLING PERFORMANCE</b>			
<b>Nominal:</b>			
<b>BTU/Hr.</b>	<b>6310/6680</b>	<b>6520/6770</b>	<b>6520/6770</b>
<b>Watts</b>	<b>1848/1958</b>	<b>1910/1985</b>	<b>1910/1985</b>
At 131 F/131 F (55 C/55 C):			
BTU/Hr. (50/60 Hz)	6400/6680	6520/6774	6520/6774
W (50/60 Hz)	1875/1957	1910/1985	1910/1985
At 95 F/95 F (35 C/35 C):			
BTU/Hr. (50 /60 Hz)	5500/5900	5461/5846	5461/5846
W (50/60 Hz)	1611/1729	1600/1713	1600/1713
Refrigerant	R-134A	R-134A	R-134A
Refrigerant Charge (ounces/grams)	30/850	30/850	30/850
Operating Temperature Range:			
Maximum (°F/°C)	131/55	131/55	131/55
Minimum (°F/°C)	-40/-40	-40/-40	-40/-40
Airflow at 0 Static Pressure:			
Internal loop 50 Hz (CFM / m <sup>3</sup> /hr.)	310/527	310/527	310/527
External loop 50 Hz (CFM / m <sup>3</sup> /hr.)	345/586	345/586	345/586
Internal loop 60 Hz (CFM / m <sup>3</sup> /hr.)	320/544	320/544	320/544
External loop 60 Hz (CFM / m <sup>3</sup> /hr.)	355/603	355/603	355/603
Max. Heater W (Outdoor Models)	1000	1000	N/A
<b>ELECTRICAL DATA</b>			
<b>Rated Voltage</b>	<b>115</b>	<b>230</b>	<b>460V 1PH</b>
Frequency (Hz)	50/60	50/60	50/60
Operating Range	+/- 10%	+/- 10%	+/- 10%
Max. Power Consumption (W at 50/60 Hz)	1058/989	1012/874	1104/966
Max. Nominal Current (A at 50/60 Hz)	9.2/8.6	4.4/3.8	2.4/2.1
Starting Current (A)	57.2	27	14
Agency Approvals	UL/cUL Listed CE EAC		cUR Recognized CE EAC
Others available upon request			
Power Input Description	6-ft. cord with NEMA 5-20 plug	6-ft. cord with NEMA 6-15 plug	6-ft. cord with wire leads
<b>ENCLOSURE PROTECTION</b>			
UL Type	Type 12, 3R, 4 standard Type 4X Stainless steel optional		
International Rating	IP56 on the internal loop; IP34 on the external loop		
<b>CONTROLLER</b>			
Description	Basic mechanical thermostat		
Thermostat Location	Enclosure side on all base models		
Factory Thermostat Setting (°F/°C)	80/27		
<b>SOUND LEVEL</b>			
At 1.5 Meters	65.7 dB(A)		
<b>UNIT CONSTRUCTION</b>			
Material	Galvanized sheet metal standard Stainless steel optional		
Finish	RAL 7035 light-gray, semi-textured powder-coat paint standard		
<b>UNIT DIMENSIONS</b>			
Height (in./mm)	43/1092		
Width (in./mm)	15.75/400		
Depth (in./mm)	10.9/279		
Weight (lb./kg)	125/57		

Performance Curves for T43 Models 6000 BTU/Hr. (1758 Watt)

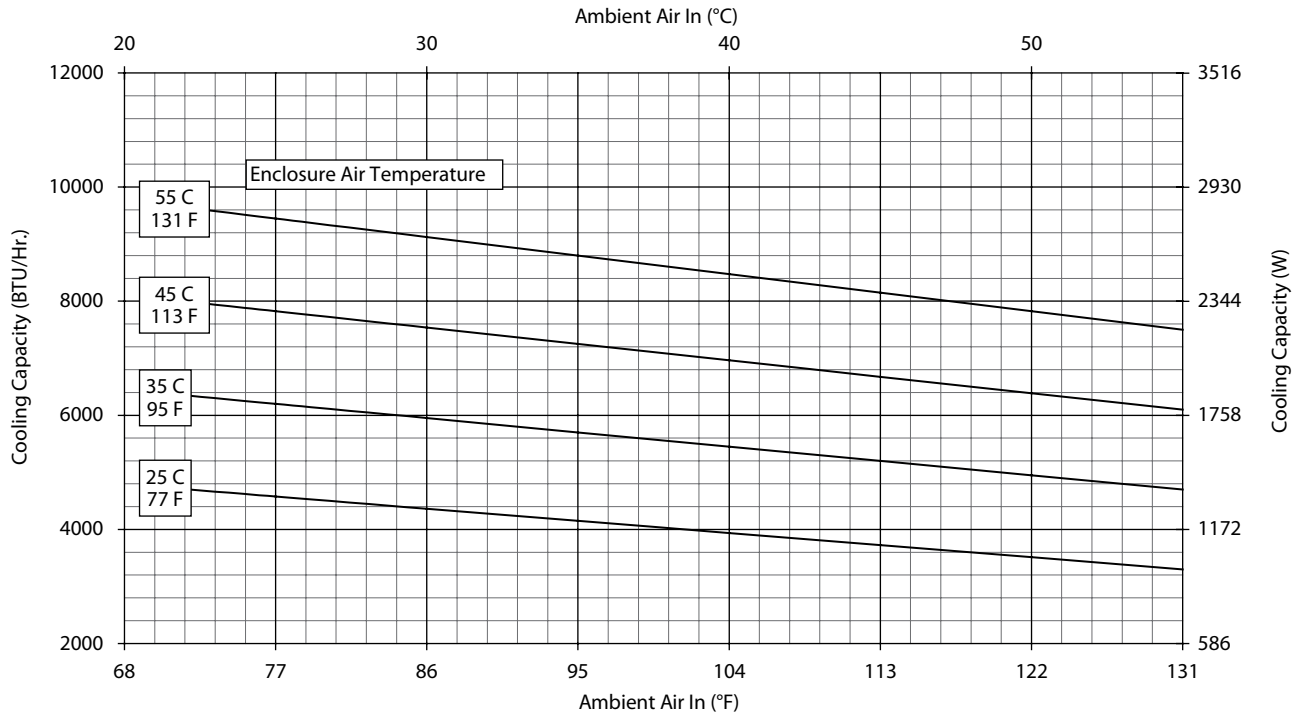


**Performance Data T43 8000 BTU/Hr. (2344 Watt) Models**

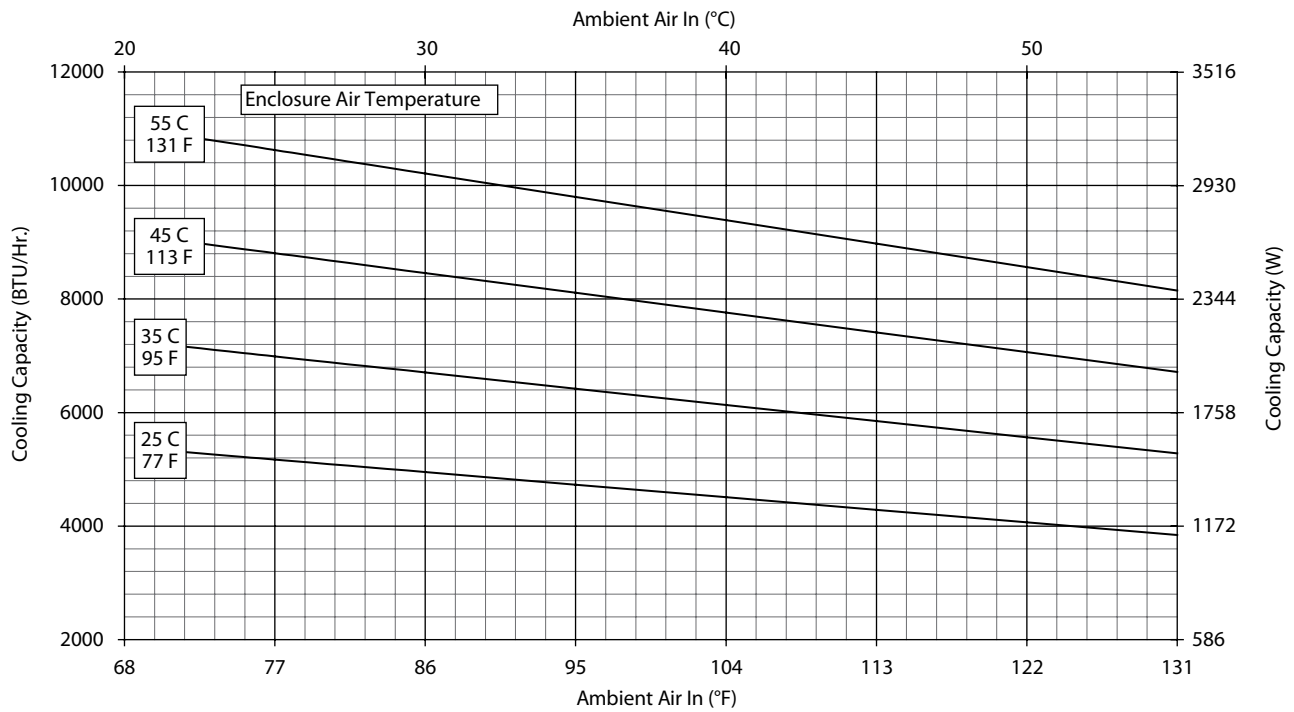
<b>CATALOG NUMBER</b>			
Outdoor Model without Heat Pkg.	T430816G100	T430826G100	T430846G400
Outdoor Model with Heat Pkg.	T430816G150	T430826G150	T430846G403
Outdoor Model/SST/Corrosion/4X	T430816G153	T430826G108	T430846G402
Outdoor Model/SST/Corrosion/4X/Heater	—	—	—
<b>COOLING PERFORMANCE</b>			
<b>Nominal:</b>			
<b>BTU/Hr.</b>	<b>7900/8600</b>	<b>7400/8200</b>	<b>7400/8200</b>
<b>Watts</b>	<b>2310/2500</b>	<b>2160/2400</b>	<b>2160/2400</b>
At 131 F/131 F (55 C/55 C):			
BTU/Hr. (50/60 Hz)	7937/8629	7484/8215	7484/8215
W (50/60 Hz)	2326/2528	2193/2407	2193/2407
At 95 F/95 F (35 C/35 C):			
BTU/Hr. (50/60 Hz)	6401/7100	5940/6705	5940/6705
W (50/60 Hz)	1875/2080	1740/1965	1740/1965
Refrigerant	R-134A	R-134A	R-134A
Refrigerant Charge (ounces/grams)	36/1022	36/1022	36/1022
Operating Temperature Range:			
Maximum (°F/°C)	131/55	131/55	131/55
Minimum (°F/°C)	-40/-40	-40/-40	-40/-40
Airflow at 0 Static Pressure:			
Internal loop 50 Hz (CFM / m <sup>3</sup> /hr.)	273/464	273/464	273/464
External loop 50 Hz (CFM / m <sup>3</sup> /hr.)	310/527	310/527	310/527
Internal loop 60 Hz (CFM / m <sup>3</sup> /hr.)	290/493	290/493	290/493
External loop 60 Hz (CFM / m <sup>3</sup> /hr.)	315/535	315/535	315/535
Max. Heater W (Outdoor Models)	1000	1000	N/A
<b>ELECTRICAL DATA</b>			
<b>Rated Voltage</b>	<b>115</b>	<b>230</b>	<b>460V 1PH</b>
Frequency (Hz)	50/60	50/60	50/60
Operating Range	+/- 10%	+/- 10%	+/- 10%
Max. Power Consumption (W at 50/60 Hz)	1196/1288	1196/1242	1334/1380
Max. Nominal Current (A at 50/60 Hz)	10.4/11.2	5.2/5.4	2.9/3.0
Starting Current (A)	48.3	27	14
Agency Approvals	UL/cUL Listed CE EAC		cUR Recognized CE EAC
Others available upon request			
Power Input Description	6-ft. cord with NEMA 5-20 plug	6-ft. cord with NEMA 6-15 plug	6-ft. cord with wire leads
<b>ENCLOSURE PROTECTION</b>			
UL Type	Type 12, 3R, 4 standard Type 4X Stainless steel optional		
International Rating	IP56 on the internal loop; IP34 on the external loop		
<b>CONTROLLER</b>			
Description	Basic mechanical thermostat		
Thermostat Location	Enclosure side on all base models		
Factory Thermostat Setting (°F/°C)	80/27		
<b>SOUND LEVEL</b>			
At 1.5 Meters	65.7 dB(A)		
<b>UNIT CONSTRUCTION</b>			
Material	Galvanized sheet metal standard Stainless steel optional		
Finish	RAL 7035 light-gray, semi-textured powder-coat paint standard		
<b>UNIT DIMENSIONS</b>			
Height (in./mm)	43/1092		
Width (in./mm)	15.75/400		
Depth (in./mm)	10.9/279		
Weight (lb./kg)	125/57		

Performance Curves for T43 Models 8000 BTU/Hr. (2344 Watt)

T43-08X6-G150 Capacity Curves 50 Hz



T43-08X6-G150 Capacity Curves 60 Hz

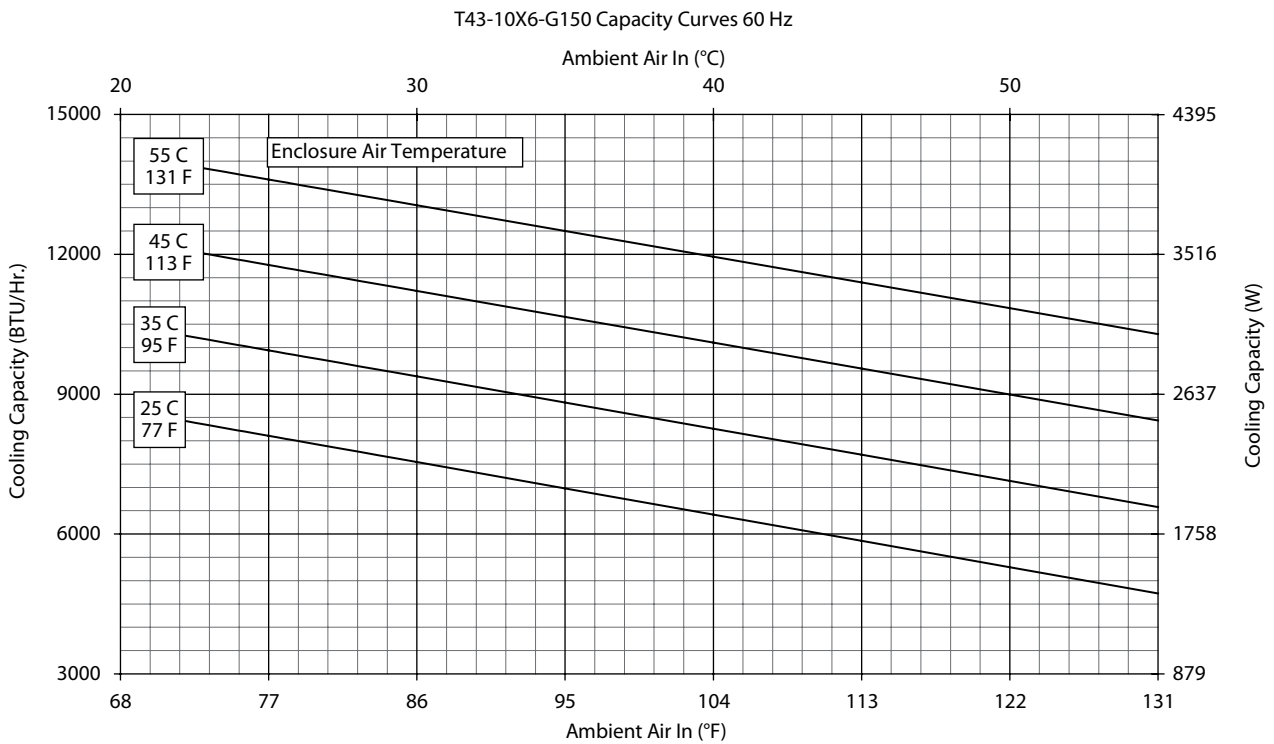
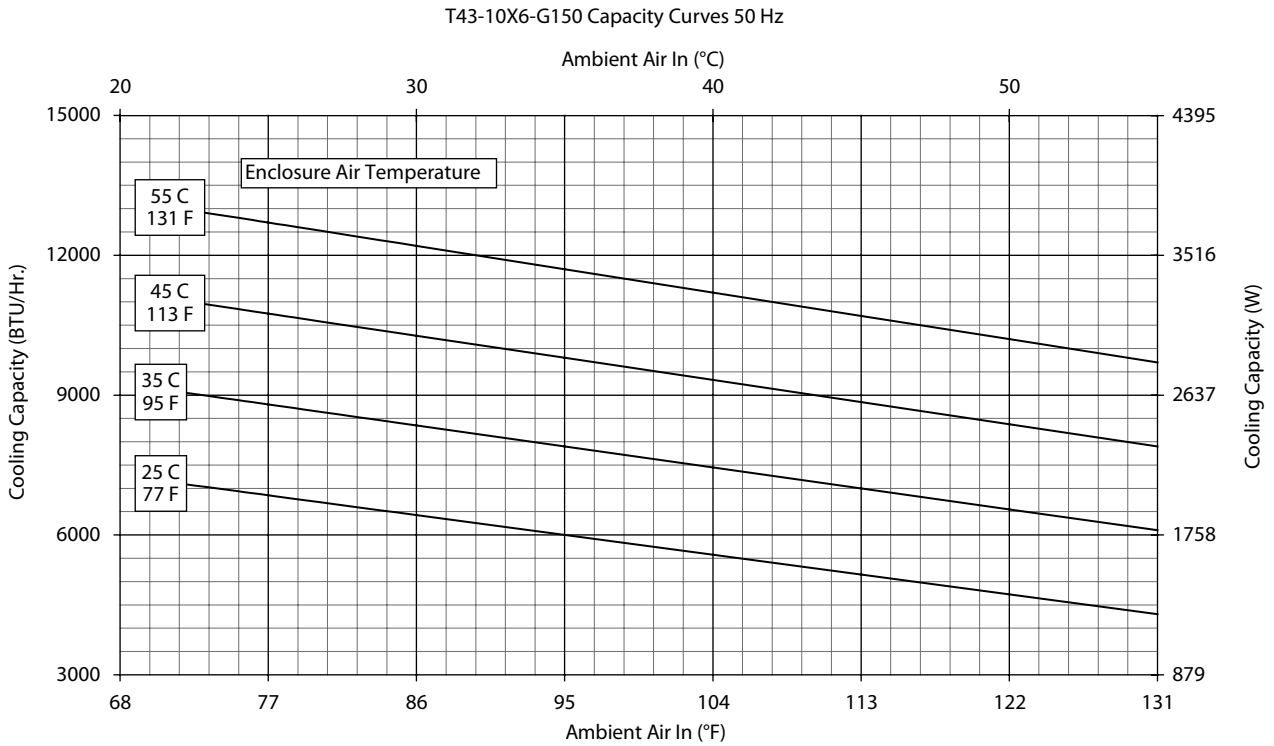




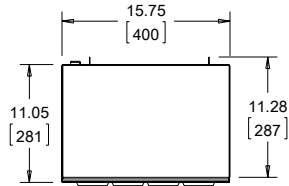
**Performance Data T43 10000 BTU/Hr. (2930 Watt) Models**

<b>CATALOG NUMBER</b>			
Outdoor Model without Heat Pkg.	T431016G100	T431026G100	T431046G400
Outdoor Model with Heat Pkg.	T431016G150	T431026G150	—
Outdoor Model/SST/Corrosion/4X	T431016G102	T431026G104	T431046G406
Outdoor Model/SST/Corrosion/4X/Heater	T431016G153	T431026G152	—
<b>COOLING PERFORMANCE</b>			
<b>Nominal:</b>			
<b>BTU/Hr.</b>	<b>9670/10300</b>	<b>10100/10500</b>	<b>10100/10500</b>
<b>Watts</b>	<b>2831/3016</b>	<b>2957/3075</b>	<b>2957/3075</b>
At 131 F/131 F (55 C/55 C):			
BTU/Hr. (50/60 Hz)	9667/10290	10039/10669	10039/10669
W (50/60 Hz)	2832/3015	2941/3126	2941/3126
At 95 F/95 F (35 C/35 C):			
BTU/Hr. (50/60 Hz)	7663/8397	8458/8837	8458/8837
W (50/60 Hz)	2245/2460	2478/2589	2478/2589
Refrigerant	R-134A	R-134A	R-134A
Refrigerant Charge (ounces/grams)	32/907	32/907	32/907
Operating Temperature Range:			
Maximum (°F/°C)	131/55	131/55	131/55
Minimum (°F/°C)	-40/-40	-40/-40	-40/-40
Airflow at 0 Static Pressure:			
Internal loop 50 Hz (CFM / m <sup>3</sup> /hr.)	272/462	320/544	320/544
External loop 50 Hz (CFM / m <sup>3</sup> /hr.)	510/866	568/965	568/965
Internal loop 60 Hz (CFM / m <sup>3</sup> /hr.)	290/493	330/561	330/561
External loop 60 Hz (CFM / m <sup>3</sup> /hr.)	565/960	636/1081	636/1081
Max. Heater W (Outdoor Models)	1000	1000	N/A
<b>ELECTRICAL DATA</b>			
<b>Rated Voltage</b>	<b>115</b>	<b>230</b>	<b>460V 1PH</b>
Frequency (Hz)	50/60	50/60	50/60
Operating Range	+/- 10%	+/- 10%	+/- 10%
Max. Power Consumption (W at 50/60 Hz)	1828.5/2288.5	2070	1334/1380
Max. Nominal Current (A at 50/60 Hz)	15.9/19.9	9	5
Starting Current (A)	57	38	20
Agency Approvals	UL/cUL Listed CE EAC		cUR Recognized CE EAC
Others available upon request			
Power Input Description	6-ft. cord with NEMA 5-30 plug	6-ft. cord with NEMA 6-15 plug	6-ft. cord with wire leads
<b>ENCLOSURE PROTECTION</b>			
UL Type	Type 12, 3R, 4 standard Type 4X Stainless steel optional		
International Rating	IP56 on the internal loop; IP34 on the external loop		
<b>CONTROLLER</b>			
Description	Basic mechanical thermostat		
Thermostat Location	Enclosure side on all base models		
Factory Thermostat Setting (°F/°C)	80/27		
<b>SOUND LEVEL</b>			
At 1.5 Meters	73.3 dB(A)		
<b>UNIT CONSTRUCTION</b>			
Material	Galvanized sheet metal standard Stainless steel optional		
Finish	RAL 7035 light-gray, semi-textured powder-coat paint standard		
<b>UNIT DIMENSIONS</b>			
Height (in./mm)	43/1092		
Width (in./mm)	15.75/400		
Depth (in./mm)	10.9/279		
Weight (lb./kg)	125/57		

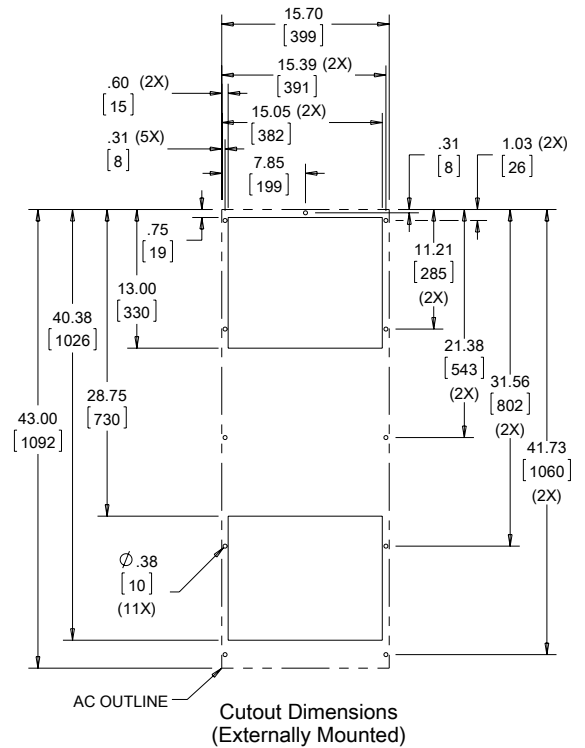
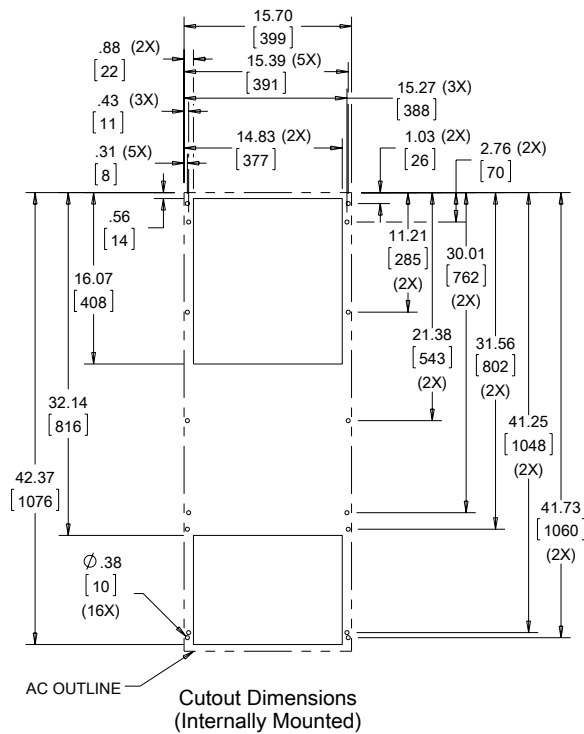
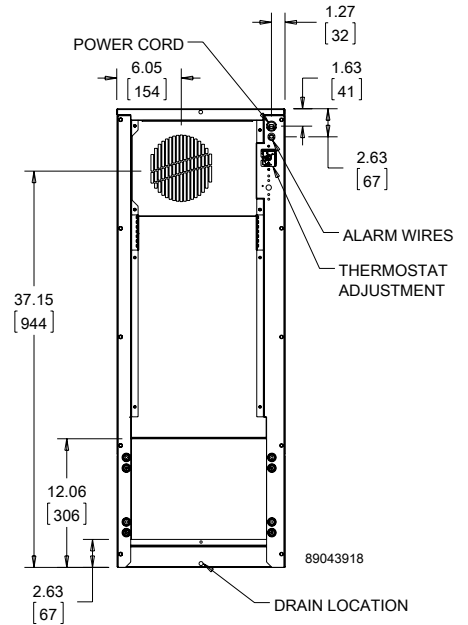
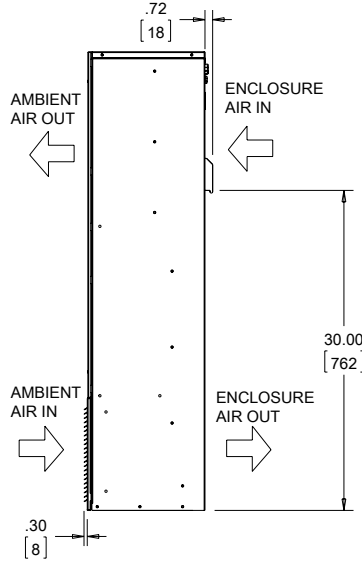
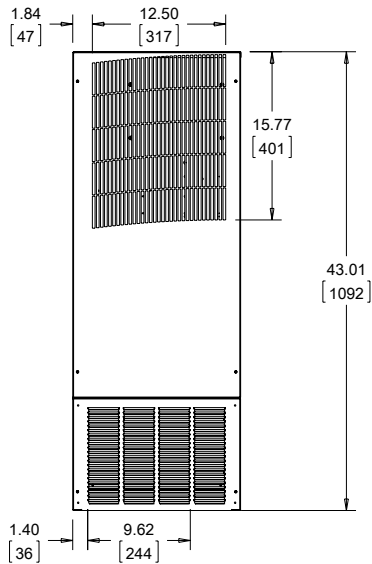
Performance Curves for T43 Models 10000 BTU/Hr. (2930 Watt)



T43 6000-10000 Models BTU/HR. (1758 - 2930 Watt)



NOTE:  
 1. MOUNTING GASKET SUPPLIED (NOT SHOWN)  
 2. UNITS: in. [mm]

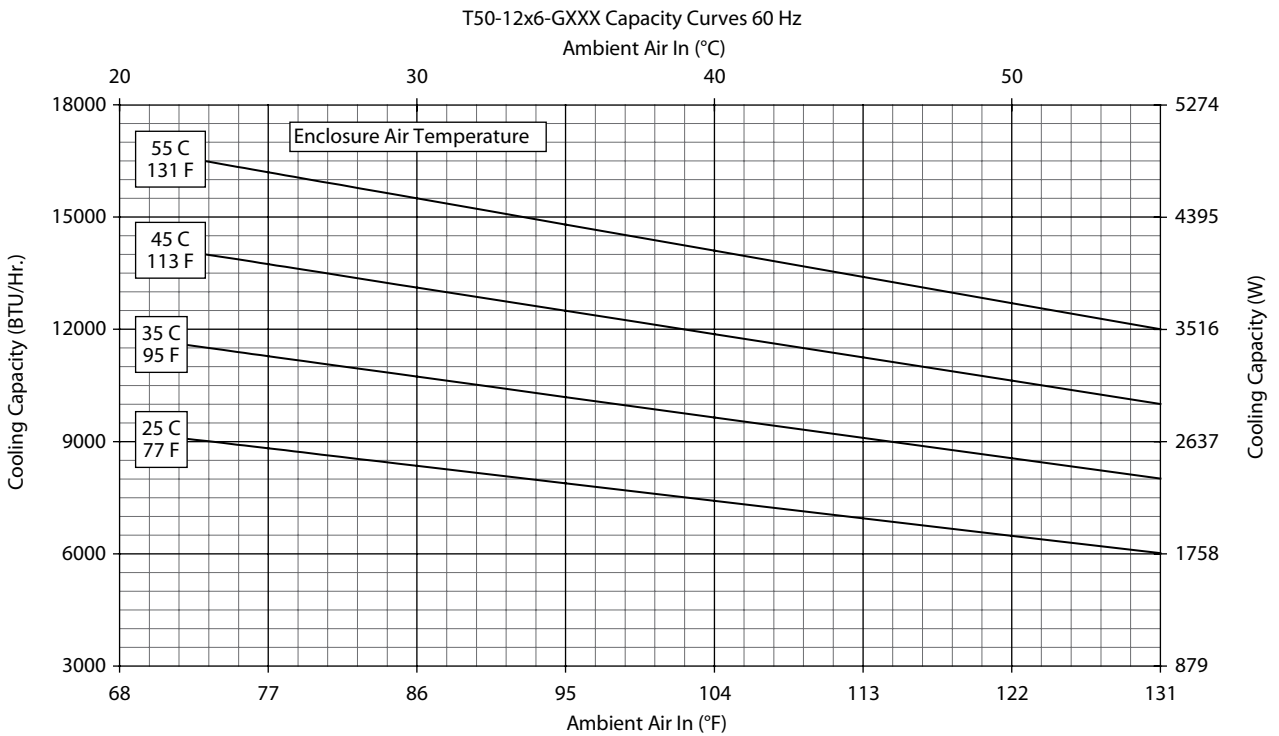
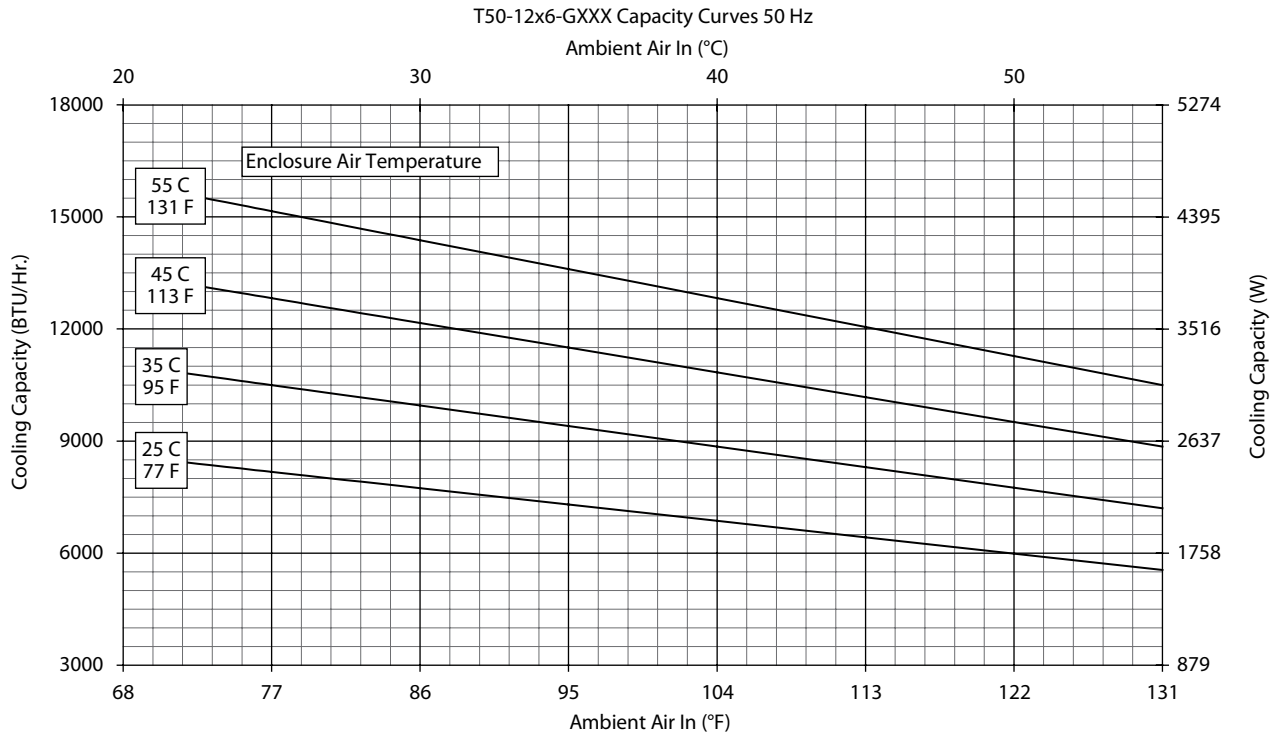


Visit [www.PentairProtect.com](http://www.PentairProtect.com) to download 2D and 3D CAD drawings into the overall design of your electrical system.

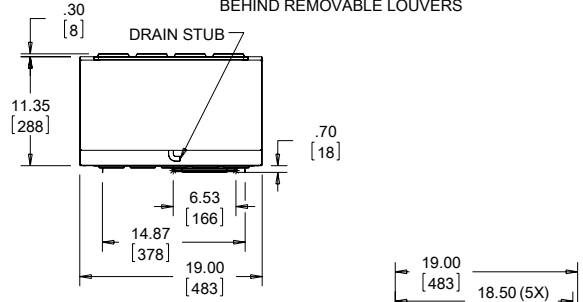
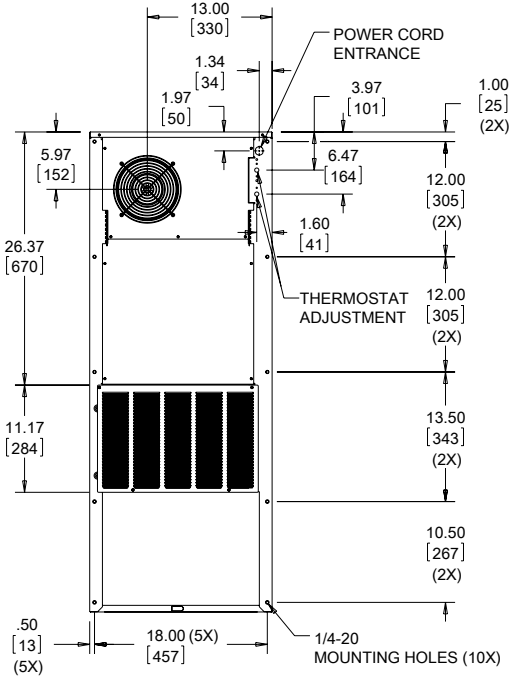
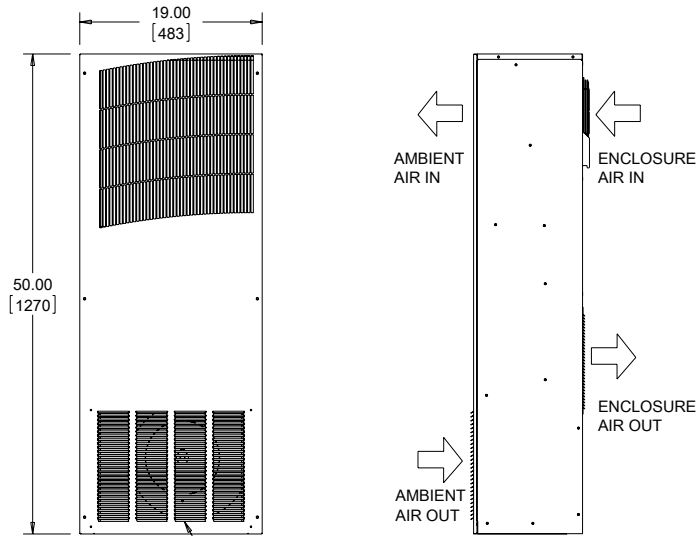
Performance Data **T50 12000 BTU/Hr. (3516 Watt) Models**

<b>CATALOG NUMBER</b>		
Outdoor Model without Heat Pkg.	T501226G100	T501246G400
Outdoor Model with Heat Pkg.	T501226G150	—
Outdoor Model/SST/Corrosion/4X	T501226G125	T501246G401
Outdoor Model/SST/Corrosion/4X/Heater	T501226G156	—
<b>COOLING PERFORMANCE</b>		
<b>Nominal:</b>		
<b>BTU/Hr.</b>	<b>11000/12000</b>	<b>11000/12000</b>
<b>Watts</b>	<b>3223/3516</b>	<b>3223/3516</b>
At 131 F/131 F (55 C/55 C):		
BTU/Hr. (50/60 Hz)	10030/12000	10030/12000
W (50/60 Hz)	2939/3516	2939/3516
At 95 F/95 F (35 C/35 C):		
BTU/Hr. (50 /60 Hz)	9300/10050	9300/10050
W (50/60 Hz)	2725/2945	2725/2945
Refrigerant	R-134A	R-134A
Refrigerant Charge (ounces/grams)	46/1300	46/1300
Operating Temperature Range:		
Maximum (°F/°C)	131/55	131/55
Minimum (°F/°C)	-40/-40	-40/-40
Airflow at 0 Static Pressure:		
Internal loop 50 Hz (CFM / m <sup>3</sup> /hr.)	300/510	300/510
External loop 50 Hz (CFM / m <sup>3</sup> /hr.)	520/883	520/883
Internal loop 60 Hz (CFM / m <sup>3</sup> /hr.)	368/626	368/626
External loop 60 Hz (CFM / m <sup>3</sup> /hr.)	625/1062	625/1062
Max. Heater W (Outdoor Models)	1500	1500
<b>ELECTRICAL DATA</b>		
<b>Rated Voltage</b>	<b>220/230</b>	<b>460V 1PH</b>
Frequency (Hz)	50/60	50/60
Operating Range	+/- 10%	+/- 10%
Max. Power Consumption (W at 50/60 Hz)	1804/2139	2070/2346
Max. Nominal Current (A at 50/60 Hz)	8.2/9.3	4.5/5.1
Starting Current (A)	38	20
Agency Approvals	UL/cUL Listed CE EAC	cUR Recognized CE EAC
Power Input Description	6-ft. cord with NEMA 6-15 plug	6-ft. cord with wire leads
<b>ENCLOSURE PROTECTION</b>		
UL Type	Type 12, 3R, 4 standard Type 4X Stainless steel optional	
<b>CONTROLLER</b>		
Description	Basic mechanical thermostat	
Thermostat Location	Enclosure side on all base models	
Factory Thermostat Setting (°F/°C)	80/27	
<b>SOUND LEVEL</b>		
At 1.5 Meters	68 dB(A)	
<b>UNIT CONSTRUCTION</b>		
Material	Galvanized sheet metal standard Stainless steel optional	
Finish	RAL 7035 light-gray, semi-textured powder-coat paint standard	
<b>UNIT DIMENSIONS</b>		
Height (in./mm)	50/1270	
Width (in./mm)	19/483	
Depth (in./mm)	11.05/281	
Weight (lb./kg)	164/75	

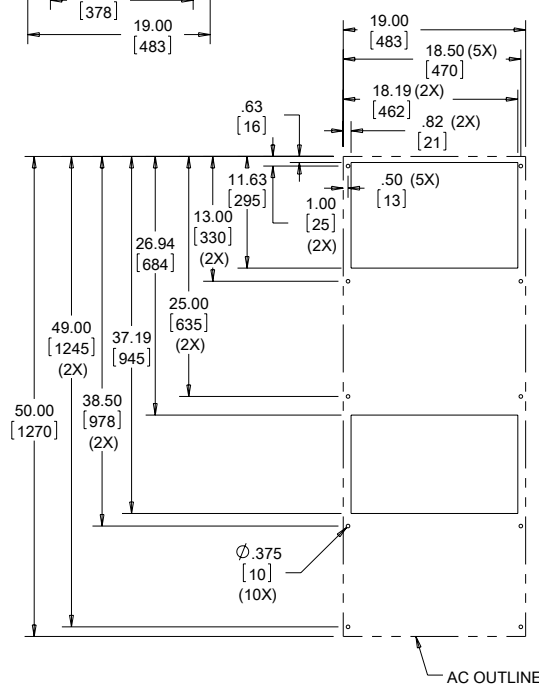
Performance Curves for T50 Models 12000 BTU/Hr. (3516 Watt)



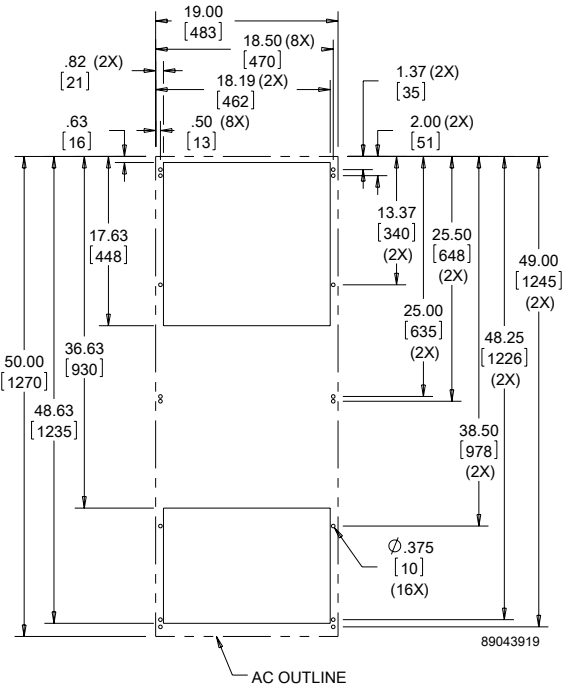
T50 Models 12000 BTU/Hr. (3516 Watt)



NOTE:  
 1. MOUNTING GASKET SUPPLIED (NOT SHOWN)  
 2. UNITS: in. [mm]



Cutout Dimensions (Externally Mounted)



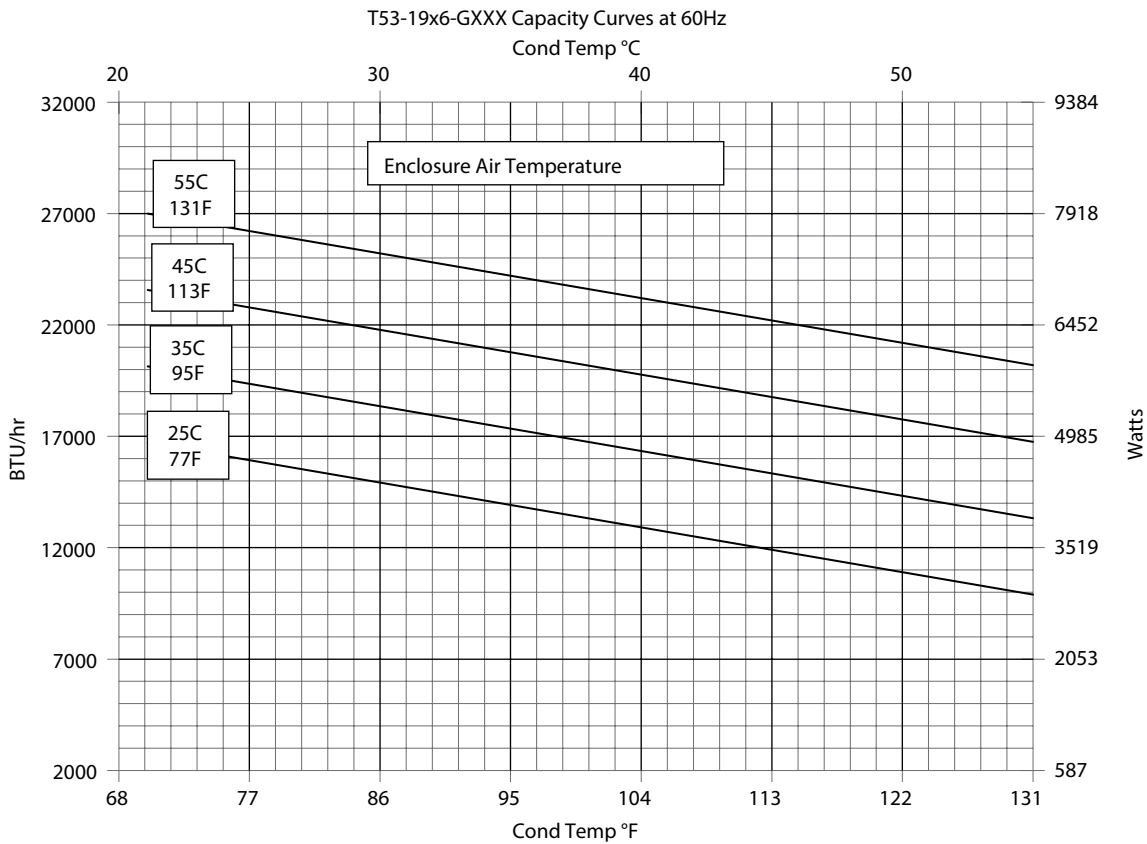
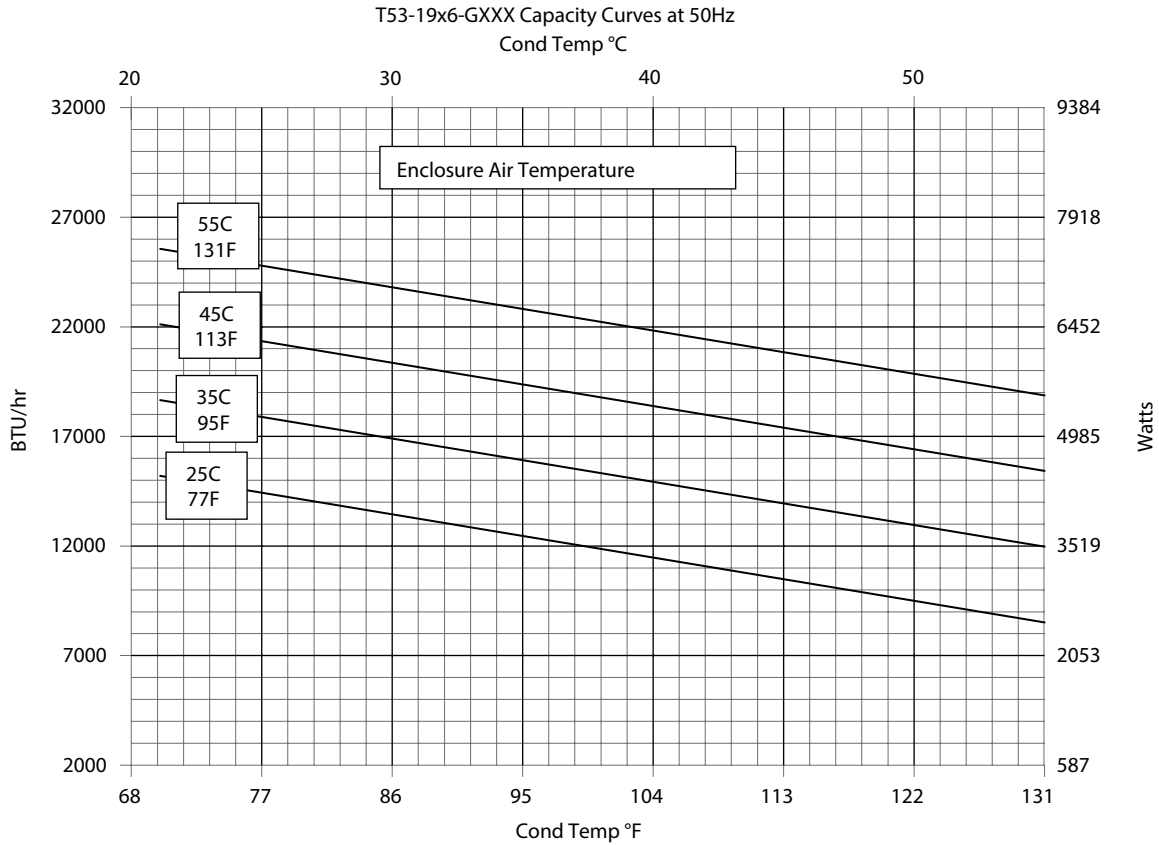
Cutout Dimensions (Internally Mounted)

Visit [www.PentairProtect.com](http://www.PentairProtect.com) to download 2D and 3D CAD drawings into the overall design of your electrical system.

**Performance Data T53 19000 BTU/Hr. (5567 Watt) Models**

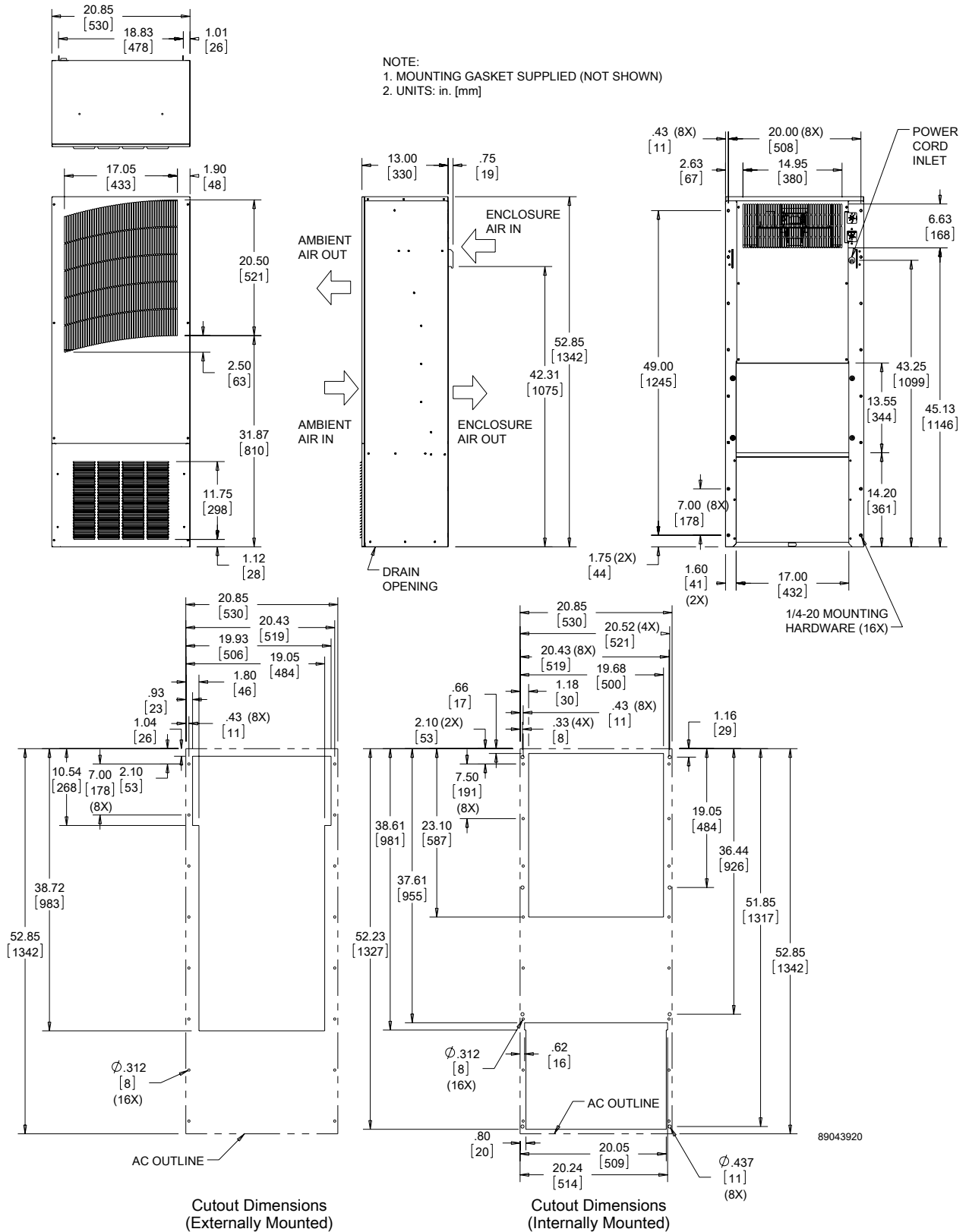
<b>CATALOG NUMBER</b>		
Outdoor Model without Heat Pkg.	T531926G100	T531946G400
Outdoor Model with Heat Pkg.	T531926G150	—
Outdoor Model/SST/Corrosion/4X	T531926G109	—
Outdoor Model/SST/Corrosion/4X/Heater	—	—
<b>COOLING PERFORMANCE</b>		
<b>Nominal:</b>		
<b>BTU/Hr.</b>	<b>18400/20400</b>	<b>18400/20400</b>
<b>Watts</b>	<b>5392/5978</b>	<b>5392/5978</b>
At 131 F/131 F (55 C/55 C):		
BTU/Hr. (50/60 Hz)	18488/20431	18488/20431
W (50/60 Hz)	5418/5987	5418/5987
At 95 F/95 F (35 C/35 C):		
BTU/Hr. (50 /60 Hz)	15833/18087	15833/18087
W (50/60 Hz)	4640/5300	4640/5300
Refrigerant	407C	407C
Refrigerant Charge (ounces/grams)	42/1191	42/1191
Operating Temperature Range:		
Maximum (°F/°C)	131/55	131/55
Minimum (°F/°C)	-40/-40	-40/-40
Airflow at 0 Static Pressure:		
Internal loop 50 Hz (CFM / m <sup>3</sup> /hr.)	449/763	449/763
External loop 50 Hz (CFM / m <sup>3</sup> /hr.)	1204/2046	1204/2046
Internal loop 60 Hz (CFM / m <sup>3</sup> /hr.)	519/882	519/882
External loop 60 Hz (CFM / m <sup>3</sup> /hr.)	1300/2209	1300/2209
Max. Heater W (Outdoor Models)	3000	
<b>ELECTRICAL DATA</b>		
<b>Rated Voltage</b>	<b>230</b>	<b>460V 1PH</b>
Frequency (Hz)	50/60	50/60
Operating Range	+/- 10%	+/- 10%
Max. Power Consumption (W at 50/60 Hz)	3105/3703	3404/4094
Max. Nominal Current (A at 50/60 Hz)	13.5/16.1	7.4/8.9
Starting Current (A)	54	28
Agency Approvals	UL/cUL Listed CE EAC	cUR Recognized CE EAC
Power Input Description	Terminal block	
<b>ENCLOSURE PROTECTION</b>		
UL Type	Type 12, 3R, 4 standard Type 4X Stainless steel optional	
<b>CONTROLLER</b>		
Description	Basic mechanical thermostat	
Thermostat Location	Enclosure side on all base models	
Factory Thermostat Setting (°F/°C)	80/27	
<b>SOUND LEVEL</b>		
At 1.5 Meters	76 dB(A)	
<b>UNIT CONSTRUCTION</b>		
Material	Galvanized sheet metal standard Stainless steel optional	
Finish	RAL 7035 light-gray, semi-textured powder-coat paint standard	
<b>UNIT DIMENSIONS</b>		
Height (in./mm)	53.0/1346.2	
Width (in./mm)	21.0/533.4	
Depth (in./mm)	13.0/330.2	
Weight (lb./kg)	197/90	237/108

Performance Curves for T53 Models 19000 BTU/Hr. (5567 Watt)





T53 Models 19000 BTU/Hr. (5567 Watt)



Visit [www.PentairProtect.com](http://www.PentairProtect.com) to download 2D and 3D CAD drawings into the overall design of your electrical system.

### Notes