

rear connection stud flat short; 1 unit accessory for: 3VA20/21/22



Model	
product brand name	SETRON
product designation	rear connection stud flat
accessories	Flat terminal

Certificates		
General Product Approval	EMV	Test Certificates



[Miscellaneous](#)



[Type Test Certificates/Test Report](#)

Marine / Shipping	other	Environment			
-------------------	-------	-------------	--	--	--



[Confirmation](#)

[Miscellaneous](#)

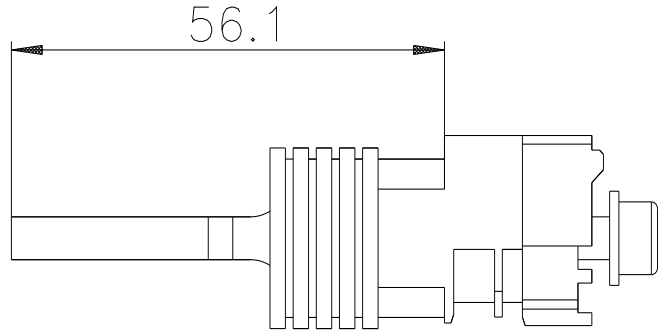
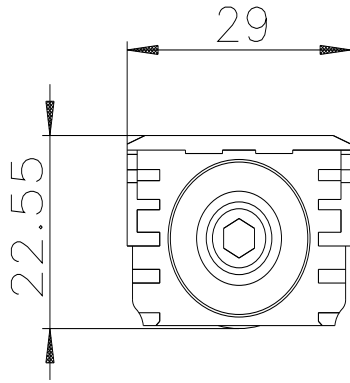
[Miscellaneous](#)

[Environmental Confirmations](#)

[Environmental Confirmations](#)

Further information

- Information on the packaging
<https://support.industry.siemens.com/cs/ww/en/view/109813875>
- Information- and Downloadcenter (Catalogs, Brochures,...)
<http://www.siemens.com/lowvoltage/catalogs>
- Industry Mall (Online ordering system)
<https://mall.industry.siemens.com/mall/en/en/Catalog/product?mlfb=3VA9201-0QE10>
- Service&Support (Manuals, Certificates, Characteristics, FAQs,...)
<https://support.industry.siemens.com/cs/ww/en/ps/3VA9201-0QE10>
- Image database (product images, 2D dimension drawings, 3D models, device circuit diagrams, ...)
http://www.automation.siemens.com/bilddb/cax_en.aspx?mlfb=3VA9201-0QE10
- CAX-Online-Generator
<http://www.siemens.com/cax>
- Tender specifications
<http://www.siemens.com/specifications>



last modified:

8/9/2024 

