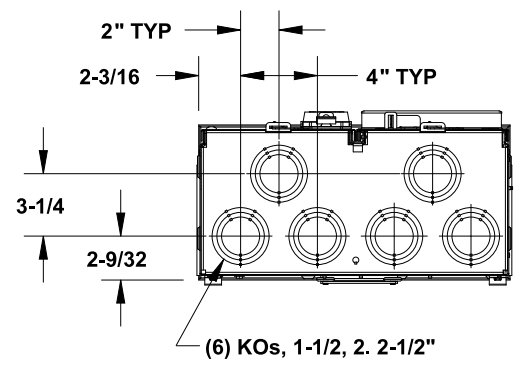
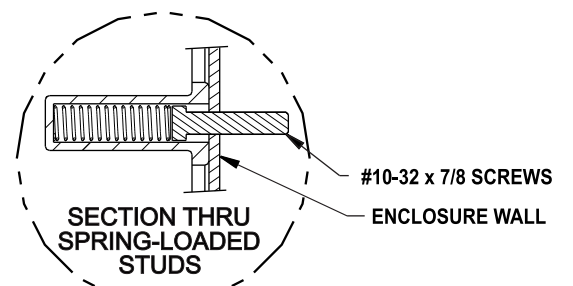
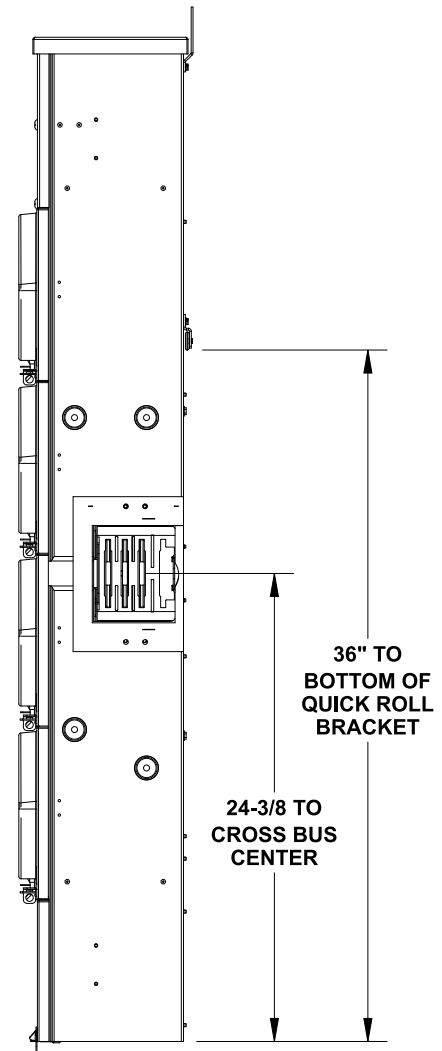
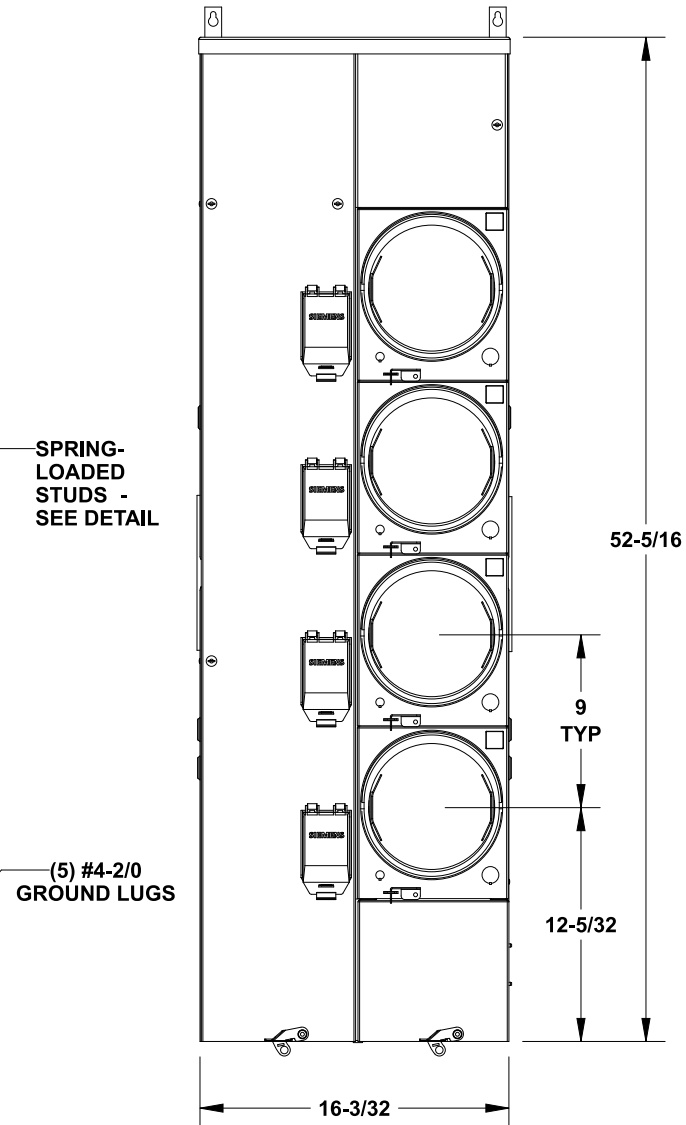
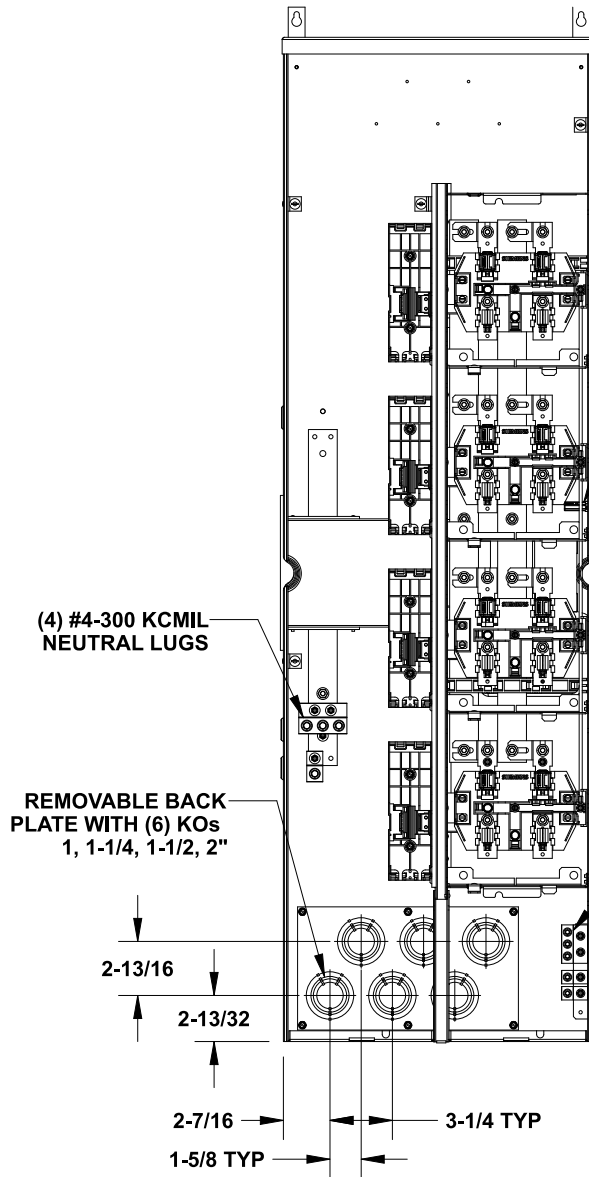
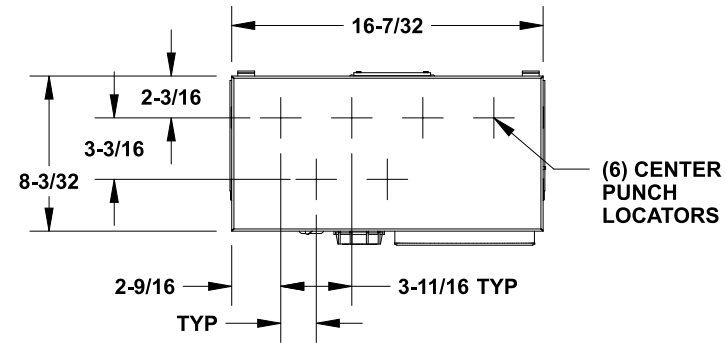


VIEW SHOWN WITHOUT COVER



WMM41225RB SHOWN

Catalog Numbers, Features and Ratings

- MAIN BUS RATING: 1200 AMPS, 240V AC MAX.
- METER SOCKET RATING: 200 AMPS CONTINUOUS
- 100,000 AIC RATING MAX.
- BRANCH RATING: TOP BRANCH 200A MAX, BOTTOM 3 BRANCHES 225A MAX.
- 1 PHASE INPUT / 1 PHASE OUTPUT
- TYPE 3R OUTDOOR ENCLOSURE
- MOUNTING RAILS AND ADJUSTABLE BRACKETS FOR SECURE MOUNTING

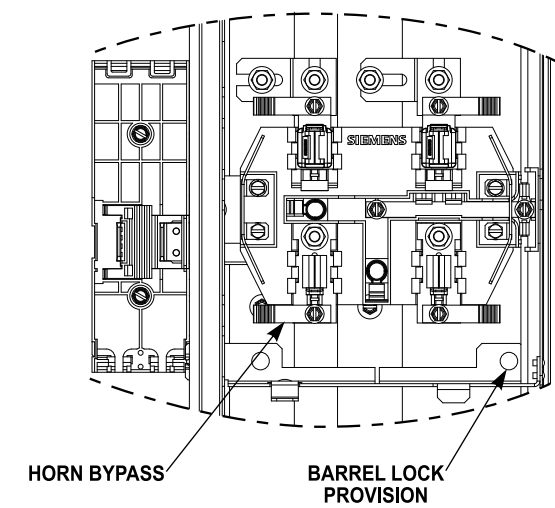
Catalog No.	Main Bus	Meter Positions	Cover Type	5th Jaw	Horn Bypass
WMM41225	1 Phase	4	Ring		
WMM41225R	1 Phase	4	Ringless		
WMM41225RB	1 Phase	4	Ringless		Installed
WMM41225J	1 Phase	4	Ring	Installed	
WMM41225RJ	1 Phase	4	Ringless	Installed	
WMM41225RJB	1 Phase	4	Ringless	Installed	Installed

Additional Modules

Module Description	Siemens Series#
FOR USE WITH:	
Main Breakers	(W)MC, WB, WEB, WXB
Switches	WMP, WMS, WS, WES
Tap/Terminal Boxes	WMTB, WTB, WET, WT PU
Pull Boxes	WMMB
Meter Module	(W)MM, WxMM, (W)MT, (W)ML, (W)MK
Meter Combinations	WC, WCL, WCT
Extension Box	WMEX, WSP, WSPD
Bussed Elbow	BE

Connect Modules Using:	Catalog Number / Torque
QuickConnect	QC1, Torque 400-440 lb-in (35-36 ft.-lb.)

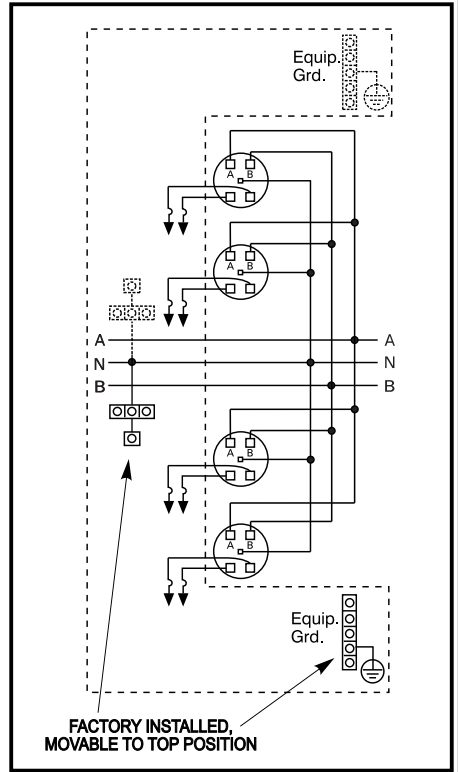
ENLARGED SOCKET DETAIL



Accessories

Description	Catalog No.
Horn By-Pass Mod	ECMFH
End Closure Plate	WMEP
5th Jaw Mod	ECMF5
Meter Cover Plate	ECCP3
Meter Socket	ECMFS
225A Breaker Mounting	ECMFBM2
Meter Cover, Ring Type	ECMFMC
Meter Cover, Ringless	ECMFMC R
Parts Kit	ECMFPK
Load Cover Screws	ECMFCS
Bottom Pull Cover	ECMFC
Mounting Rail	MMRAIL
Mounting Clip	MMCLIP
Quick Phase Strap	ECMFPS
Breaker Cover Repl.	ECBC
Mounting Tabs (2)	ECMFTAB
Ground Bar Kit	ECMFGN125
Neutral Bar Kit 225A	ECMFGN225
Ringless Conversion Kit	ECMMLCK
Back Rail/Clip	ECMFWLCLIP
Wall Mounting Rail (60")	MMZR60
QP Breaker Retainer	ECMBR2
KO Plate with Knockouts	ECMMKOP
KO Plate w/o Knockouts	ECMMNKOP

Schematic



© 2014 Copyright Siemens Industry, Inc.

SIEMENS
Siemens Industry, Inc.

PowerMod™ Meter Stack

Catalog Numbers: **WMM41225, WMM41225R, WMM41225RB, WMM41225J, WMM41225RJ, WMM41225RJB**

Size B Dwg. No. **225A 1Ph 4Pos**