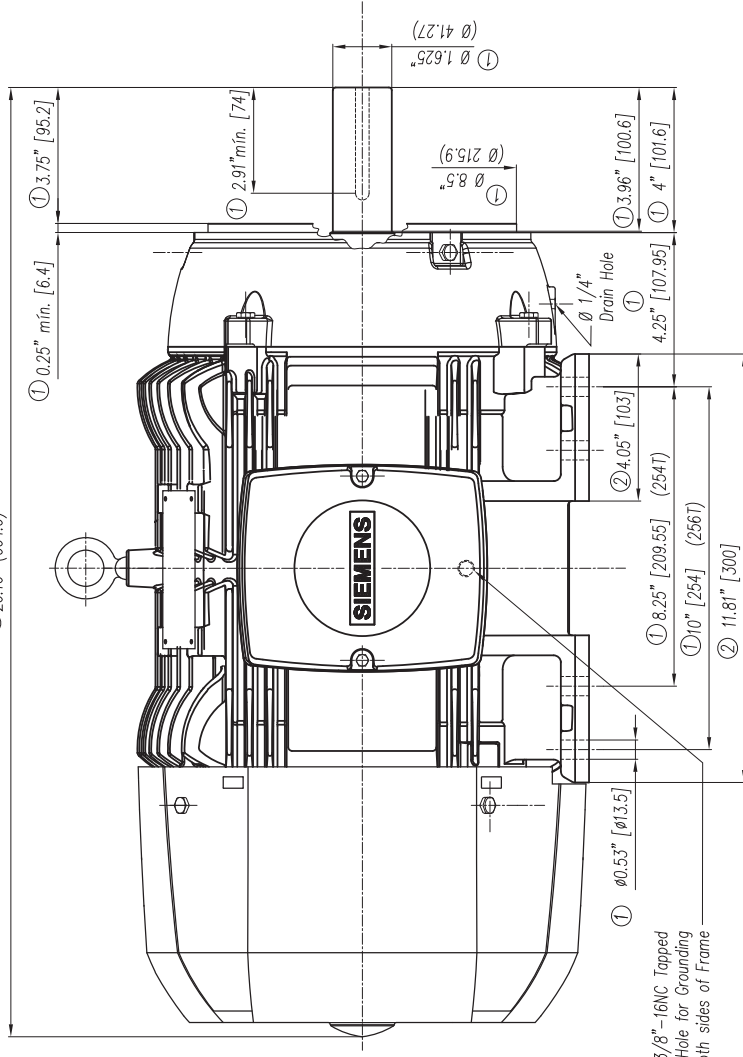


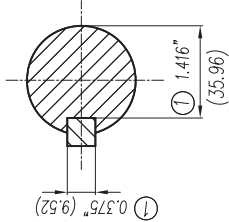
② 26.16" [664.6]



① 3/8"-16NC Tapped Hole for Grounding both sides of Frame

- ① Tolerancias acorde a NEMA Std.
- ② All these dimensions corresponding to assemblies and castings shall have a tolerance as per DIN standard 1686-GTB 19.
- ③ Not According to NEMA Std.

Tol. in mm. acc. to / Tol. en mm. segun DIN-1686-GTB-19	Over/desde To/hasta	18	30	50	80	120	180	250	315	400	500	630	800
---	---	± 4.5	± 4.7	± 5	± 5.5	± 6	± 6.5	± 7	± 7.5	± 8	± 8.5	± 9.5	± 10



Keysat detail
Detalle Cuñero

CERTIFIED PRINT / CERTIFICACION			
CUSTOMER/CLIENTE			
PROYECTO/COMPANIA	ESP/PROYECTO/CLIENTE		
IP	MARK/DIR	TYPE/TPD	PAF/AL
		VALTS	REV

European Projection / Proyeccion Europea		Date/fecha		Name/Nombre	
Modific		05/03/08		Guzmán	
Dim. in inches/Dim. en pulg.		Type/ Tipo: GP100		Scale/Escala	
		254/256TC Arm.		Sin W/O	
Outline/Dimensiones				New NEMA Motors	
SIEMENS				3MSE 223 0851a	
GUADALAJARA FACTORY				Ref. 3MSE 223 0851	
				Rep. 3MSE 223 0851	

② Se cambió formato a Inglés-Español y se especificó tipos en los que aplica este dibujo.
a) Changed the format to English-Spanish and was specified in what kind of motors apply this drawing.