

Mechanically held Lighting contactor Contactor amp rating 60Amp 0 NC / 2 NO poles 208VAC 60HZ coil Non-combination type Encl NEMA type 4X 304 S-steel Water/dust tight non-corrosive



Figure similar

|                         |   |
|-------------------------|---|
| Product brand name      | Class CLM                               |
| Design of the product   | Magnetically latched lighting contactor |
| Special product feature | Energy efficient; Quiet operation       |

| General technical data                                       |                          |
|--|--------------------------|
| Weight [lb]  | 8 lb                     |
| Height x Width x Depth [in]                                  | 16 × 13 × 6 in           |
| Protection against electrical shock                          | NA for enclosed products |
| Installation altitude [ft] at height above sea level maximum | 6560 ft                  |
| Country of origin  | USA                      |

| Contactor   |          |
|---|----------|
| Size of contactor   | 60 Amp   |
| Number of NO contacts for main contacts                                 | 2        |
| Number of NC contacts for main contacts                                 | 0        |
| Operating voltage for main current circuit at AC at 60 Hz maximum       | 600 V    |
| Mechanical service life (switching cycles) of the main contacts typical | 10000000 |

|  |  |
|--|--|
| Contact rating of the main contacts of lighting contactor  |  |
| <ul style="list-style-type: none"> <li>• at tungsten (1 pole per 1 phase) rated value</li> <li>• at tungsten (2 poles per 1 phase) rated value</li> <li>• at tungsten (3 poles per 3 phases) rated value</li> <li>• at ballast (1 pole per 1 phase) rated value</li> <li>• at ballast (2 poles per 1 phase) rated value</li> <li>• at ballast (3 poles per 3 phases) rated value</li> <li>• at resistive load (1 pole per 1 phase) rated value</li> <li>• at resistive load (2 poles per 1 phase) rated value</li> <li>• at resistive load (3 poles per 3 phases) rated value</li> </ul> | 60A @277V 1p 1ph<br>60A @480V 2p 1ph<br>60A @480V 3p 3ph<br>60A @347V 1p 1ph<br>60A @600V 2p 1ph<br>60A @600V 3p 3ph<br>60A @347V 1p 1ph<br><br>60A @600V 2p 1ph<br><br>60A @600V 3p 3ph |

#### Auxiliary contact

|   |    |
|---|----|
| Number of NC contacts for auxiliary contacts                      | 0  |
| Number of NO contacts for auxiliary contacts                      | 0  |
| Number of total auxiliary contacts maximum                        | 4  |
| Contact rating of auxiliary contacts of contactor according to UL | NA |

#### Coil

|  |              |
|--|--------------|
| Type of voltage of the control supply voltage                                  | AC           |
| Control supply voltage   |              |
| <ul style="list-style-type: none"> <li>• at AC at 60 Hz rated value</li> </ul> | 208 V        |
| Apparent pick-up power of magnet coil at AC                                    | 410 V·A      |
| Apparent holding power of magnet coil at AC                                    | 40 V·A       |
| Operating range factor control supply voltage rated value of magnet coil       | 0.85 ... 1.1 |

#### Enclosure

|   |  |
|---|--|
| Degree of protection NEMA rating of the enclosure | NEMA 4X 304 stainless steel enclosure        |
| Design of the housing                             | Dust-tight, watertight & corrosion resistant |

#### Mounting/wiring

|  |                                   |
|--|-----------------------------------|
| Mounting position  | Vertical                          |
| Mounting type  | Surface mounting and installation |
| Type of electrical connection for supply voltage line-side   | Box lug                           |
| Tightening torque [lbf·in] for supply  | 45 ... 50 lbf·in                  |
| Type of connectable conductor cross-sections at line-side at AWG conductors single or multi-stranded | 1x (14 ... 4 AWG)                 |
| Temperature of the conductor for supply maximum permissible  | 75 °C                             |
| Material of the conductor for supply   | AL or CU                          |

|   |                      |
|---|----------------------|
| Type of electrical connection for load-side outgoing feeder   | Box lug              |
| Tightening torque [lbf·in] for load-side outgoing feeder  | 45 ... 50 lbf·in     |
| Type of connectable conductor cross-sections at AWG conductors for load-side outgoing feeder single or multi-stranded | 1x (14 ... 4 AWG)    |
| Temperature of the conductor for load-side outgoing feeder maximum permissible  | 75 °C                |
| Material of the conductor for load-side outgoing feeder   | AL or CU             |
| Type of electrical connection of magnet coil  | Screw-type terminals |
| Tightening torque [lbf·in] at magnet coil   | 8 ... 12 lbf·in      |
| Type of connectable conductor cross-sections of magnet coil at AWG conductors single or multi-stranded                | 2x (16 ... 12 AWG)   |
| Temperature of the conductor at magnet coil maximum permissible   | 75 °C                |
| Material of the conductor at magnet coil  | CU                   |

#### Short-circuit current rating

|  |                                      |
|--|--------------------------------------|
| Design of the fuse link for short-circuit protection of the main circuit required  | none                                 |
| Design of the short-circuit trip   | Thermal magnetic circuit breaker     |
| Maximum short-circuit current breaking capacity (Icu) <ul style="list-style-type: none"> <li>• at 240 V</li> <li>• at 480 V</li> <li>• at 600 V</li> </ul> | 5 kA<br>5 kA<br>5 kA                 |
| Certificate of suitability   | NEMA ICS 2; UL 508; CSA 22.2, No. 14 |

#### Further information

##### Industrial Controls - Product Overview (Catalogs, Brochures,...)

[www.usa.siemens.com/iccatalog](http://www.usa.siemens.com/iccatalog)

##### Industry Mall (Online ordering system)

<https://mall.industry.siemens.com/mall/en/us/Catalog/product?mlfb=US2:CLMSD02208>

##### Service&Support (Manuals, Certificates, Characteristics, FAQs,...)

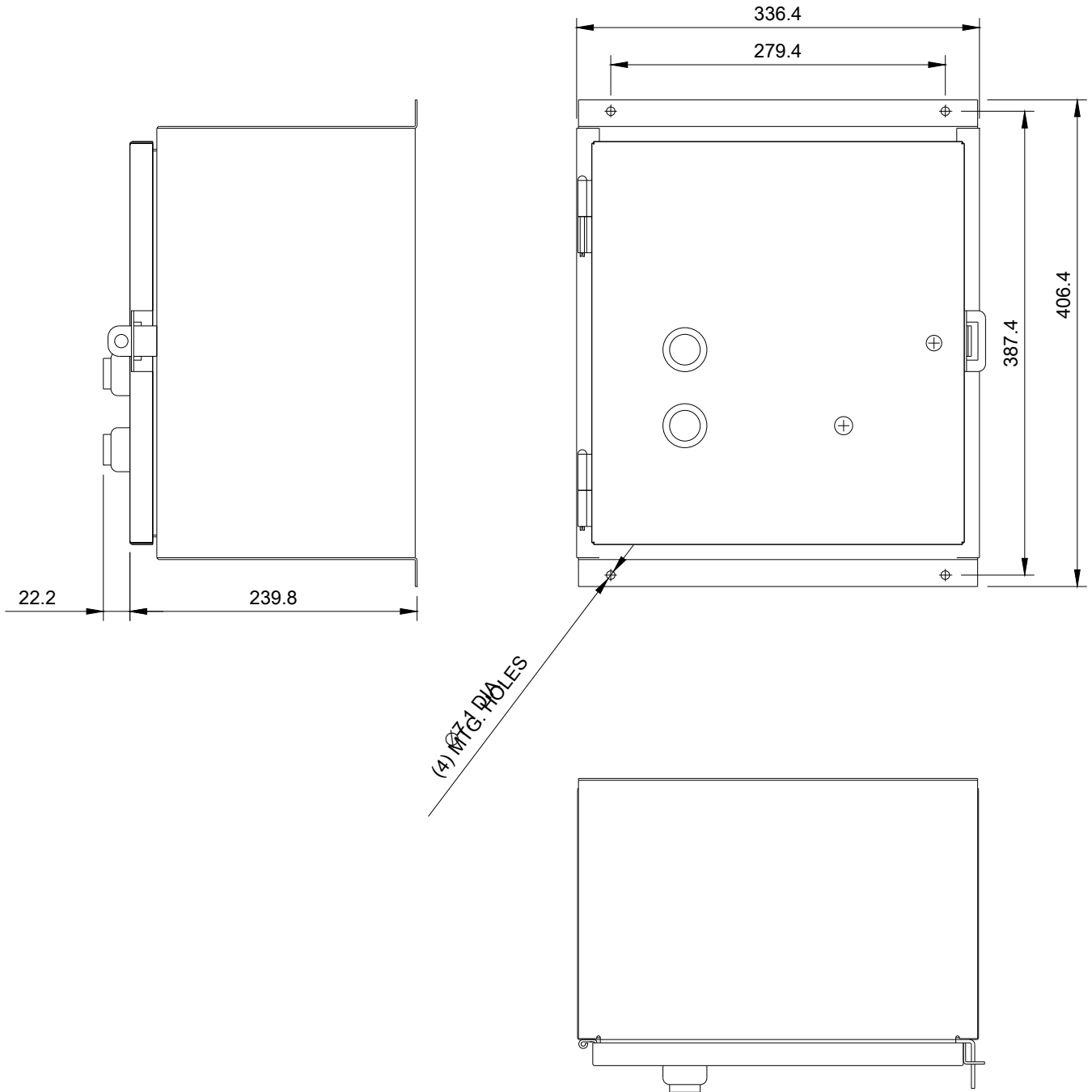
<https://support.industry.siemens.com/cs/US/en/ps/US2:CLMSD02208>

##### Image database (product images, 2D dimension drawings, 3D models, device circuit diagrams, EPLAN macros, ...)

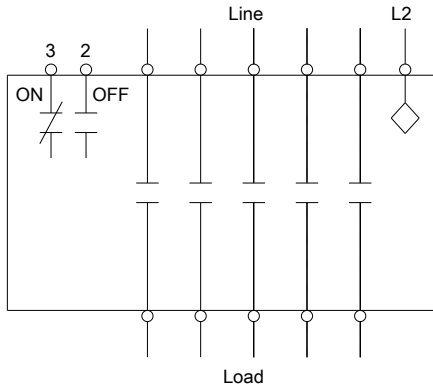
[http://www.automation.siemens.com/bilddb/cax\\_de.aspx?mlfb=US2:CLMSD02208&lang=en](http://www.automation.siemens.com/bilddb/cax_de.aspx?mlfb=US2:CLMSD02208&lang=en)

##### Certificates/approvals

<https://support.industry.siemens.com/cs/US/en/ps/US2:CLMSD02208/certificate>



Wiring Diagram Class CLM  
30-200 Amp 2, 3, 4 and 5 Pole



Notes:

1. Dotted lines represent additional poles.  
Contactor may have 2, 3, 4 or 5 poles.
2. Optional auxiliary contacts are not shown.

E87010-A0410-T009-A1-CLM-1

last modified:

10/21/2019