

accessory for VL160X, VL160, VL250 mot. op. mech. w/ strd en. mech 24 VDC  
spare part product only for replacement purposes

Model	
product brand name	SETRON
product designation	Motorized operating mechanism with stored energy mechanism
design of the product	Accessories for VL160X; VL160; VL250
type of the driving mechanism	Motorized operating mechanism with spring energy store
General technical data	
operating frequency maximum	120 1/h
Voltage	
fuse protection type for external auxiliary power supply required	NEOZED fuse (gL/gG): 6 A / miniature circuit breaker, C char.: 6 A
operating range factor control supply voltage rated value	
• at DC initial value	0.85
• at DC full-scale value	1.1
• at AC at 50 Hz initial value	0.85
• at AC at 50 Hz full-scale value	1.1
• at AC at 60 Hz initial value	0.85
• at AC at 60 Hz full-scale value	1.1
Protection class	
protection class IP	IP30
Control current	
operating apparent power	100 VA
control supply voltage	
• at DC rated value minimum	24 V
• at DC rated value maximum	24 V
pulse duration minimum	50 ms
Connections	
stripped length	10 mm
connectable conductor cross-section solid	
• minimum	0.75 mm <sup>2</sup>
• maximum	1.5 mm <sup>2</sup>
connectable conductor cross-section stranded	
• minimum	0.75 mm <sup>2</sup>
• maximum	1.5 mm <sup>2</sup>
connectable conductor cross-section finely stranded with core end processing	
• minimum	0.75 mm <sup>2</sup>
• maximum	1.5 mm <sup>2</sup>
tightening torque	
• minimum	1 N·m
• maximum	1.2 N·m
Mechanical Design	

height	103 mm
width	98 mm
depth	166 mm
net weight	2 755 g

### Environmental conditions

<b>ambient temperature during operation</b>	
• minimum	-25 °C
• maximum	70 °C
<b>ambient temperature during storage</b>	
• minimum	-40 °C
• maximum	80 °C

### Certificates

reference code according to IEC 81346-2	M
---	---

### Approvals Certificates

General Product Approval	Test Certificates	other
--------------------------	-------------------	-------



[Special Test Certificate](#)

[Miscellaneous](#)

[Confirmation](#)

### Environment

[Environmental Conformations](#)

[Environmental Conformations](#)

### Further information

#### Information on the packaging

<https://support.industry.siemens.com/cs/ww/en/view/109813875>

#### Information- and Downloadcenter (Catalogs, Brochures,...)

<http://www.siemens.com/lowvoltage/catalogs>

#### Industry Mall (Online ordering system)

<https://mall.industry.siemens.com/mall/en/en/Catalog/product?mlfb=3VL9300-3MJ00>

#### Service&Support (Manuals, Certificates, Characteristics, FAQs,...)

<https://support.industry.siemens.com/cs/ww/en/ps/3VL9300-3MJ00>

#### Image database (product images, 2D dimension drawings, 3D models, device circuit diagrams, ...)

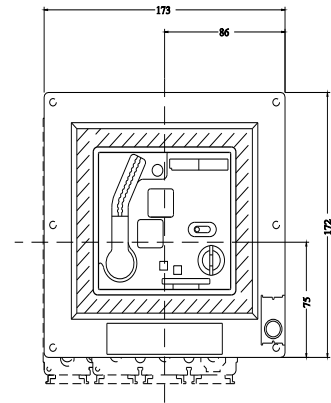
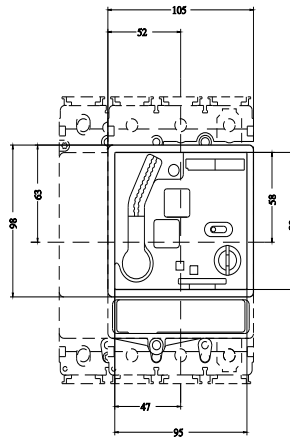
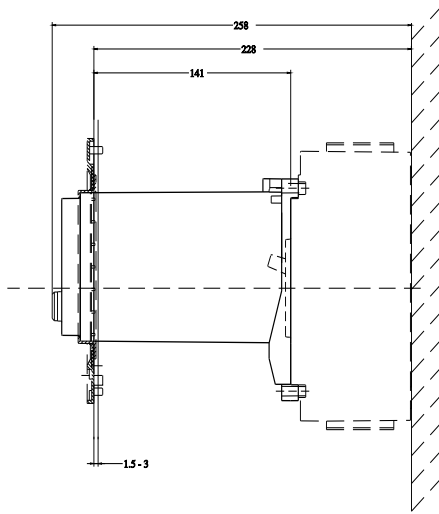
[http://www.automation.siemens.com/bilddb/cax\\_en.aspx?mlfb=3VL9300-3MJ00](http://www.automation.siemens.com/bilddb/cax_en.aspx?mlfb=3VL9300-3MJ00)

#### CAX-Online-Generator

<http://www.siemens.com/cax>

#### Tender specifications

<http://www.siemens.com/specifications>



last modified:

3/11/2024 

