

Selector switch, illuminable, 30 mm, round, Metal, matte, red, selector switch, long, front ring for flush installation, 3 switch positions I>O<II, momentary contact type, actuating angle 2x45°, 10:30h/12h/13:30h, Z=50-unit packaging



| | |
|--------------------------|-----------------------------|
| Product brand name | SIRIUS ACT |
| Product designation | Selector switches |
| Design of the product | Actuating/signaling element |
| Product type designation | 3SU1 |
| Product line | Metal, matt, flat, 30 mm |

| Enclosure | |
|--------------------------|---|
| Number of command points | 1 |

| Actuator | |
|---|---|
| Design of the operating mechanism | Selector, long |
| Manner of function of the actuating element | momentary contact, 2x45° (10:30 h/12 h/13:30 h), return on both sides |
| Product extension optional Light source | Yes |
| Color of the actuating element | red |
| Material of the actuating element | plastic |
| Shape of the actuating element | Handle |
| Outer diameter of the actuating element | 44.8 mm |
| Number of switching positions | 3 |
| Actuating angle | 45° |
| <ul style="list-style-type: none"> clockwise | |

- anticlockwise

45°

Front ring

| | |
|------------------------------|-------------|
| Product component front ring | Yes |
| Design of the front ring | Flat |
| Material of the front ring | Metal, matt |
| Color of the front ring | sand gray |

General technical data

| | |
|---|-----------------------------------|
| Protection class IP | IP66, IP67, IP69(IP69K) |
| Degree of protection NEMA rating | NEMA 1, 2, 3, 3R, 4, 4X, 12, 13 |
| Shock resistance | Sinusoidal half-wave 50 g / 11 ms |
| <ul style="list-style-type: none"> • acc. to IEC 60068-2-27 • for railway applications acc. to DIN EN 61373 | Category 1, Class B |
| Vibration resistance | 10 ... 500 Hz: 5g |
| <ul style="list-style-type: none"> • acc. to IEC 60068-2-6 • for railway applications acc. to DIN EN 61373 | Category 1, Class B |
| Operating frequency maximum | 1 800 1/h |
| Mechanical service life (switching cycles) | |
| <ul style="list-style-type: none"> • typical | 300 000 |
| Reference code acc. to DIN EN 81346-2 | S |
| Reference code acc. to DIN EN 61346-2 | S |

Safety related data

| | |
|---|---------|
| B10 value | |
| <ul style="list-style-type: none"> • with high demand rate acc. to SN 31920 | 300 000 |
| Proportion of dangerous failures | |
| <ul style="list-style-type: none"> • with low demand rate acc. to SN 31920 • with high demand rate acc. to SN 31920 | 20 % |
| Failure rate [FIT] | |
| <ul style="list-style-type: none"> • with low demand rate acc. to SN 31920 | 100 FIT |
| T1 value for proof test interval or service life acc. to IEC 61508 | 20 y |

Ambient conditions





| | |
|--|---|
| Ambient temperature | |
| <ul style="list-style-type: none"> • during operation • during storage | -25 ... +70 °C |
| Environmental category during operation acc. to IEC 60721 | 3M6, 3S2, 3B2, 3C3, 3K6 (with relative air humidity of 10 ... 95 %) |

Installation/ mounting/ dimensions


| | |
|-----------------------------------|---------|
| Height | 44.8 mm |
| Width | 44.8 mm |
| Shape of the installation opening | round |
| Mounting diameter | 30.5 mm |

| | |
|---|---------|
| Positive tolerance of installation diameter | 0.5 mm |
| Mounting height | 22.1 mm |
| Installation width | 44.8 mm |
| Installation depth | 32.1 mm |

Certificates/ approvals

| | | |
|---|----------------------------------|--|
| General Product Approval | Declaration of Conformity | Test Certificates |
|  CSA  UL  EAC  EG-Konf. | Miscellaneous | Type Test Certificates/Test Report |

| | |
|--|---|
| Test Certificates | Marine / Shipping |
| Special Test Certificate |  ABS  LRS  PRS  RINA  RMRS |

| | |
|--|------------------------------|
| Marine / Shipping | other |
|  DNV-GL DNVGL.COM/AF | Confirmation |

Further information

Information- and Downloadcenter (Catalogs, Brochures,...)

<https://www.siemens.com/ic10>

Industry Mall (Online ordering system)

<https://mall.industry.siemens.com/mall/en/en/Catalog/product?mlfb=3SU1062-2EM20-0AA0-Z X90>

Cax online generator

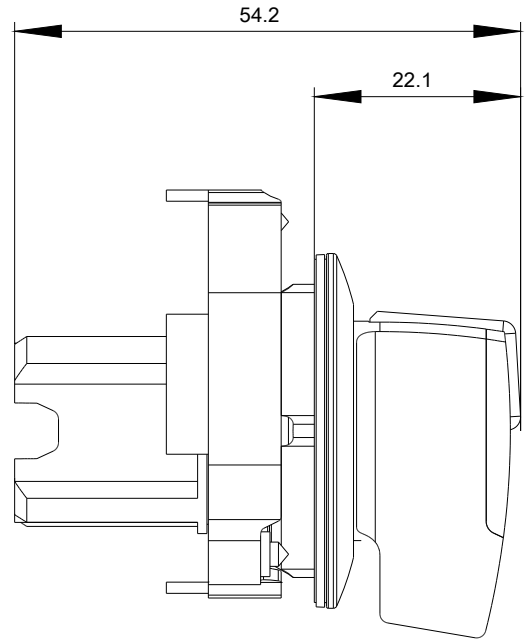
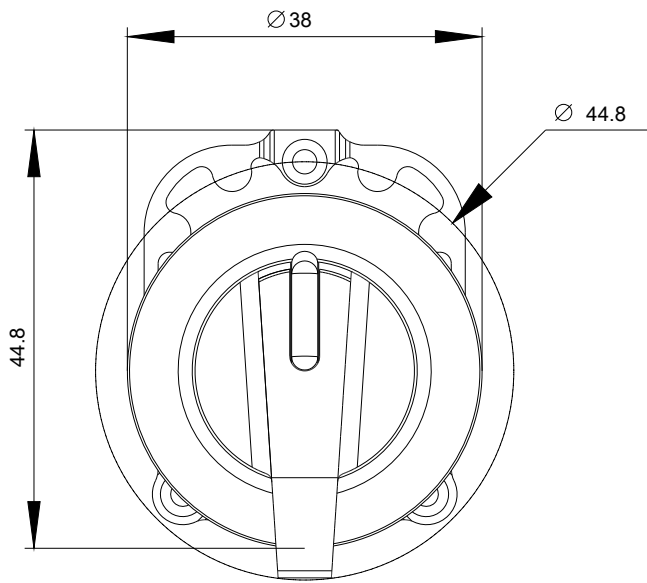
<http://support.automation.siemens.com/WW/CAXorder/default.aspx?lang=en&mlfb=3SU1062-2EM20-0AA0-Z X90>

Service&Support (Manuals, Certificates, Characteristics, FAQs,...)

<https://support.industry.siemens.com/cs/ww/en/ps/3SU1062-2EM20-0AA0-Z X90>

Image database (product images, 2D dimension drawings, 3D models, device circuit diagrams, EPLAN macros, ...)

http://www.automation.siemens.com/bilddb/cax_de.aspx?mlfb=3SU1062-2EM20-0AA0-Z X90&lang=en



last modified:

02/06/2020