

Switch disconnecter with fuse in new design Iu=160 A, Ue = 690 V, 3-pole for LV HRC fuse Sz. 00 basic version without 8UC6 handle and shaft



Figure similar

Model	
Product brand name	SENTRON
version	Basic version without handle
Design type	For mounting and installation
Design of the operating mechanism	manual operating mechanism
Design of the load switch / Strip form	No
Type of the driving mechanism / motor drive	No
Number of poles	3
Size of disconnecting link	00 and 000
Fuse system	LV HRC fuse
Insulation voltage / rated value	1 000 V
Surge voltage resistance / rated value	8 000 V
Protection class	
Protection class IP	IP00
Dissipation	
Power loss [W] / for rated value of the current / at AC / in hot operating state / per pole	12 W

## Electricity

Operating current / at AC-21 / rated value	160 A
Continuous current / rated value	160 A
Let-through current / I <sub>2t</sub> / maximum permissible / in utilization category / AC-22 B / at 400 V	223 000 A <sup>2</sup> ·s

## Main circuit

Number of poles / for main current circuit	3
Operating power	
<ul style="list-style-type: none"> <li>• at AC-23 A / at 400 V / at 50/60 Hz / rated value</li> <li>• at AC-23 A / at 500 V / at 50/60 Hz / rated value</li> <li>• at AC-23 A / at 690 V / at 50/60 Hz / rated value</li> </ul>	80 000 W 80 000 W 110 000 W
Operating voltage	
<ul style="list-style-type: none"> <li>• at AC / at 50/60 Hz / rated value</li> <li>• at DC / rated value</li> </ul>	690 V 440 V
Rated current I <sub>e</sub> / maximum / in utilization category	
<ul style="list-style-type: none"> <li>• AC-21 A / at 400 V</li> <li>• AC-21 A / at 500 V</li> <li>• AC-21 B / at 400 V</li> <li>• AC-21 B / at 500 V</li> <li>• AC-22 A / at 400 V</li> <li>• AC-22 A / at 500 V</li> <li>• AC-22 B / at 400 V</li> <li>• AC-22 B / at 500 V</li> </ul>	160 A 160 A 160 A 160 A 160 A 160 A 160 A 160 A

## Auxiliary circuit

Number of CO contacts / for auxiliary contacts	0
Number of NC contacts / for auxiliary contacts	0
Number of NO contacts / for auxiliary contacts	0
Product feature / interlock	Yes

## Short circuit

Conditional rated short-circuit current	
<ul style="list-style-type: none"> <li>• 400V</li> <li>• 500V</li> <li>• in utilization category / AC-21 A / at 400 V</li> <li>• in utilization category / AC-21 A / at 500 V</li> <li>• in utilization category / AC-21 B / at 400 V</li> <li>• in utilization category / AC-21 B / at 500 V</li> <li>• in utilization category / AC-22 A / at 400 V</li> <li>• in utilization category / AC-22 A / at 500 V</li> <li>• in utilization category / AC-22 B / at 400 V</li> <li>• in utilization category / AC-22 B / at 500 V</li> </ul>	100 kA 100 kA 100 kA 100 kA 100 kA 100 kA 100 kA 100 kA 100 kA 100 kA

## Connections

<b>Connectable conductor cross-section</b> <ul style="list-style-type: none"><li>• for main contacts<ul style="list-style-type: none"><li>— stranded / maximum</li></ul></li></ul>	120 mm <sup>2</sup>
Type of connection, main circuit	flat pad connection, M8
<b>Type of electrical connection</b> <ul style="list-style-type: none"><li>• for main current circuit</li></ul>	flat connector

## Mechanical Design

Height	125 mm
Width	185 mm
Depth	143 mm
Type of mounting	fixed mounted
Mounting position	any
Mounting type	Surface mounting and installation
Mounting type <ul style="list-style-type: none"><li>• front mounting with 4-hole attachment</li><li>• front mounting with central attachment</li><li>• rail mounting</li></ul>	No No No

## Environmental conditions

Ambient temperature <ul style="list-style-type: none"><li>• during operation / minimum</li><li>• during operation / maximum</li><li>• during storage / minimum</li><li>• during storage / maximum</li></ul>	185 °C -25 °C -50 °C 80 °C
---	-------------------------------------

## Certificates

Certificate of suitability	UR
Reference code / acc. to DIN EN 61346-2	Q

<b>General Product Approval</b>	<b>Declaration of Con- formity</b>	<b>other</b>
---------------------------------	--	--------------



CCC



UR



EG-Konf.

[Environmental Confirma-  
tions](#)

## Further information

**Information- and Downloadcenter (Catalogs, Brochures,...)**

<http://www.siemens.com/lowvoltage/catalogs>

**Industry Mall (Online ordering system)**

<https://mall.industry.siemens.com/mall/en/en/Catalog/product?mlfb=3KL5330-1AB01>

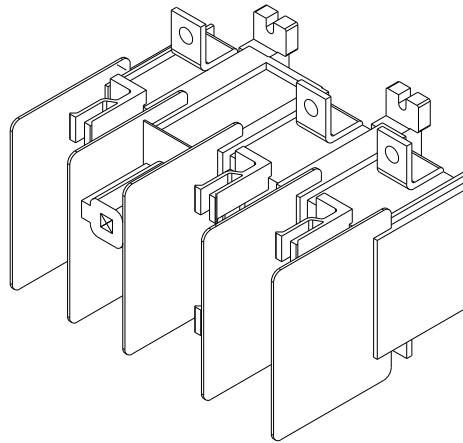
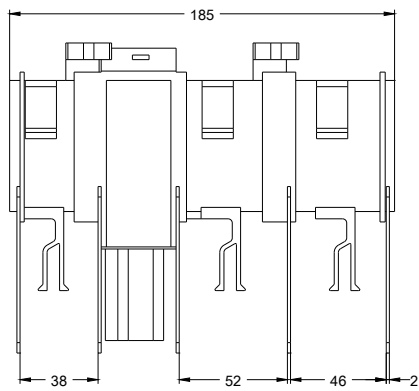
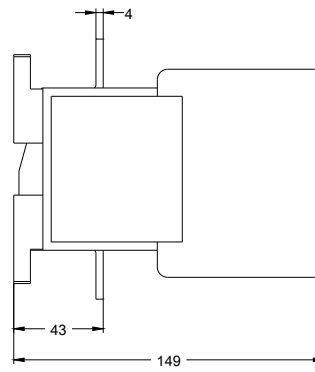
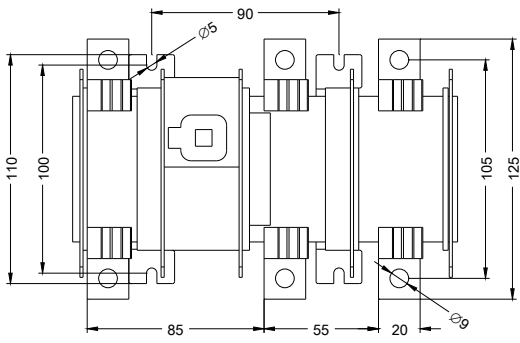
**Service&Support (Manuals, Certificates, Characteristics, FAQs,...)**

<https://support.industry.siemens.com/cs/ww/en/ps/3KL5330-1AB01>

Image database (product images, 2D dimension drawings, 3D models, device circuit diagrams, ...)  
[http://www.automation.siemens.com/bilddb/cax\\_en.aspx?mlfb=3KL5330-1AB01](http://www.automation.siemens.com/bilddb/cax_en.aspx?mlfb=3KL5330-1AB01)

CAX-Online-Generator  
<http://www.siemens.com/cax>

Tender specifications  
<http://www.siemens.com/specifications>



SIEMENS