

bus connector extended front mounted, 4 units accessory for: 3VA52; 3VA61/62



Model	
product brand name	SENTRON
product designation	bus connector extended
accessories	Bus connector extended
Connections according IEC	
thickness / of the busbar	1.5
• minimum	
• maximum	
thickness / of the busbar / maximum	10 mm
width / of the busbar / maximum	32 mm
Connections according UL	
width / of the busbar / maximum	1.3 in
thickness / of the busbar / minimum	0.06 in
thickness / of the busbar / maximum	0.4 in
Certificates	
General Product Approval	EMV



[Miscellaneous](#)



Test Certificates	Marine / Shipping	other	Environment		
Type Test Certificates/Test Report		Confirmation	Miscellaneous	Miscellaneous	Environmental Confirmations

Environment

[Environmental Confirmations](#)

Further information

Information on the packaging
<https://support.industry.siemens.com/cs/ww/en/view/109813875>
 Information- and Downloadcenter (Catalogs, Brochures,...)

<http://www.siemens.com/lowvoltage/catalogs>

Industry Mall (Online ordering system)

<https://mall.industry.siemens.com/mall/en/en/Catalog/product?mlfb=3VA9274-0QB00>

Service&Support (Manuals, Certificates, Characteristics, FAQs,...)

<https://support.industry.siemens.com/cs/ww/en/ps/3VA9274-0QB00>

Image database (product images, 2D dimension drawings, 3D models, device circuit diagrams, ...)

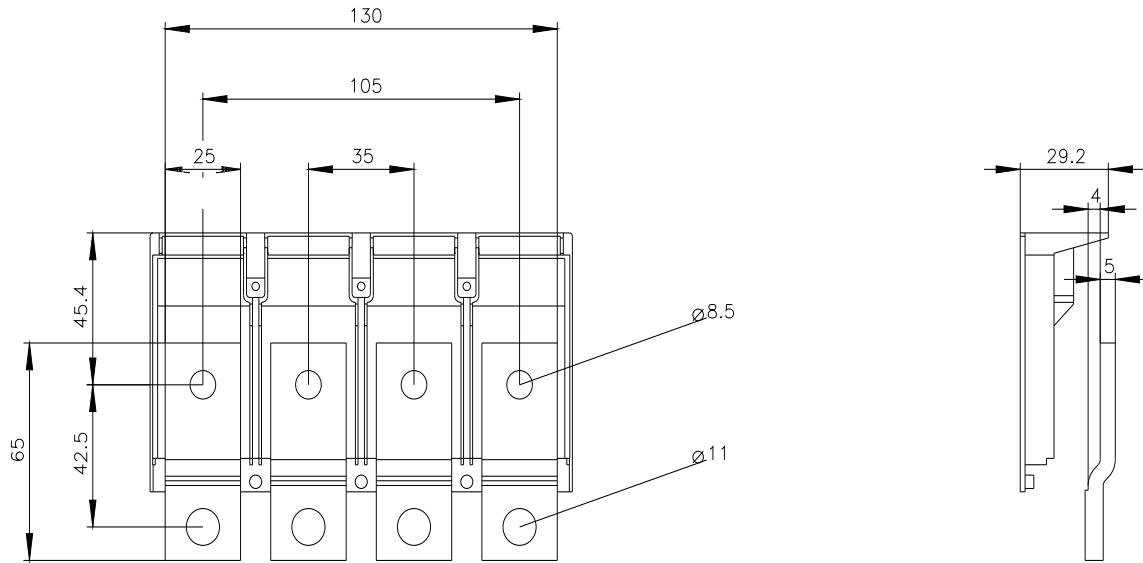
http://www.automation.siemens.com/bilddb/cax_en.aspx?mlfb=3VA9274-0QB00

CAX-Online-Generator

<http://www.siemens.com/cax>

Tender specifications

<http://www.siemens.com/specifications>



last modified:

8/9/2024 

