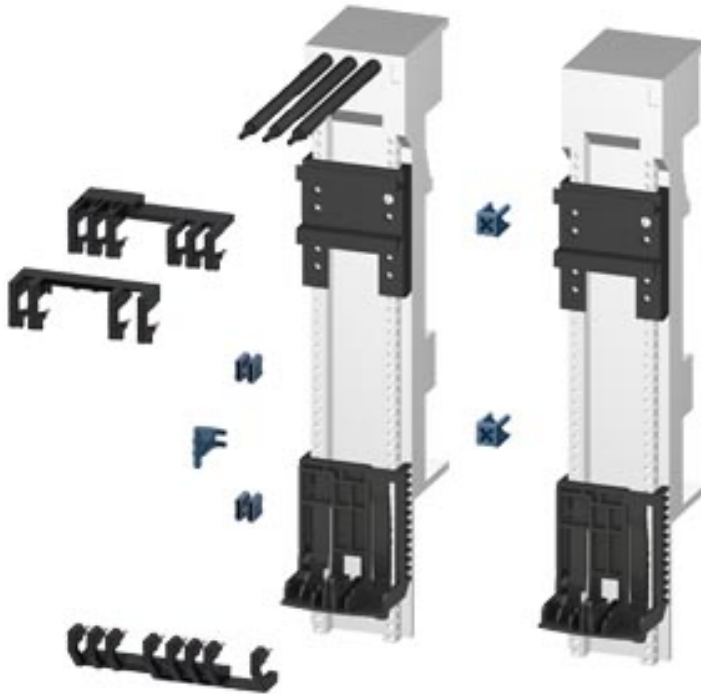


Wiring kit spring-type Electrical and mechanical complete for load feeders fuseless, Size S00 for 60 mm busbar systems consists of Wiring module busbar adapter Device holder and side modules



General technical data		
Product brand name		SIRIUS
Product designation		Mounting kit
Design of the product		Load feeders with circuit breaker S00, contactor S00, busbar
Size of the circuit-breaker		S00
Size of contactor		S00
Installation/ mounting/ dimensions		
Mounting type		clip-on
Certificates/approvals		

General Product Approval	Declaration of Conformity	Shipping Approval
--------------------------	---------------------------	-------------------



[Miscellaneous](#)



Shipping Approval	other
-------------------	-------



[Confirmation](#)

### Further information

**Information- and Downloadcenter (Catalogs, Brochures,...)**

<http://www.siemens.com/industrial-controls/catalogs>

**Industry Mall (Online ordering system)**

<https://mall.industry.siemens.com/mall/en/en/Catalog/product?mlfb=3RA2913-1DB2>

**Cax online generator**

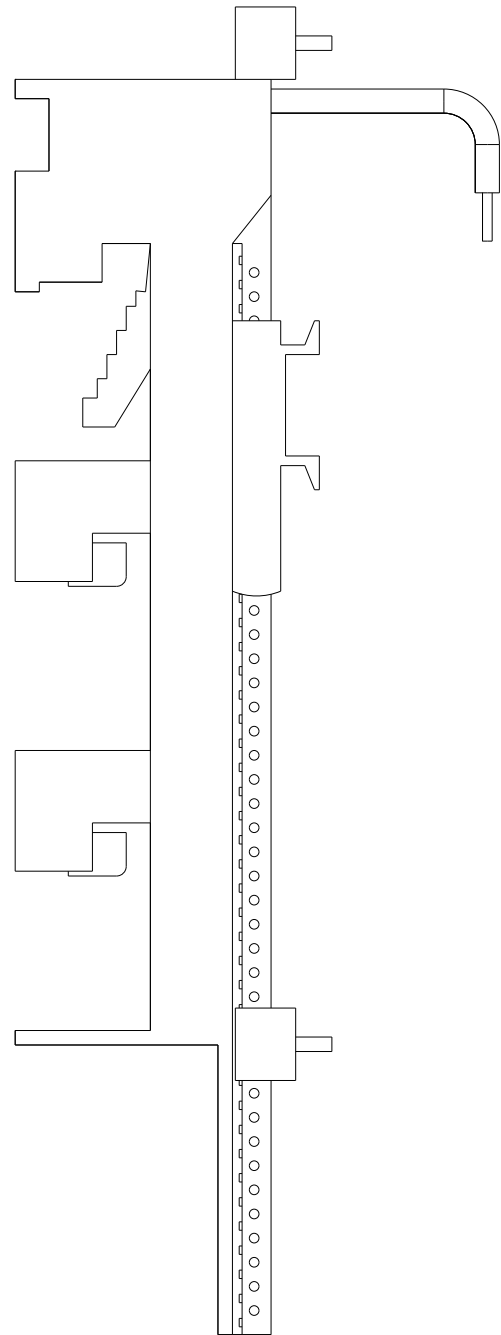
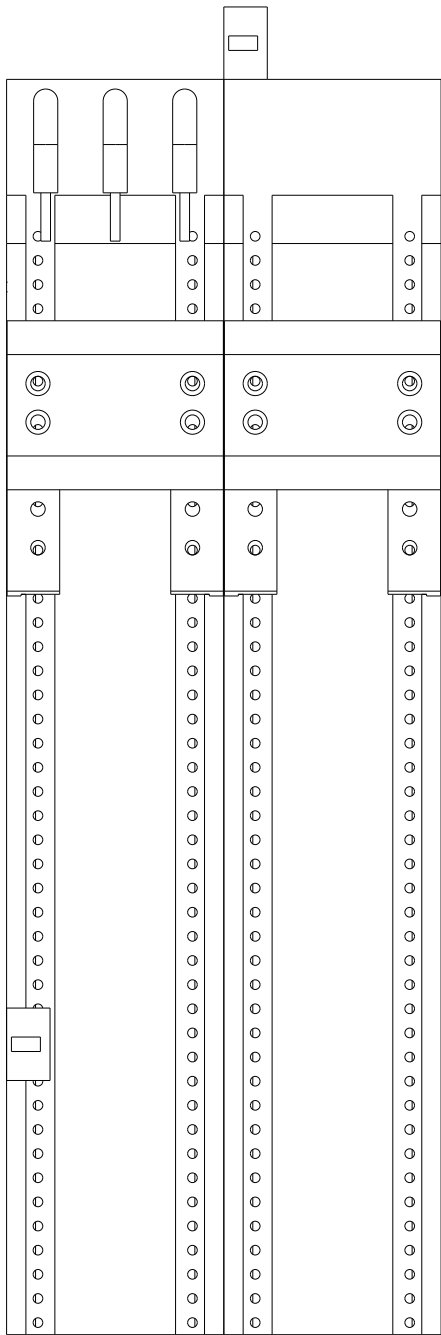
<http://support.automation.siemens.com/WW/CAXorder/default.aspx?lang=en&mlfb=3RA2913-1DB2>

**Service&Support (Manuals, Certificates, Characteristics, FAQs,...)**

<https://support.industry.siemens.com/cs/ww/en/ps/3RA2913-1DB2>

**Image database (product images, 2D dimension drawings, 3D models, device circuit diagrams, EPLAN macros, ...)**

[http://www.automation.siemens.com/bilddb/cax\\_de.aspx?mlfb=3RA2913-1DB2&lang=en](http://www.automation.siemens.com/bilddb/cax_de.aspx?mlfb=3RA2913-1DB2&lang=en)



last modified:

10/17/2019