

THIS COPY IS PROVIDED ON A RESTRICTED BASIS AND IS NOT TO BE USED IN ANY WAY DETRIMENTAL TO THE INTERESTS OF PANDUIT CORP.

PANDUIT P/N	WEIGHT
SEE SHEET 2	SEE SHEET 2

SPECIFICATION:

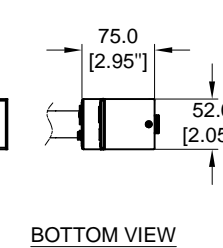
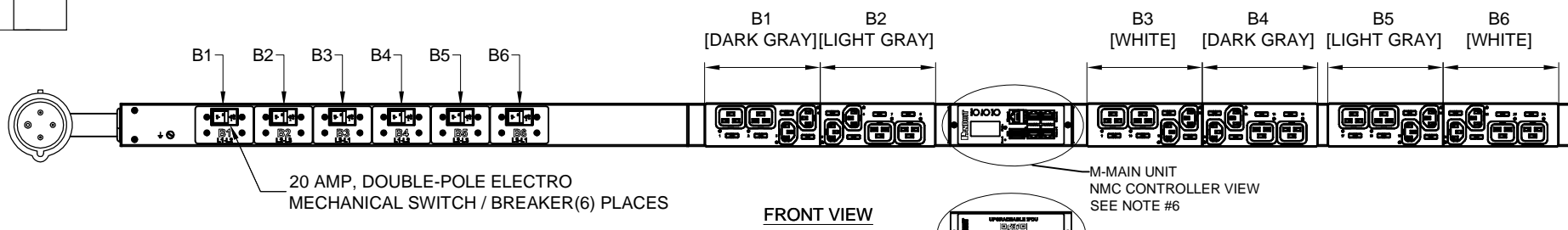
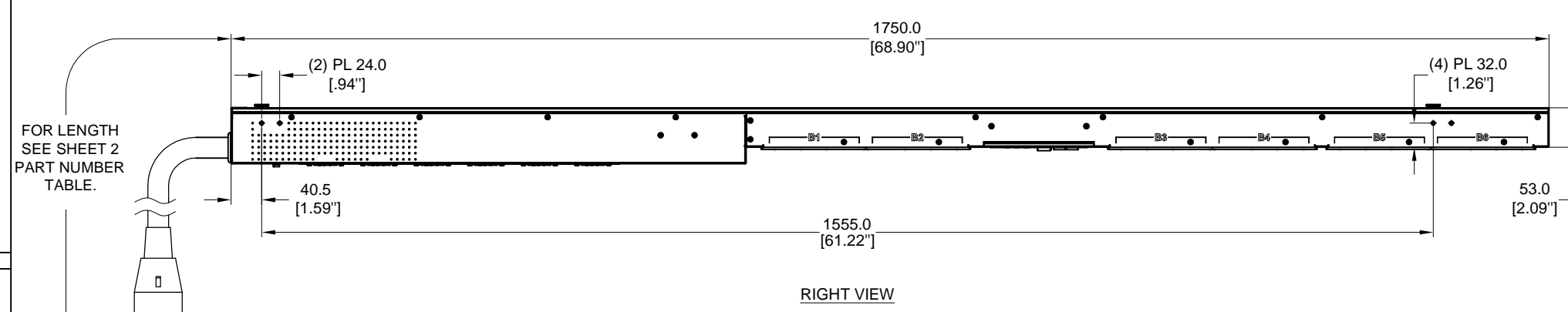
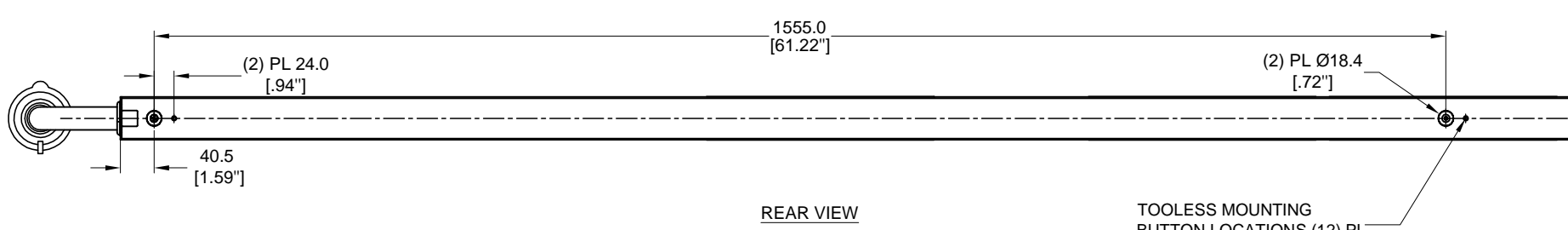
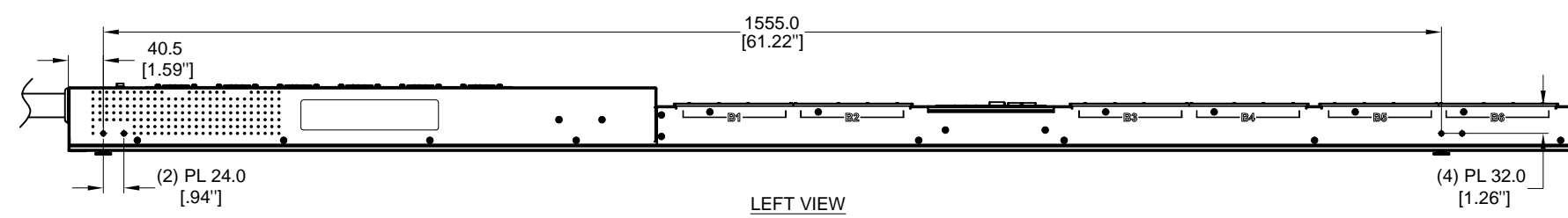
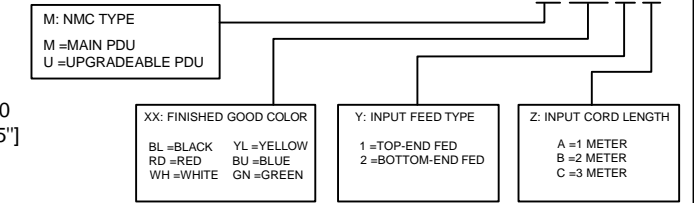
1. STANDARD:
- | | |
|----------------------|------------------------------|
| UNIT TYPE: | SEE SHEET 2 |
| ORIENTATION: | VERTICAL, 0U, FULL |
| OUTLET QTY&TYPE: | (12) C13, (12) C19 |
| INPUT VOLTAGE: | 200-240VAC |
| INPUT CURRENT: | 60A (48A DERATED) |
| JAPAN INPUT CURRENT: | 60A |
| BREAKER QTY&TYPE: | (6) 20AMP, DOUBLE-POLE |
| INPUT PHASE: | THREE-PHASE DELTA |
| RATED POWER: | 17.3kVA |
| INPUT PLUG: | IEC 60309 3P+E 9H 60A |
| INPUT POWER CORD: | SEE SHEET 2 FOR NUMBER TABLE |
| REGULATORY STANDARD: | RoHS COMPLIANT |
2. ADDITIONAL:
NONE
3. ACCESSORIES:
(1) QUICK-START GUIDE

NOTES:

- PRIMARY DIMENSIONS ARE IN MILLIMETERS. SECONDARY DIMENSION ARE IN [INCHES]
- INSTALLATION SHALL COMPLY WITH ALL APPLICABLE NATIONAL, STATE, AND LOCAL CODES
- VISIT OUR ON-LINE CATALOG AT WWW.PANDUIT.COM FOR A CURRENT LIST OF PRODUCTS APPLICABLE FOR USE WITH THIS PART
- FOR FULL PRODUCT FUNCTIONALITY REFER TO USER MANUAL
- DRAWING VIEWS SHOW THE INPUT CORD IN THE "TOP END FED" CONFIGURATION
- PARTS USING UPGRADEABLE IPDU BLANKING PANEL CAN BE UPGRADED TO INTELLIGENT MODELS USING PANDUIT CONTROLLER PART NUMBER MA002

IDENTIFICATION

FOR FINISHED GOOD PART NUMBER & DESCRIPTION TABLE SEE SHEET 2 CONFIGURABLE PART NUMBERS: **P24E32M-XX Y Z**



PLUG/RECEPTACLE BLOCK

PLUG
IEC 60309, 3P 4W, 9H
IP44 (SPASHPROOF)
60A, 250V, 3-PHASE MAX RATED INPUT
48A DERATED

RECEPTACLES
IEC 60320/C19
16A, 250V MAX RATED OUTPUT

RECEPTACLES
IEC 60320/C13
10A, 250V MAX RATED OUTPUT

REV	DATE	BY	CHK	APR	DESCRIPTION	ECN
04A	05/18/2022	FYZ	MIM	MJD	1. ADDED UPGRADEABLE PDU OPTION 2. REMOVED OBSOLETE SKU'S	P24E32M
03B	01/15/2021	huang	MIM	JAWI	ADD JAPAN INPUT CURRENT & UPDATED THE COMPLIANCE LABEL	P24E32M
03A	06/11/2020	CWW	MIM	JAWI	UPDATED THE OUTLET DESIGN	P24E32M
02A	06/07/2018	H.XU	MIM	JAWI	ADDED SHEET 2 WITH CONFIGURABLE PART NUMBER TABLE AND DESCRIPTION UPDATED IDENTIFICATION TO INCLUDE CONFIGURABLE OPTION 'DE-CODER' UPDATED CIRCUIT BREAKER LABELS WITH ROTATED TEXT	P24E32M
01B	12/14/2017	GEORGE	MIM	JAWI	UPDATED DESCRIPTION	P24E32M
01A	10/10/2017	GEORGE	MIM	EDM	INITIAL RELEASE	P24E32M

WE ASK THAT YOU CHECK FULLY THE DIMENSIONS, NOTES, AND SIGN THE CLIENT SIGNATURE BOX. THE JOB WILL NOT PROGRESS WITHOUT SIGNED APPROVAL PLEASE DO NOT DELAY IN RETURNING PROOF AS IT WILL AFFECT DELIVERY

TITLE: INTELLIGENT SERIES PDU
P24E32M-XXYZ
CUSTOMER DRAWING

ITEM REVISION NAME:

DATASHEET FILE NAME:

UNLESS OTHERWISE SPECIFIED DIMENSIONAL TOLERANCE ARE: mm [IN]

Tolerance (mm)	
0.4<50	±0.5
50.4<250	±1.0
250.4<500	±1.5
500.4<1000	±2.5
1000.4<2000	±4.0

MATERIAL/COLOR: N/A

DRAWING NUMBER: P24E32M_DC

DRAWN BY DATE: GEORGE 10/10/2017

CHK: SEAN

SCALE: NONE

SHT 1 OF 2

SCALE: B

2 ↑ 1

THIS COPY IS PROVIDED ON A RESTRICTED BASIS AND IS NOT TO BE USED IN ANY WAY DETRIMENTAL TO THE INTERESTS OF PANDUIT CORP.

MAIN PDU CONFIGURATIONS				
FINISHED GOOD PART NUMBER	FINISHED GOOD DESCRIPTION	COLOR	INPUT CORD LENGTH	WEIGHT
P24E32M	VERTICAL,(12) C13,(12) C19,MONITORED SWITHCHED, 200-240V/60A/3 PHASE DELTA , TOP-END FED, 3 METER INPUT CORD, BLACK	BLACK (RAL 9005)	3M(+254MM/-127MM) 10'[+10"/-5"]	13.9kg
P24E32M-BL1A	VERTICAL,(12) C13,(12) C19,MONITORED SWITHCHED, 200-240V/60A/3 PHASE DELTA , TOP-END FED, 1 METER INPUT CORD, BLACK	BLACK (RAL 9005)	1M(+178MM/-89MM) 3.3'[+3.5"/-1.75"]	11.3kg
P24E32M-RD1A	VERTICAL,(12) C13,(12) C19,MONITORED SWITHCHED, 200-240V/60A/3 PHASE DELTA , TOP-END FED, 1 METER INPUT CORD, RED	RED (RAL 3020)	1M(+178MM/-89MM) 3.3'[+3.5"/-1.75"]	11.3kg
P24E32M-RD1C	VERTICAL,(12) C13,(12) C19,MONITORED SWITHCHED, 200-240V/60A/3 PHASE DELTA , TOP-END FED, 3 METER INPUT CORD, RED	RED (RAL 3020)	3M(+254MM/-127MM) 10'[+10"/-5"]	13.9kg
P24E32M-YL1A	VERTICAL,(12) C13,(12) C19,MONITORED SWITHCHED, 200-240V/60A/3 PHASE DELTA , TOP-END FED, 1 METER INPUT CORD, YELLOW	YELLOW (RAL 1023)	1M(+178MM/-89MM) 3.3'[+3.5"/-1.75"]	11.3kg
P24E32M-YL1C	VERTICAL,(12) C13,(12) C19,MONITORED SWITHCHED, 200-240V/60A/3 PHASE DELTA , TOP-END FED, 3 METER INPUT CORD, YELLOW	YELLOW (RAL 1023)	3M(+254MM/-127MM) 10'[+10"/-5"]	13.9kg
P24E32M-BU1A	VERTICAL,(12) C13,(12) C19,MONITORED SWITHCHED, 200-240V/60A/3 PHASE DELTA , TOP-END FED, 1 METER INPUT CORD, BLUE	BLUE (RAL 5005)	1M(+178MM/-89MM) 3.3'[+3.5"/-1.75"]	11.3kg
P24E32M-BU1C	VERTICAL,(12) C13,(12) C19,MONITORED SWITHCHED, 200-240V/60A/3 PHASE DELTA , TOP-END FED, 3 METER INPUT CORD, BLUE	BLUE (RAL 5005)	3M(+254MM/-127MM) 10'[+10"/-5"]	13.9kg
P24E32M-BL2A	VERTICAL,(12) C13,(12) C19,MONITORED SWITHCHED, 200-240V/60A/3 PHASE DELTA , BOTTOM-END FED, 1 METER INPUT CORD, BLACK	BLACK (RAL 9005)	1M(+178MM/-89MM) 3.3'[+3.5"/-1.75"]	11.3kg
P24E32M-BL2C	VERTICAL,(12) C13,(12) C19,MONITORED SWITHCHED, 200-240V/60A/3 PHASE DELTA , BOTTOM-END FED, 3 METER INPUT CORD, BLACK	BLACK (RAL 9005)	3M(+254MM/-127MM) 10'[+10"/-5"]	13.9kg
P24E32M-RD2A	VERTICAL,(12) C13,(12) C19,MONITORED SWITHCHED, 200-240V/60A/3 PHASE DELTA , BOTTOM-END FED, 1 METER INPUT CORD, RED	RED (RAL 3020)	1M(+178MM/-89MM) 3.3'[+3.5"/-1.75"]	11.3kg
P24E32M-RD2C	VERTICAL,(12) C13,(12) C19,MONITORED SWITHCHED, 200-240V/60A/3 PHASE DELTA , BOTTOM-END FED, 3 METER INPUT CORD, RED	RED (RAL 3020)	3M(+254MM/-127MM) 10'[+10"/-5"]	13.9kg
P24E32M-YL2A	VERTICAL,(12) C13,(12) C19,MONITORED SWITHCHED, 200-240V/60A/3 PHASE DELTA , BOTTOM-END FED, 1 METER INPUT CORD, YELLOW	YELLOW (RAL 1023)	1M(+178MM/-89MM) 3.3'[+3.5"/-1.75"]	11.3kg
P24E32M-YL2C	VERTICAL,(12) C13,(12) C19,MONITORED SWITHCHED, 200-240V/60A/3 PHASE DELTA , BOTTOM-END FED, 3 METER INPUT CORD, YELLOW	YELLOW (RAL 1023)	3M(+254MM/-127MM) 10'[+10"/-5"]	13.9kg
P24E32M-BU2A	VERTICAL,(12) C13,(12) C19,MONITORED SWITHCHED, 200-240V/60A/3 PHASE DELTA , BOTTOM-END FED, 1 METER INPUT CORD, BLUE	BLUE (RAL 5005)	1M(+178MM/-89MM) 3.3'[+3.5"/-1.75"]	11.3kg
P24E32M-BU2C	VERTICAL,(12) C13,(12) C19,MONITORED SWITHCHED, 200-240V/60A/3 PHASE DELTA , BOTTOM-END FED, 3 METER INPUT CORD, BLUE	BLUE (RAL 5005)	3M(+254MM/-127MM) 10'[+10"/-5"]	13.9kg
UPGRADEABLE PDU CONFIGURATIONS				
FINISHED GOOD PART NUMBER	FINISHED GOOD DESCRIPTION	COLOR	INPUT CORD LENGTH	WEIGHT
P24E32U	UPGRADEABLE,VERTICAL,(12) C13,(12) C19,MONITORED SWITHCHED, 200-240V/60A/3 PHASE DELTA , TOP-END FED, 3 METER INPUT CORD, BLACK	BLACK (RAL 9005)	3M(+254MM/-127MM) 10'[+10"/-5"]	13.6kg

REV	DATE	BY	CHK	APR	DESCRIPTION	ECN
04A	05/18/2022	FYZ	MIM	MJD	1.AADED UPGRADEABLE PDU OPTION 2.REMOVED OBSOLETE SKU'S	P24E32M
03B	01/15/2021	huang	MIM	JAWI	ADD JAPAN INPUT CURRENT & UPDATED THE COMPLIANCE LABEL	P24E32M
03A	06/11/2020	CWW	MIM	JAWI	UPDATED THE OUTLET DESIGN	P24E32M
02A	06/07/2018	H.XU	MIM	JAWI	ADDED SHEET 2 WITH CONFIGURABLE PART NUMBER TABLE AND DESCRIPTION UPDATED IDENTIFICATION TO INCLUDE CONFIGURABLE OPTION 'DE-CODER' UPDATED CIRCUIT BREAKER LABELS WITH ROTATED TEXT	P24E32M
01B	12/14/2017	GEORGE	MIM	JAWI	UPDATED DESCRIPTION	P24E32M
01A	10/10/2017	GEORGE	MIM	EDM	INITIAL RELEASE	P24E32M

<p style="font-size: 8px;">WE ASK THAT YOU CHECK FULLY THE DIMENSIONS, NOTES, AND SIGN THE CLIENT SIGNATURE BOX. THE JOB WILL NOT PROGRESS WITHOUT SIGNED APPROVAL PLEASE DO NOT DELAY IN RETURNING PROOF AS IT WILL AFFECT DELIVERY</p>	<p style="font-size: 8px;">SIGN _____</p> <p style="font-size: 8px;">DATE _____</p> <p style="font-size: 8px;">PRINT _____</p>												
<p style="text-align: center;">TITLE INTELLIGENT SERIES PDU P24E32M-XYZ CUSTOMER DRAWING</p>													
<p style="font-size: 8px;">ITEM REVISION NAME:</p>													
<p style="font-size: 8px;">DATASHEET FILE NAME:</p>	<p style="font-size: 8px;">MATERIAL/COLOR: N/A</p>												
<p style="font-size: 8px;">UNLESS OTHERWISE SPECIFIED DIMENSIONAL TOLERANCE ARE: mm [IN]</p> <table style="width: 100%; font-size: 8px;"> <tr> <td style="text-align: center;">Tolerance(mm)</td> <td></td> </tr> <tr> <td style="text-align: center;">0.4<50</td> <td style="text-align: center;">±0.5</td> </tr> <tr> <td style="text-align: center;">50<250</td> <td style="text-align: center;">±1.0</td> </tr> <tr> <td style="text-align: center;">250<500</td> <td style="text-align: center;">±1.5</td> </tr> <tr> <td style="text-align: center;">500<1000</td> <td style="text-align: center;">±2.5</td> </tr> <tr> <td style="text-align: center;">1000<2000</td> <td style="text-align: center;">±4.0</td> </tr> </table>		Tolerance(mm)		0.4<50	±0.5	50<250	±1.0	250<500	±1.5	500<1000	±2.5	1000<2000	±4.0
Tolerance(mm)													
0.4<50	±0.5												
50<250	±1.0												
250<500	±1.5												
500<1000	±2.5												
1000<2000	±4.0												
<p style="font-size: 8px;">DRAWN BY DATE GEORGE 10/10/2017</p>	<p style="font-size: 8px;">CHK SCALE SEAN NONE</p>												
<p style="font-size: 8px;">DRAWING NUMBER: P24E32M_DC</p>													
<p style="font-size: 8px;">SHT 2 OF 2</p>													
<p style="text-align: right;">SCALE B</p>													

2 ↓ 1