

## Technical Data

Original Instructions



**Allen-Bradley**

by ROCKWELL AUTOMATION

# PowerFlex 700 Adjustable Frequency AC Drive

Bulletin Number 20B

Topic	Page
Summary of Changes	2
Product Overview	3
Certifications and Specifications	8
Design Considerations	12
Drive, Fuse, and Circuit Breaker Ratings	24
Cable Recommendations	34
Power Wiring	35
I/O Wiring	40
Mounting	45
Dimensions and Weights	48
Drive Options	58

## Summary of Changes

This publication contains updated information as indicated in the following table.

Topic	Page
Removed CE (European Conformance Standard) references	Throughout

Rockwell Automation recognizes that some of the terms that are currently used in our industry and in this presentation are not in alignment with the movement toward inclusive language in technology. We are proactively collaborating with industry peers to find alternatives to such terms and making changes to our products and content. Please excuse the use of such terms in our content while we implement these changes.

## Product Overview

The PowerFlex® 700 AC drive offers outstanding performance in an easy-to-use drive that you have come to expect from Rockwell Automation. The PowerFlex 700 AC drive is designed to control three-phase induction motors in applications with requirements ranging from the simplest speed control to the most demanding torque control. The drive has volts per hertz, sensorless vector, and vector control. Vector control includes Allen-Bradley's patented Force Technology, which provides world class motor control.



## Flexible Packaging and Mounting

- **IP20, NEMA / UL Type 1** – For conventional mounting inside or outside a control cabinet. Conduit plate is removable for easy installation and replacement without disturbing conduit.
- **IP54, NEMA / UL Type 12** – standalone, wall mount drives are available for dust-tight applications with power ratings 75...200 Hp (Frames 5 and 6).
- **IP54, NEMA / UL Type 12** – Flange mount drives with an IP00, NEMA / UL Type Open front. These can be installed in a user supplied cabinet to meet IP54, NEMA / UL Type 12. This allows most heat to be exhausted out the back of the cabinet while keeping the cabinet protected. Power ratings range 75...200 Hp (Frames 5...6).
- **Zero-Stacking™ Drive**– Frame 0...6 drives can be mounted next to each other with no reduction of surrounding air temperature rating 50 °C (122 °F). This unique bookshelf design also allows access to one drive without disturbing another.
- **Conformal Coating** - The drive is coated in an insulator, or non-conducting substance, that helps protect it from moisture, fungus, dust, corrosion, abrasion, and other environmental stresses caused by highly polluted atmospheres. The coating improves product lifetime expectancy when exposure to corrosive environment is present. It helps maintain long-term surface insulation resistance, ensuring operational integrity of the assembly.

## Space Saving Hardware Features

- **Integral EMC Filtering** plus built-in DC bus choke common mode cores and common mode capacitors provides a compact, all-in-one package solution for meeting EMC requirements. Frames 0...6 only.
- **Internal Communications** allows you to integrate the drive into the manufacturing process. Status indicators for all internal communication options are visible on the cover for easy setup and monitoring of drive communications. You can easily manage information from shop floor to top floor and seamlessly integrate their complete system as they control, configure, and collect data.
- **Integral Dynamic Brake Transistor** delivers a cost-effective means of switching regenerative energy without costly external chopper circuits. These internal transistors are available in power ratings 0.5...200 Hp.
- **Internal Dynamic Brake Resistor** (up to 25 Hp) requires no extra panel space, and supplies a large amount of braking torque for short periods.

## Easy to Use Human Interface Tools

The PowerFlex 7-Class AC drives provide common Human Interface tools that are familiar and easy to use. These include the LCD Human Interface modules and PC-based configuration tools.

### *Human Interface Module*

The LCD Human Interface modules provide:

- Large and easy to read 7 line x 21 character backlit display
- Variety of languages (English, French, German, Italian, Spanish, Portuguese, Dutch)
- Alternate function keys for shortcuts to common tasks
- “Calculator-like” number pad for fast and easy data entry (Full Numeric version only)
- Control keys for local start, stop, speed, and direction
- Remote versions for panel mount application

## Connected Components Workbench Software

Connected Components Workbench™ programming and configuration software leverage proven Rockwell Automation and Microsoft® Visual Studio® technologies for fast and easy drive configuration, controller programming, and integration with the HMI editor.

The workbench includes:

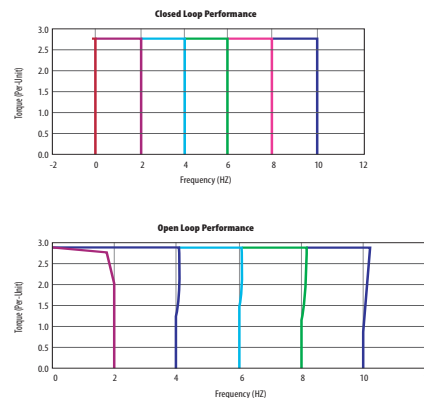
- an intuitive interface and startup wizards
- localized language support
- online and offline configuration
- context-sensitive help
- supports PowerFlex drives, Micro800™ programmable controllers, and PanelView™ component graphic terminals

## Outstanding Control and Performance

**Multiple motor control** algorithms allow performance that is matched to the application need:

- **Volts/Hertz** for simple Fan and Pump applications.
- **Sensorless Vector** for high torque production over a wide speed range.
- **Vector** for outstanding torque regulation and excellent low speed/zero speed performance (w/Vector Control cassette).

The PowerFlex 700 drive's Vector Control uses Allen-Bradley's patented Force Technology which provides excellent low-speed performance - whether it is operated with or without feedback. While this industry-leading control provides the highest level of drive performance, it is as easy to use as any general-purpose drive available.



## Drives Features

- Fast-acting **Current Limit** and **Bus Voltage Regulation** result in maximum accel/decel without tripping.
- **High-speed analog inputs** improve drive response to torque or speed commands.
- **Programming flexibility** allows parameters to be linked within the drive.
- **Flying Start** delivers smooth and instantaneous connection into rotating loads, regardless of commanded direction, without the need for any speed feedback.
- **Integral Process PI Control** can eliminate the need for a separate process loop controller.
- **Inertia Ride-Through** offers tripliss operation during a prolonged power outage by using the rotating energy that is stored in high inertia, low-friction loads.
- **Position Indexer/Speed Profiler** uses a 16-step indexer to provide point-to-point positioning or velocity profiling based on encoder counts, digital inputs, parameter levels, or time.
- **TorqProve™** assures control of the load when transferring control between the drive and a mechanical brake.
- **Speed Regulation** - Open Loop or Closed Loop
  - **Slip Compensation** delivers a minimum 0.5% speed regulation without feedback hardware.
  - **Droop** allows drives to load share without fighting each other.
  - **Encoder Feedback** provides up to 0.001% speed regulation for the tightest application requirements.
- **Torque Regulation** - Open Loop or Closed Loop
  - **Open Loop** torque regulation provides  $\pm 5\%$  regulation.
  - **Encoder Feedback** provides  $\pm 2\%$  regulation and the ability to hold full load at zero speed.

## Unsurpassed Capability in Network Communications

PowerFlex drives are fully compatible with the wide variety of Allen-Bradley DPI™ communication adapters, offering the following benefits:

BACnet	ControlNet™	DeviceNet™	EtherNet/IP™	Modbus RTU	PROFIBUS	RS-485 DFI	USB	Description
	✓	✓	✓					<b>(Unconnected Messaging)</b> permits other network devices (for example, PanelView™) to communicate directly to a drive without routing the communication through the network scanner.
✓	✓	✓	✓			✓	✓	<b>Adapter Routing</b> - Plug PC into one drive and talk to all other Allen-Bradley drives on same network, without being routed through network scanner.
✓	✓	✓	✓	✓	✓	✓	✓	Access to 100% of all parameters over the network.
✓		✓	✓		✓			<b>Autobaud</b> capability makes initial connections less problematic.
		✓						<b>Change of State</b> significantly reduces network traffic by configuring control messages to be sent only upon customer defined states. Flexible configuration for each node (Example: "reference must change by more than 5%").
		✓	✓					<b>Peer Control</b> provides master-slave type control between drives, where one or more slave drives (consumers) can run based on the status of a master drive (producer), which can also significantly reduce network traffic.
		✓						<b>ADR (Automatic Device Replacement)</b> saves significant time and effort when replacing a drive, by allowing the scanner to be configured to automatically detect a new drive and download the required parameter settings.
✓	✓	✓	✓	✓	✓	✓	✓	<b>Flexible Fault Configuration</b> - Adapters can be programmed to take fault-based actions as ramp to stop, coast-to-stop and hold last state, and send user configurable logic control and speed reference values. In addition, different actions can be taken based on whether the network experienced a serious problem (broken cable, and so on) versus network idle condition (PLC set to "Program").

### Catalog Number Explanation

20B    **D**    **2P1**    **A**    **3**    **A**    **Y**    **N**    **A**    **E**    **C**    **O**    **NN**    **AD**

*a*        *b*        *c1...c5*    *d*        *e*        *f*        *g*        *h*        *i*        *j*        *k*        *l*        *m*        *n*

*a*

Drive	
Code	Type
20B	PowerFlex 700

*b*

Voltage Rating				
Code	Voltage	Ph.	Prechg.	Frames
B	240V AC	3	-	0...6
C	400V AC	3	-	0...6
D	480V AC	3	-	0...6
E	600V AC	3	-	0...6
F	690V AC	3	-	5...6
H	540V DC	-	N	5...6
J	650V DC	-	N	5...6
N	325V DC	-	Y	5...6
P	540V DC	-	Y	5...9 <sup>(1)</sup>
R	650V DC	-	Y	5...9 <sup>(1)</sup>
T	810V DC	-	Y	5...6
W	932V DC	-	Y	5...6

(1) Frame size 7, 8, 9, and 10 are no longer available for sale.

*c1*

ND Rating				
208/240V, 60 Hz Input				
Code	208V Amps	240V Amps	Hp	Frame
2P2	2.5	2.2	0.5	0
4P2	4.8	4.2	1.0	0
6P8	7.8	6.8	2.0	1
9P6	11	9.6	3.0	1
015	17.5	15.3	5.0	1
022	25.3	22	7.5	1
028	32.2	28	10	2
042	48.3	42	15	3
052	56	52	20	3
070	78.2	70	25	4
080	92	80	30	4
104	120	104	40	5
130	130	130	50	5
154	177	154	60	6
192	221	192	75	6
260	260	260	100	6

*c2*

ND Rating			
400V, 50 Hz Input			
Code	Amps	kW	Frame
1P3	1.3	0.37	0
2P1	2.1	0.75	0
3P5	3.5	1.5	0
5P0	5.0	2.2	0
8P7	8.7	4.0	0
011	11.5	5.5	0
015	15.4	7.5	1
022	22	11	1
030	30	15	2
037	37	18.5	2
043	43	22	3
056	56	30	3
072	72	37	3
085	85	45	4
105	105	55	5
125	125	55	5
140	140	75	5
170	170	90	6
205	205	110	6
260	260	132	6
292	292	160	7 <sup>(1)</sup>
325	325	180	7 <sup>(1)</sup>
365	365	200	8 <sup>(1)</sup>
415	415	240	8 <sup>(1)</sup>
481	481	280	8 <sup>(1)</sup>
535	535	300	8 <sup>(1)</sup>
600	600	350	8 <sup>(1)</sup>
730	730	400	9 <sup>(1)</sup>
875	875	500	10 <sup>(1)</sup>

(1) This model is no longer available for sale.

*c3*

ND Rating			
480V, 60 Hz Input			
Code	Amps	Hp	Frame
1P1	1.1	0.5	0
2P1	2.1	1.0	0
3P4	3.4	2.0	0
5P0	5.0	3.0	0
8P0	8.0	5.0	0
011	11	7.5	0
014	14	10	1
022	22	15	1
027	27	20	2
034	34	25	2
040	40	30	3
052	52	40	3
065	65	50	3
077	77	60	4
096	96	75	5
125	125	100	5
156	156	125	6
180	180	150	6
248	248	200	6
292	292	250	7 <sup>(1)</sup>
325	325	250	7 <sup>(1)</sup>
365	365	300	8 <sup>(1)</sup>
415	415	350	8 <sup>(1)</sup>
481	481	400	8 <sup>(1)</sup>
535	535	450	8 <sup>(1)</sup>
600	600	500	8 <sup>(1)</sup>
730	730	600	9 <sup>(1)</sup>
875	875	700	10 <sup>(1)</sup>

(1) This model is no longer available for sale.

*c4*

ND Rating			
600V, 60 Hz Input			
Code	Amps	Hp	Frame
1P7	1.7	1.0	0
2P7	2.7	2.0	0
3P9	3.9	3.0	0
6P1	6.1	5.0	0
9P0	9.0	7.5	0
011	11	10	1
017	17	15	1
022	22	20	2
027	27	25	2
032	32	30	3
041	41	40	3
052	52	50	3
062	62	60	4
077	77	75	5
099	99	100	5
125	125	125	6
144	144	150	6

20B

**D** **2P1** **A** **3** **A** **Y** **N** **A** **E** **C** **O** **NN** **AD**

*a* *b* *c1...c5* *d* *e* *f* *g* *h* *i* *j* *k* *l* *m* *n*

*c5*

ND Rating			
690V, 50 Hz Input			
Code	Amps	kW	Frame
052	52	45	5
060	60	55	5
082	82	75	5
098	98	90	6
119	119	110	6
142	142	132	6

*d*

Enclosure	
Code	Enclosure
A	IP20,NEMA/UL Type 1, with Conformal Coat
F ♣	Open/Flange Mount Front: IP00, NEMA/UL Type Open, with Conformal Coat Back/Heatsink: IP54, NEMA Type 12, with Conformal Coat
G ♣	Stand-Alone/Wall Mount IP54, NEMA/UL Type 12, with Conformal Coat

♣ Only available for Frame 5 & Frame 6 drives, 400...690V.

*e*

HIM	
Code	Operator Interface
0	Blank Cover
3	LCD Display, Full Numeric Keypad
J ♦	Remote (Panel Mount), IP66, NEMA/UL Type 12 Full Numeric LCD HIM
K ♦	Remote (Panel Mount), IP66, NEMA/UL Type 12 Prog. Only LCD HIM

♦ Available with Frames 5...6 Stand-Alone IP54 drives (Enclosure Code "G").

*f*

Documentation	
Code	Type
A	Manual
N	No Manual
Q	No Shipping Package (Internal Use Only)

*g*

Brake	
Code	w/Brake IGBT ‡
Y	Yes
N	No

‡ Brake IGBT is standard on Frames 0-3, optional on Frames 4-6.

*h*

Internal Braking Resistor	
Code	w/Resistor
Y	Yes *
N	No

\* Not available for Frame 3 drives or larger.

*i*

Emission		
Code	CE Filter	CM Choke
A	Yes	Yes
B §	Yes	No
N	No	No

§ Only available for 208...240V Frame 0-3 drives.

*j*

Comm Slot	
Code	Network Type
C	ControlNet (Coax)
D	DeviceNet
E	EtherNet/IP
N	None

*k*

Control & I/O		
Code	Control	I/O Volts
A	Standard	24V DC/AC
B	Standard	115V AC
C	Vector Δ	24V DC
D	Vector Δ	115V AC
N	Standard	None

Δ Vector Control Option utilizes DPI Only.

*l*

Feedback	
Code	Type
0	None
1	Encoder, 12V/5V

*m*

Future Use	
------------	--

*n*

Special Firmware (Frames 0...6 Only)	
Code	Type
AD ♦	60 Hz Maximum
AE ♦	Cascading Fan/Pump Control
BA ♦	Pump Off (for pump jack)

♦ Must be used with Vector Control option C or D (Position k). Positions m-n are only required when custom firmware is supplied.

# Certifications and Specifications

## Certifications

Certification <sup>(1)</sup>	Description	Frames		
		0...4		5...6
		230...480V	600V	
<b>ABS</b>	American Bureau of Shipping MA Certificate 08-HS303172B-3-PDA for auxiliary services on AB Classed vessels and offshore platforms	4		4
<b>RCM</b>	Certified by Rockwell Automation to be in conformity with the requirements of the applicable Australian legislation and the standards referenced: IEC 61800-3.	4		4
<b>c-UL-us</b>	Listed to UL508C and C22.2 No. 14.	4	4	4
<b>SEMI F47</b>	SEMI F47 compliance, 480V units were tested	4		4
<b>Korean KC Registration</b>	R-R-RAA-Drive See the certificate of registration for specific drive catalog numbers that have this certification.	4	4	4
<b>Lloyd's Register</b>	Lloyd's Register Type Approval Certificate 08-HS303172B-3-PDA (marine certification)	4		4
<b>Trentec</b>	Tested by Trentec to be compliant with AC156 Acceptance Criteria for Seismic Qualification Testing of Nonstructural Components and 2003 International Building Code for worst-case seismic level for USA excluding site class F	4	4	4
<b>Designed to Meet Applicable Requirements</b>	CMAA Specification #70 (Crane Manufacturers of America Assoc.)	4	4	4
	NFPA 70 – US National Electrical Code	4	4	4
	NEMA ICS 7.1 – Safety Standards for Construction and Guide for Selection, Installation, and Operation of Adjustable Speed Drive Systems	4	4	4
	IEC 61800-2 – Adjustable Speed Electrical Power Drive Systems - Part 2: General Requirements - Rating specifications for low voltage adjustable frequency AC power drive systems.	4	4	4

(1) See the product certifications website, [rok.auto/certifications](http://rok.auto/certifications) for declarations of conformity, certificates, and other certification details.

## Environmental

Category	Specification																									
<b>Environment</b>	Altitude:	1000 m (3300 ft) Max without derating																								
	Maximum Surrounding Air Temperature without Derating - IP20, NEMA / UL Type Open: Frames 0...6	0...50 °C (32...122 °F), typical. See Installation Instructions for details. 0...40 °C (32...104 °F) for chassis (heatsink) 0...65 °C (32...149 °F) for control (front of backplane)																								
	Storage Temperature (all const.):	-40...+70 °C (-40...+158 °F)																								
	Atmosphere:	<b>Important:</b> Drive <b>must not</b> be installed in an area where the ambient atmosphere contains volatile or corrosive gas, vapors, or dust. If the drive is not going to be installed for a time, it must be stored in an area where it will not be exposed to a corrosive atmosphere.																								
	Relative Humidity:	5...95% noncondensing																								
	Shock:	15G peak for 11 ms duration (±1.0 ms)																								
	Vibration:	0.152 mm (0.006 in) displacement, 1G peak																								
	Surrounding Environment Pollution Degree Pollution Degree 1 and 2: Pollution Degree 3 and 4: (See <a href="#">page 11</a> for descriptions of each pollution degree rating.)	All enclosures acceptable. Enclosure that meets or exceeds IP54, NEMA / UL Type 12 required.																								
	Sound:	<table border="1"> <thead> <tr> <th>Frame</th> <th>Fan Velocity</th> <th>Sound Level</th> </tr> </thead> <tbody> <tr> <td>0</td> <td>30 CFM</td> <td>58 dB</td> </tr> <tr> <td>1</td> <td>30 CFM</td> <td>59 dB</td> </tr> <tr> <td>2</td> <td>50 CFM</td> <td>57 dB</td> </tr> <tr> <td>3</td> <td>120 CFM</td> <td>61 dB</td> </tr> <tr> <td>4</td> <td>190 CFM</td> <td>59 dB</td> </tr> <tr> <td>5</td> <td>200 CFM</td> <td>71 dB</td> </tr> <tr> <td>6</td> <td>300 CFM</td> <td>72 dB</td> </tr> </tbody> </table>	Frame	Fan Velocity	Sound Level	0	30 CFM	58 dB	1	30 CFM	59 dB	2	50 CFM	57 dB	3	120 CFM	61 dB	4	190 CFM	59 dB	5	200 CFM	71 dB	6	300 CFM	72 dB
	Frame	Fan Velocity	Sound Level																							
0	30 CFM	58 dB																								
1	30 CFM	59 dB																								
2	50 CFM	57 dB																								
3	120 CFM	61 dB																								
4	190 CFM	59 dB																								
5	200 CFM	71 dB																								
6	300 CFM	72 dB																								
	Note: Sound pressure level is measured at 2 meters.																									



## Technical Specifications

Category	Specification							
	<b>Drive</b>	200...208V	240V	380/400V	480V	600V Frames 0...4	600/690V Frames 5...6	
	AC Input Overvoltage Trip:	285V AC	285V AC	570V AC	570V AC	716V AC	818V AC	
	AC Input Undervoltage Trip:	120V AC	138V AC	233V AC	280V AC	345V AC	345V AC	
	Bus Overvoltage Trip:	405V DC	405V DC	810V DC	810V DC	1013V DC	1162V DC	
	Bus Undervoltage Shutoff/Fault:	153V DC	153V DC	305V DC	305V DC	381V DC	437V DC	
	Nominal Bus Voltage:	281V DC	324V DC	540V DC	648V DC	810V DC	932V DC	
	<b>All Drives</b>							
	<b>Protection</b>	Heat Sink Thermistor:	Monitored by microprocessor overtemp trip					
		Drive Overcurrent Trip Software Overcurrent Trip: Hardware Overcurrent Trip:	200% of rated current (typical) 220...300% of rated current (dependent on drive rating)					
		Line transients:	up to 6000 volts peak per IEEE C62.41-1991					
	Control Logic Noise Immunity:	Showering arc transients up to 1500V peak						
	Power Ride-Thru:	15 milliseconds at full load						
	Logic Control Ride-Thru:	0.5 seconds minimum, 2 seconds typical						
	Ground Fault Trip:	Phase-to-ground on drive output						
	Short Circuit Trip:	Phase-to-phase on drive output						
<b>Electrical</b>	Voltage Tolerance:	See <a href="#">page 12</a> for full power and operating range						
	Input Frequency Tolerance:	47...63 Hz						
	Input Phases:	Three-phase input provides full rating for all drives. Single-phase operation possible on certain drives and provides 50% of rated current (see Installation Instructions for details). Frames 0...6: Drive can be supplied as 6 pulse or 18 pulse in an engineered package.						
	Displacement Power Factor:	0.98 across entire speed range						
	Efficiency:	97.5% at rated amps, nominal line volts						
	Maximum Short Circuit Rating:	200,000 Amps symmetrical						
	Actual Short Circuit Rating:	Determined by AIC rating of installed fuse/circuit breaker						
		Drive to Motor Power Ratio Minimum Maximum	Recommended not less than 1:2 ratio Recommended not greater than 2:1 ratio					
<b>Control</b>	Method:	Sine coded PWM with programmable carrier frequency. Ratings apply to all drives (see the <i>Derating Guidelines</i> in the PowerFlex Reference Manual). The drive can be supplied as 6 pulse or 18 pulse in an engineered solution.						
	Carrier Frequency:	2, 4, 8, and 10 kHz. Drive rating based on 4 kHz. See the Input Protection Device tables in the installation instructions for exceptions.						
	Output Voltage Range:	0 to rated motor voltage						
	Output Frequency Range:	Standard Control - 0...400 Hz., Vector Control - 0...420 Hz						
		Frequency Accuracy Digital Input: Analog Input:	Within ±0.01% of set output frequency Within ±0.4% of maximum output frequency					

Category	Specification						
Control (continued)	Frequency Control:		Speed Regulation - w/Slip Compensation (Volts per Hertz Mode) 0.5% of base speed across 40:1 speed range, 40:1 operating range 10 rad/sec bandwidth				
			Speed Regulation - w/Slip Compensation (Sensorless Vector Mode) 0.5% of base speed across 80:1 speed range, 80:1 operating range 20 rad/sec bandwidth				
			Speed Regulation - w/Feedback (Sensorless Vector Mode) 0.1% of base speed across 80:1 speed range, 80:1 operating range 20 rad/sec bandwidth				
	Speed Control:		Speed Regulation - w/o Feedback (Vector Control Mode) 0.1% of base speed across 120:1 speed range, 120:1 operating range 50 rad/sec bandwidth				
			Speed Regulation - w/Feedback (Vector Control Mode) 0.001% of base speed across 120:1 speed range, 1000:1 operating range, 250 rad/sec bandwidth				
	Torque Regulation:		Torque Regulation - w/o Feedback ±5%, 600 rad/sec bandwidth				
			Torque Regulation - w/Feedback ±2%, 2500 rad/sec bandwidth				
	Selectable Motor Control:		Sensorless Vector with full tuning. Standard V/Hz with full custom capability. Vector Control.				
	Stop Modes:		Multiple programmable stop modes including - Ramp, Coast, DC-Brake, Ramp-to-Hold and S-curve.				
	Accel/Decel:		Two independently programmable accel and decel times. Each time may be programmed from 0...3600 seconds in 0.1 second increments.				
	Intermittent Overload:		110% Overload capability for up to 1 minute, 150% Overload capability for up to 3 seconds.				
	Current Limit Capability:		Proactive Current Limit programmable from 20...160% of rated output current. Independently programmable proportional and integral gain.				
Motor Overload Protection		PowerFlex 700 drives with standard control, which is identified by an N, A, or B in position 15 of the catalog number, only provide Class 10 motor overload protection according to NEC article 430. They do not provide speed sensitive overload protection, thermal memory retention and motor over-temperature sensing according to NEC article 430.126 (A)(2). If such protection is needed in the end-use product, it must be provided by additional means. PowerFlex 700 drives with vector control, which is identified by a C or D in position 15 of the catalog number, provide class 10 motor overload protection according to NEC article 430 and motor over-temperature protection according to NEC article 430.126 (A)(2). UL 508C File E59272.					
Frames 0...6 Standard Control:							
Frames 0...6 Vector Control:							
Digital/Analog Input Latency		Signal		Motor Control		Latency	
		Digital Input	Start	FVC	8.4 ms	10.4 ms	8.4 ms
				SVC	9.2 ms	16.0 ms	9.2 ms
			Stop	FVC	10.0 ms	12.4 ms	10.4 ms
				SVC	10.0 ms	12.0 ms	10.4 ms
		Analog Input	Torque 4 kHz PWM	FVC	772 μs	1.06 ms	840 μs
			Torque 2 kHz PWM	FVC	1.008 ms	1.46 ms	1.256 ms
			Speed	FVC	4.6 ms	8.6 ms	4.8 ms
Speed	SVC		4.8 ms	12.4 ms	6.4 ms		
Type:		Incremental, dual channel					
Supply:		12V, 250 mA. 12V, 10 mA minimum inputs isolated with differential transmitter, 250 kHz maximum.					
Quadrature:		90 degrees, ±27 degrees at 25 °C (77 °F).					
Duty Cycle:		50%, +10%					
Requirements:		Encoders must be line driver type, quadrature (dual channel) or pulse (single channel), 8...15V DC output (4...6V DC when jumpers are in 5V position), single-ended or differential and capable of supplying a minimum of 10 mA per channel. Maximum input frequency is 250 kHz. The Encoder Interface Board accepts 12V DC square-wave with a minimum high state voltage of 7.0V DC. With the jumpers in the 5V position, the encoder will accept a 5V DC square-wave with a minimum high state voltage of 3.0V DC. In either jumper position, the maximum low state voltage is 0.4V DC.					

*Pollution Degree Ratings according to EN 61800-5-1*

<b>Pollution Degree</b>	<b>Description</b>
1	No pollution or only dry, non-conductive pollution occurs. The pollution has no influence.
2	Normally, only non-conductive pollution occurs. Occasionally, however, a temporary conductivity that is caused by condensation is to be expected, when the drive is out of operation.
3	Conductive pollution or dry non-conductive pollution occurs, which becomes conductive due to condensation, which is to be expected.
4	The pollution generates persistent conductivity caused, for example, by conductive dust, rain or snow.

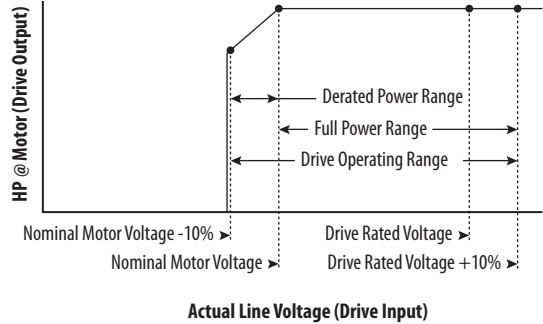
# Design Considerations

## Input Voltage Tolerance

Drive Rating	Nominal Line Voltage	Nominal Motor Voltage	Drive Full Power Range	Drive Operating Range
200...240	200	200*	200...264	180...264
	208	208	208...264	
	240	230	230...264	
380...480	380	380*	380...528	342...528
	400	400	400...528	
	480	460	460...528	
500...600 (Frames 0...4 Only)	600	575*	575...660	432...660
500...690 (Frames 5 and 6 Only)	600	575*	575...660	475...759
	690	690	690...759	475...759

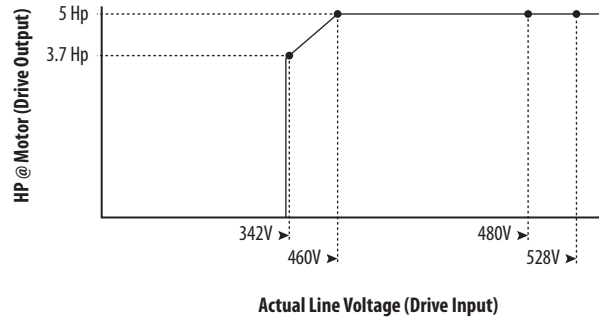
Drive Full Power Range = Nominal Motor Voltage to Drive Rated Voltage +10%.  
 Rated current is available across the entire Drive Full Power Range

Drive Operating Range = Lowest\* Nominal Motor Voltage -10% to Drive Rated Voltage +10%.  
 Drive Output is linearly derated when Actual Line Voltage is less than the Nominal Motor Voltage



**EXAMPLE** Calculate the maximum power of a 5 Hp, 460V motor connected to a 480V rated drive supplied with 342V Actual Line Voltage input.

- Actual Line Voltage / Nominal Motor Voltage = 74.3%
  - $74.3\% \times 5 \text{ Hp} = 3.7 \text{ Hp}$
  - $74.3\% \times 60 \text{ Hz} = 44.6 \text{ Hz}$
- At 342V Actual Line Voltage, the maximum power the 5 Hp, 460V motor can produce is 3.7 Hp at 44.6 Hz.



## Approximate Watts Loss

The following tables list the watts loss data for drives running at full load, full speed, and default carrier frequency.

Internal watts are those dissipated by the control structure of the drive and will be dissipated into the cabinet regardless of mounting style. External watts are those dissipated directly through the heatsink and will be outside the cabinet for flange mount and inside the cabinet for other mounting types.

### Watts Loss - Frames 0...6

Voltage	ND Hp/kW	External Watts	Internal Watts	Total Watts Loss <sup>(1)</sup>
<b>IP20, NEMA / UL Type 1</b>				
240V	0.5	9	37	46
	1	22	39	61
	2	38	39	77
	3	57	41	98
	5	97	82	179
	7.5	134	74	208
	10	192	77	269
	15	276	92	368
	20	354	82	436
	25	602	96	698
	30	780	96	876
	40	860	107	967
	50	1132	138	1270
	60	1296	200	1496
	75	1716	277	1993
100	1837	418	2255	
400V	0.37	11	42	53
	0.75	19	44	63
	1.5	31	45	76
	2.2	46	46	93
	4	78	87	164
	5.5	115	79	194
	7.5	134	84	218
	11	226	99	326
	15	303	91	394
	18.5	339	102	441
	22	357	103	459
	30	492	117	610
	37	568	148	717
	45	722	207	930
	55	821	286	1107
	55	1130	397	1527
	90	1402	443	1845
110	1711	493	2204	
132	1930	583	2513	

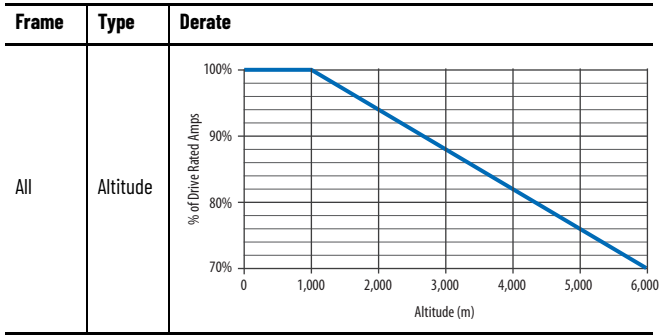
Voltage	ND Hp/kW	External Watts	Internal Watts	Total Watts Loss <sup>(1)</sup>
480V	0.5	11	42	53
	1	19	44	63
	2	31	45	76
	3	46	46	93
	5	78	87	164
	7.5	115	79	194
	10	134	84	218
	15	226	99	326
	20	303	91	394
	25	339	102	441
	30	357	103	459
	40	492	117	610
	50	568	148	717
	60	722	207	930
	75	821	286	1107
	100	1130	397	1527
	125	1402	443	1845
150	1711	493	2204	
200	1930	583	2513	
600V	0.5	9	37	46
	1	14	40	54
	2	25	40	65
	3	41	42	83
	5	59	83	142
	7.5	83	75	157
	10	109	77	186
	15	177	93	270
	20	260	83	343
	25	291	95	385
	30	324	95	419
	40	459	109	569
	50	569	141	710
	60	630	195	825
	75	1053	308	1361
	100	1467	407	1874
	125	1400	500	1900
150	1668	612	2280	
690V	45	894	141	1034
	55	1056	195	1251
	75	1105	308	1412
	90	1389	407	1796
	110	1283	500	1783
	132	1592	612	2204
<b>IP54, NEMA / UL Type 12</b>				
480V	75	873	234	1107
	100	1237	290	1527
	125	1563	282	1845
	150	1874	330	2204
	200	2100	413	2513

<b>Voltage</b>	<b>ND Hp/kW</b>	<b>External Watts</b>	<b>Internal Watts</b>	<b>Total Watts Loss<sup>(1)</sup></b>
600V	75	1091	270	1361
	100	1537	337	1874
	125	1584	316	1900
	150	1895	385	2280

(1) Worst case condition including Vector Control board, HIM, and Communication Module.

# Derating Guidelines

## Altitude and Efficiency



Frame	Type	Derate
All	Efficiency (typical)	



Ambient Temperature/Load - 240V AC

240 Volt Power Rating			Derating --- 2 kHz    - - - 4 kHz    - - - 6 kHz	240 Volt Power Rating			Derating --- 2 kHz    - - - 4 kHz    - - - 6 kHz
ND Hp	HD Hp	Cont. Amps		ND Hp	HD Hp	Cont. Amps	
0.5...5.0	0.33...3.0	2.2...15.3	None	7.5	5.0	22	
10...15	7.5...10	28...42	None	20	15	52	
25	20	70		30	25	80	
40	30	104 (80)		50	40	130 (104)	
60	50	154 (130)		75	60	192 (154)	
100	75	260 (205)					

Ambient Temperature/Load - 400V AC

400 Volt Power Rating			Derating	400 Volt Power Rating			Derating
ND kW	HD kW	Cont. Amps	--- 2 kHz    - - - 4 kHz    - - -	ND kW	HD kW	Cont. Amps	--- 2 kHz    - - - 4 kHz    - - -
0.37...7.5	0.25...5.5	1.3...15.4	None	11	7.5	22	
15	11	30		18.5	15	37	
22	18.5	43	None	30	22	56	
37	30	72		45	37	85 (72)	
55	45	105 (85)		75	55	140 (105)	
90	75	170 (140)		110	90	205 (170)	
132	110	260 (205)					

Ambient Temperature/Load - 480V AC

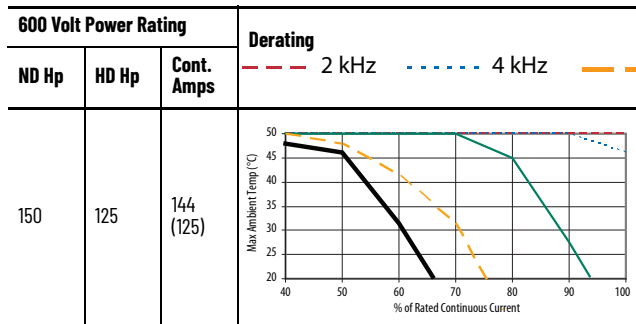
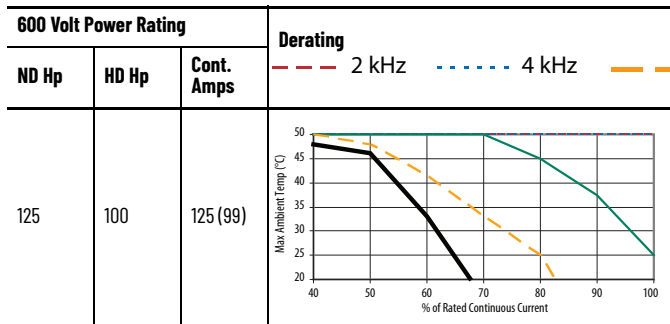
480 Volt Power Rating			Derating --- 2 kHz    - - - 4 kHz    - - - 4 kHz
ND Hp	HD Hp	Cont. Amps	
0.5...10	0.33...7.5	1.1...14	None
20	15	27	
30	25	40	None
50	40	65	
75	60	96 (77)	
125	100	156 (125)	
200	150	248 (180)	

480 Volt Power Rating			Derating --- 2 kHz    - - - 4 kHz    - - - 4 kHz
ND Hp	HD Hp	Cont. Amps	
15	10	22	
25	20	34	
40	30	52	
60	50	77 (65)	
100	75	125 (96)	
150	125	180 (156)	

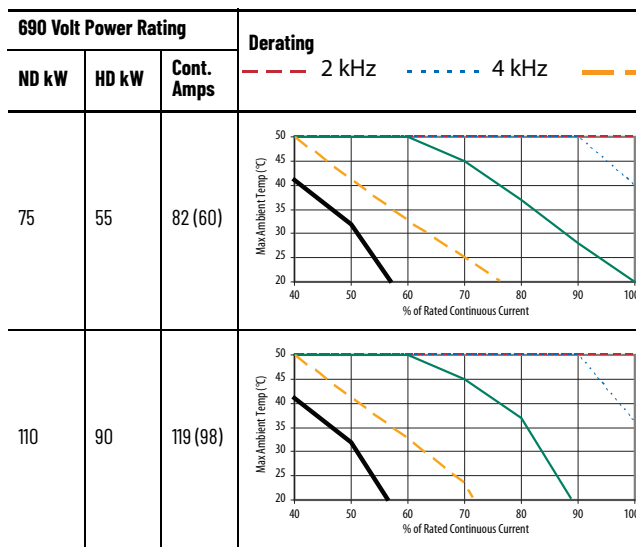
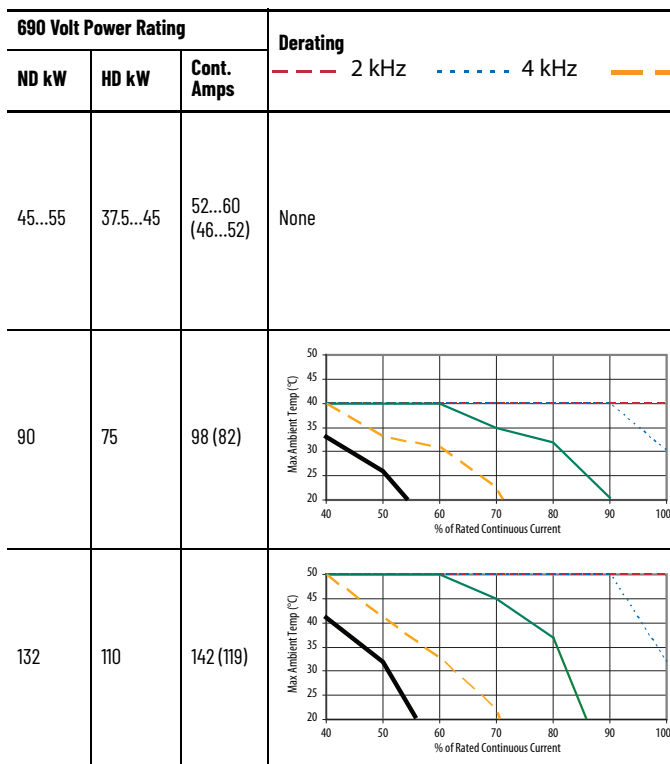
Ambient Temperature/Load - 600V AC

600 Volt Power Rating			Derating --- 2 kHz    - - - 4 kHz    - - - 4 kHz
ND Hp	HD Hp	Cont. Amps	
1.0...2.0	0.5...1.0	1.7...2.7	None
5.0	3.0	6.1	
10	7.5	11	
20	15	22	
30	25	32	
50	40	52	
75	60	77 (63)	

600 Volt Power Rating			Derating --- 2 kHz    - - - 4 kHz    - - - 4 kHz
ND Hp	HD Hp	Cont. Amps	
3.0	2.0	3.9	
7.5	5.0	9	
15	10	17	
25	20	27	
40	30	41	
60	50	62	
100	75	99 (77)	



Ambient Temperature/Load - 690V AC



## Single-phase Input Power

The PowerFlex 700 drive is typically used with a three-phase input supply. Single-phase operation is possible with output current that is derated by 50% (at maximum ambient temperature of 25 °C (77 °F) of the three-phase ratings.

### 208/240 Volt Single-phase AC Input Ratings

240V Single-phase AC Input						208V Single-phase AC Input						Temp. °C / °F
Cat. No.	Frame	Hp Rating	Input Amps	Three-phase Output		Cat. No.	Frame	Hp Rating	Input Amps	Three-phase Output		
				V AC	Amps					V AC	Amps	
20BB2P2	0	0.25	1.5	0...230	1.1	20BB2P2	0	0.25	1.7	0...200	1.3	25 / 77
20BB4P2	0	0.5	2.8	0...230	2.1	20BB4P2	0	0.5	3.2	0...200	2.4	25 / 77
20BB6P8	1	1	5.1	0...230	3.4	20BB6P8	1	1	5.9	0...200	3.9	25 / 77
20BB9P6	1	1.5	7.2	0...230	4.8	20BB9P6	1	1.5	8.3	0...200	5.5	25 / 77
20BB015	1	2.5	11.9	0...230	7.7	20BB015	1	2.5	13.6	0...200	8.8	25 / 77
20BB022	1	3.75	17.3	0...230	11	20BB022	1	3.75	19.9	0...200	12.7	25 / 77
20BB028	2	5	22.2	0...230	14	20BB028	2	5	25.7	0...200	16.1	25 / 77
20BB042	3	7.5	33.4	0...230	21	20BB042	3	7.5	38.5	0...200	24.2	25 / 77
20BB052	3	10	41.3	0...230	26	20BB052	3	10	44.6	0...200	28	25 / 77
20BB070	4	12.5	55.6	0...230	35	20BB070	4	12.5	62.3	0...200	39.1	25 / 77
20BB080	4	15	63.6	0...230	40	20BB080	4	15	73.3	0...200	46	25 / 77
20BB104	5	20	84.6	0...230	52	20BB104	5	20	97.9	0...200	60	25 / 77
20BB130	5	25	105.7	0...230	65	20BB130	5	25	106.1	0...200	65	25 / 77
20BB154	6	30	125.2	0...230	77	20BB154	6	30	144.4	0...200	88.5	25 / 77
20BB192	6	37.5	156.1	0...230	96	20BB192	6	37.5	180.3	0...200	110.5	25 / 77
20BB260	6	50	211.4	0...230	130	20BB260	6	50	212.1	0...200	130	25 / 77

### 380...480 Volt Single-phase AC Input Ratings

480V Single-phase AC Input						380...400V Single-phase AC Input						Temp. °C / °F
Cat. No.	Frame	Hp Rating	Input Amps	Three-phase Output		Cat. No.	Frame	kW Rating	Input Amps	Three-phase Output		
				V AC	Amps					V AC	Amps	
20BD1P1	0	0.25	0.7	0...460	0.6	20BC1P3	0	0.2	1	0...400	0.7	25 / 77
20BD2P1	0	0.5	1.4	0...460	1.1	20BC2P1	0	0.4	1.6	0...400	1.1	25 / 77
20BD3P4	0	1	2.3	0...460	1.7	20BC3P5	0	0.75	2.7	0...400	1.8	25 / 77
20BD5P0	0	1.5	3.4	0...460	2.5	20BC5P0	0	1.1	3.9	0...400	2.5	25 / 77
20BD8P0	0	2.5	6	0...460	4	20BC8P7	0	2	6.9	0...400	4.4	25 / 77
20BD011	0	3.75	8.2	0...460	5.5	20BC011	0	2.75	9.3	0...400	5.8	25 / 77
20BD014	1	5	10.9	0...460	7	20BC015	1	3.75	12.5	0...400	7.7	25 / 77
20BD022	1	7.5	17.3	0...460	11	20BC022	1	5.5	17.8	0...400	11	25 / 77
20BD027	2	10	21.4	0...460	13.5	20BC030	2	7.5	24.6	0...400	15	25 / 77
20BD034	2	12.5	27	0...460	17	20BC037	2	9.25	30.3	0...400	18.5	25 / 77
20BD040	3	15	31.8	0...460	20	20BC043	3	11	35.2	0...400	21.5	25 / 77
20BD052	3	20	41.3	0...460	26	20BC056	3	15	45.9	0...400	28	25 / 77
20BD065	3	25	51.6	0...460	32.5	20BC072	3	18.5	59.7	0...400	36	25 / 77
20BD077	4	30	62.6	0...460	38.5	20BC085	4	22.5	70.5	0...400	42.5	25 / 77
20BD096	5	37.5	78.1	0...460	48	20BC105	5	27.5	87	0...400	52.5	25 / 77

## 380...480 Volt Single-phase AC Input Ratings (Continued)

480V Single-phase AC Input						380...400V Single-phase AC Input						Temp. °C / °F
Cat. No.	Frame	Hp Rating	Input Amps	Three-phase Output		Cat. No.	Frame	kW Rating	Input Amps	Three-phase Output		
				V AC	Amps					V AC	Amps	
20BD125	5	50	101.6	0...460	62.5	20BC125	5	27.5	103.6	0...400	62.5	25 / 77
—	—	—	—	—	—	20BC140	5	37.5	117.4	0...400	70	25 / 77
20BD156	6	62.5	126.8	0...460	78	20BC170	6	45	142.6	0...400	85	25 / 77
20BD180	6	75	146.4	0...460	90	20BC205	6	55	171.9	0...400	102.5	25 / 77
20BD248	6	100	201.6	0...460	124	20BC260	6	66	220.6	0...400	130	25 / 77

## 600...690 Volt Single-phase AC Input Rating

600V Single-phase AC Input						690V Single-phase AC Input						Temp. °C / °F
Cat. No.	Frame	Hp Rating	Input Amps	Three-phase Output		Cat. No.	Frame	kW Rating	Input Amps	Three-phase Output		
				V AC	Amps					V AC	Amps	
20BE1P7	0	0.5	1.1	0...575	0.9	—	—	—	—	—	—	25 / 77
20BE2P7	0	1	1.8	0...575	1.4	—	—	—	—	—	—	25 / 77
20BE3P9	0	1.5	2.6	0...575	2	—	—	—	—	—	—	25 / 77
20BE6P1	0	2.5	4.6	0...575	3.1	—	—	—	—	—	—	25 / 77
20BE9P0	0	3.75	6.7	0...575	4.5	—	—	—	—	—	—	25 / 77
20BE011	1	5	8.5	0...575	5.5	—	—	—	—	—	—	25 / 77
20BE017	1	7.5	13.3	0...575	8.5	—	—	—	—	—	—	25 / 77
20BE022	2	10	17.5	0...575	11	—	—	—	—	—	—	25 / 77
20BE027	2	12.5	21.4	0...575	13.5	—	—	—	—	—	—	25 / 77
20BE032	3	15	25.4	0...575	16	—	—	—	—	—	—	25 / 77
20BE041	3	20	32.6	0...575	20.5	—	—	—	—	—	—	25 / 77
20BE052	3	25	41.3	0...575	26	20BF052	5	22.5	43.1	0...690	26	25 / 77
20BE062	4	30	50.4	0...575	31	20BF060	5	27.5	49.9	0...690	30	25 / 77
20BE077	5	37.5	62.6	0...575	38.5	20BF082	5	37.5	68.4	0...690	41	25 / 77
20BE099	5	50	80.5	0...575	49.5	20BF098	5	45	82	0...690	49	25 / 77
20BE125	6	62.5	101.6	0...575	62.5	20BF119	6	55	100	0...690	59.5	25 / 77
20BE144	6	75	117.1	0...575	72	20BF142	6	66	120.2	0...690	71	25 / 77

## Drive, Fuse, and Circuit Breaker Ratings

The PowerFlex 700 can be installed with input fuses or an input circuit breaker. National and local industrial safety regulations and/or electrical codes can determine additional requirements for these installations.

The tables on the following pages provide recommended AC line input fuse and circuit breaker information. See Fusing and Circuit Breakers below for UL and IEC requirements. Sizes that are listed are the recommended sizes based on 40 °C (104 °F) and the U.S. NEC. Other country, state, or local codes can require different ratings. Tables with DC link fuse recommendations for DC input drives are also provided.

### *Fusing*

The recommended fuse types are listed below. If available current ratings do not match those listed in the tables that are provided, choose the next higher fuse rating.

- IEC – BS88 (British Standard) Parts 1 and 2, EN60269-1, Parts 1 and 2<sup>(1)</sup>, type gG or equivalent must be used.
- UL – UL Class CC, T, RK1, or J must be used for Frames 0...6.

### *Circuit Breakers*

The “non-fuse” listings in the following tables include inverse time circuit breakers, instantaneous trip circuit breakers (motor circuit protectors) and 140M Motor Protection Circuit Breakers (MPCBs) that are rated for use as self-protected combination motor controller (Frames 0...6 only). If one of these is chosen as the desired protection method, the following requirements apply:

- IEC – Both types of circuit breakers and 140M self-protected combination motor controllers (Frames 0...6 only) are acceptable for IEC installations.
- UL – Only inverse time circuit breakers and the specified 140M self-protected combination motor controllers (Frames 0...6 only) are acceptable for UL installations.

(1) Typical designations include, but may not be limited to the following; Parts 1 and 2: AC, AD, BC, BD, CD, DD, ED, EFS, EF, FF, FG, GF, GG, GH.



208V AC Input Protection Devices - Frames 0...6

Cat. No.	Frame (1)	Hp Rating		PWM Freq.	Temp. (12)	Input Ratings		Output Current Rating [A]			Dual Element Time Delay Fuse [A]		Non-time Delay Fuse [A]		Circuit Breaker [A] (4)	Motor Circuit Protector [A] (5)	140M MPCB with Adjustable Current Range (6)(7)			
		ND	HD	kHz	°C (17)	A	kVA	Cont.	60 s	3 s	Min (2)	Max (3)	Min (2)	Max (3)	Max (9)	Max (9)	Available Catalog Numbers (8)			Min Enclosure Vol. (in. 3) (15)
20BB2P2	0	0.5	0.33	4	50	1.9	0.7	2.5	2.8	3.8	3	6	3	10	15	3	140M-C2E-B25	140M-D8E-B25	—	7269
20BB4P2	0	1	0.75	4	50	3.7	1.3	4.8	5.6	7	6	10	6	17.5	15	7	140M-C2E-B63	140M-D8E-B63	—	7269
20BB6P8	1	2	1.5	4	50	6.8	2.4	7.8	10.4	13.8	10	15	10	30	30	15	140M-C2E-C10	140M-D8E-C10	140M-F8E-C10	7269
20BB9P6	1	3	2	4	50	9.5	3.4	11	12.1	17	12	20	12	40	40	15	140M-C2E-C16	140M-D8E-C16	140M-F8E-C16	7269
20BB015	1	5	3	4	50	15.7	5.7	17.5	19.3	26.3	20	35	20	70	70	30	140M-C2E-C20	140M-D8E-C20	140M-F8E-C20	7269
20BB022	1	7.5	5	4	50	23	8.3	25.3	27.8	38	30	50	30	100	100	30	—	140M-D8E-C25	140M-F8E-C25	7269
20BB028	2	10	7.5	4	50	29.6	10.7	32.2	38	50.6	40	70	40	125	125	50	—	—	140M-F8E-C32	7269
20BB042	3	15	10	4	50	44.5	16	48.3	53.1	72.5	60	100	60	175	175	70	—	—	140M-F8E-C45	13630
20BB052	3	20	15	4	50	51.5	17.1	56	64	86	80	125	80	200	200	100	—	—	—	—
20BB070	4	25	20	4	50	72	25.9	78.2	93	124	90	175	90	300	300	100	—	—	—	—
20BB080	4	30	25	4	50	84.7	30.5	92	117	156	110	200	110	350	350	150	—	—	—	—
20BB104 (13)	5	40	—	4	50	113	40.7	120	132	175	150	250	150	475	350	150	—	—	—	—
		—	30	4	50	84.7	30.5	92	138	175	125	200	125	350	300	150	—	—	—	—
20BB130 (13)	5	50	—	4	50	141	44.1	130	143	175	175	275	175	500	375	250	—	—	—	—
		—	40	4	50	113	35.3	104	156	175	125	225	125	400	300	150	—	—	—	—
20BB154 (13)	6	60	—	4	50	167	60.1	177	195	266	225	350	225	500	500	250	—	—	—	—
		—	50	4	50	141	50.9	150	225	300	200	300	200	500	450	250	—	—	—	—
20BB192 (13)	6	75	—	4	50	208	75	221	243	308	300	450	300	600	600	400	—	—	—	—
		—	60	4	50	167	60.1	177	266	308	225	350	225	500	500	250	—	—	—	—
20BB260 (13)	6	100	—	2	45	255	91.9	260	286	390	300	575	300	750	750	400	—	—	—	—
		—	75	2	50	199	71.7	205	305	410	225	450	225	600	600	400	—	—	—	—

240V AC Input Protection Devices - Frames 0...6

Cat. No.	Frame (1)	Hp Rating		PWM Freq.	Temp. (12)	Input Ratings		Output Current Rating [A]			Dual Element Time Delay Fuse [A]		Non-time Delay Fuse [A]		Circuit Breaker [A] (4)	Motor Circuit Protector [A] (5)	140M MPCB with Adjustable Current Range (6)(7)			
		ND	HD	kHz	°C (17)	A	kVA	Cont.	60 s	3 s	Min (2)	Max (3)	Min (2)	Max (3)	Max (9)	Max (9)	Available Catalog Numbers (8)			Min Enclosure Vol. (in. 3) (15)
20BB2P2	0	0.5	0.33	4	50	1.7	0.7	2.2	2.4	3.3	3	6	3	10	15	3	140M-C2E-B25	140M-D8E-B25	—	7269
20BB4P2	0	1	0.75	4	50	3.3	1.4	4.2	4.8	6.4	5	8	5	15	15	7	140M-C2E-B63	140M-D8E-B63	—	7269
20BB6P8	1	2	1.5	4	50	5.9	2.4	6.8	9	12	10	15	10	25	25	15	140M-C2E-C10	140M-D8E-C10	140M-F8E-C10	7269
20BB9P6	1	3	2	4	50	8.3	3.4	9.6	10.6	14.4	12	20	12	35	35	15	140M-C2E-C10	140M-D8E-C10	140M-F8E-C10	7269
20BB015	1	5	3	4	50	13.7	5.7	15.3	16.8	23	20	30	20	60	60	30	140M-C2E-C16	140M-D8E-C16	140M-F8E-C16	7269
20BB022	1	7.5	5	4	50	19.9	8.3	22	24.2	33	25	50	25	80	80	30	—	140M-D8E-C25	140M-F8E-C25	7269
20BB028	2	10	7.5	4	50	25.7	10.7	28	33	44	35	60	35	100	100	50	—	—	140M-F8E-C32	7269
20BB042	3	15	10	4	50	38.5	16	42	46.2	63	50	90	50	150	150	50	—	—	140M-F8E-C45	13630
20BB052	3	20	15	4	50	47.7	19.8	52	63	80	60	100	60	200	200	100	—	—	—	—
20BB070	4	25	20	4	50	64.2	26.7	70	78	105	90	150	90	275	275	100	—	—	—	—
20BB080	4	30	25	4	50	73.2	30.5	80	105	140	100	180	100	300	300	100	—	—	—	—

240V AC Input Protection Devices - Frames 0...6 (Continued)

Cat. No.	Frame (1)	Hp Rating		PWM Freq.	Temp. (12)	Input Ratings		Output Current Rating [A]			Dual Element Time Delay Fuse [A]		Non-time Delay Fuse [A]		Circuit Breaker [A] (4)	Motor Circuit Protector [A] (5)	140M MPCB with Adjustable Current Range (6)(7)			
		ND	HD	kHz	°C (17)	A	kVA	Cont.	60 s	3 s	Min (2)	Max (3)	Min (2)	Max (3)	Max (9)	Max (9)	Available Catalog Numbers (8)			Min Enclosure Vol. (in. 3) (15)
20BB104 (13)	5	40	—	4	50	98	40.6	104	115	175	125	225	125	400	300	150	—	—	—	—
		—	30	4	50	73	30.5	80	120	160	100	175	100	300	300	100	—	—	—	—
20BB130 (13)	5	50	—	4	50	122	50.7	130	143	175	175	275	175	500	375	250	—	—	—	—
		—	40	4	50	98	40.6	104	156	175	125	225	125	400	300	150	—	—	—	—
20BB154 (13)	6	60	—	4	50	145	60.1	154	169	231	200	300	200	600	450	250	—	—	—	—
		—	50	4	50	122	50.7	130	195	260	175	275	175	500	375	250	—	—	—	—
20BB192 (13)	6	75	—	4	50	180	74.9	192	211	288	225	400	225	600	575	250	—	—	—	—
		—	60	4	50	145	60.1	154	231	308	200	300	200	600	450	250	—	—	—	—
20BB260 (13)	6	100	—	2	45	233	96.7	260	286	390	300	575	300	750	750	300	—	—	—	—
		—	75	2	50	169	70.1	205	305	410	225	450	225	600	600	250	—	—	—	—

400V AC Input Protection Devices - Frames 0...6

Cat. No.	Frame (1)	kW Rating		PWM Freq.	Temp.	Input Ratings		Output Current Rating [A]			Dual Element Time Delay Fuse [A]		Non-time Delay Fuse [A]		Circuit Breaker [A] (4)	Motor Circuit Protector [A] (5)	140M MPCB with Adjustable Current Range (6)(7)			
		ND	HD	kHz	°C (17)	A	kVA	Cont.	60 s	3 s	Min (2)	Max (3)	Min (2)	Max (3)	Max (9)	Max (9)	Available Catalog Numbers (8)			Min Enclosure Vol. (in. 3) (15)
20BC1P3	0	0.37	0.25	4	50 (12)	1.1	0.77	1.3	1.4	1.9	3	3	3	6	15	3	140M-C2E-B16	—	—	7269
20BC2P1	0	0.75	0.55	4	50 (12)	1.8	1.3	2.1	2.4	3.2	3	6	3	8	15	3	140M-C2E-B25	140M-D8E-B25	—	7269
20BC3P5	0	1.5	0.75	4	50 (12)	3.2	2.2	3.5	4.5	6	6	7	6	12	15	7	140M-C2E-B40	140M-D8E-B40	—	7269
20BC5P0	0	2.2	1.5	4	50 (12)	4.6	3.2	5	5.5	7.5	6	10	6	20	20	7	140M-C2E-B63	140M-D8E-B63	—	7269
20BC8P7	0	4	2.2	4	50 (12)	7.9	5.5	8.7	9.9	13.2	15	17.5	15	30	30	15	140M-C2E-C10	140M-D8E-C10	140M-F8E-C10	7269
20BC011	0	5.5	4	4	50 (12)	10.8	7.5	11.5	13	17.4	15	25	15	45	45	15	140M-C2E-C16	140M-D8E-C16	140M-F8E-C16	7269
20BC015	1	7.5	5.5	4	50 (12)	14.4	10	15.4	17.2	23.1	20	30	20	60	60	20	140M-C2E-C20	140M-D8E-C20	140M-F8E-C20	7269
20BC022	1	11	7.5	4	50 (12)	20.6	14.3	22	24.2	33	30	45	30	80	80	30	—	140M-D8E-C25	140M-F8E-C25	7269
20BC030	2	15	11	4	50 (12)	28.4	19.7	30	33	45	35	60	35	120	120	50	—	—	140M-F8E-C32	7269
20BC037	2	18.5	15	4	50 (12)	35	24.3	37	45	60	45	80	45	125	125	50	—	—	140M-F8E-C45	7269
20BC043	3	22	18.5	4	50 (12)	40.7	28.2	43	56	74	60	90	60	150	150	60	—	—	—	—
20BC056	3	30	22	4	50 (12)	53	36.7	56	64	86	70	125	70	200	200	100	—	—	—	—
20BC072	3	37	30	4	50 (11)(12)	68.9	47.8	72	84	112	90	150	90	250	250	100	—	—	—	—
20BC085 (13)	4	45	—	4	45 (12)	81.4	56.4	85	94	128	110	200	110	300	300	150	—	—	—	—
		—	37	4	45 (12)	68.9	47.8	72	108	144	90	175	90	275	300	100	—	—	—	—
20BC105 (13)	5	55	—	4	50 (10)	100.5	69.6	105	116	158	125	225	125	400	300	150	—	—	—	—
		—	45	4	50 (10)	81.4	56.4	85	128	170	110	175	110	300	300	150	—	—	—	—
20BC125 (13)	5	55	—	4	50 (10)	121.1	83.9	125	138	163	150	275	150	500	375	250	—	—	—	—
		—	45	4	50 (10)	91.9	63.7	96	144	168	125	200	125	375	375	150	—	—	—	—
20BC140 (13)	5	75	—	4	40 (10)	136	93.9	140	154	190	200	300	200	400	400	250	—	—	—	—
		—	55	4	40 (10)	101	69.6	105	157	190	150	225	150	300	300	150	—	—	—	—
20BC170 (13)	6	90	—	4	50 (10)	164	126	170	187	255	250	375	250	600	500	250	—	—	—	—
		—	75	4	50 (10)	136	103	140	210	280	200	300	200	550	400	250	—	—	—	—

400V AC Input Protection Devices – Frames 0...6 (Continued)

Cat. No.	Frame (1)	kW Rating		PWM Freq.	Temp.	Input Ratings		Output Current Rating [A]			Dual Element Time Delay Fuse [A]		Non-time Delay Fuse [A]		Circuit Breaker [A] (4)	Motor Circuit Protector [A] (5)	140M MPCB with Adjustable Current Range (6)(7)			
		ND	HD	kHz	°C (17)	A	kVA	Cont.	60 s	3 s	Min (2)	Max (3)	Min (2)	Max (3)	Max (9)	Max (9)	Available Catalog Numbers (8)			Min Enclosure Vol. (in. <sup>3</sup> ) (15)
20BC205 (13)	6	110	—	4	40 <sup>(10)</sup>	199	148	205	220	289	250	450	250	600	600	400	—	—	—	—
		—	90	4	40 <sup>(10)</sup>	164	126	170	255	313	250	375	250	600	500	250	—	—	—	—
20BC260 (13)	6	132	—	2	45 <sup>(10)</sup>	255	177	260	286	390	350	550	350	750	750	400	—	—	—	—
		—	110	2	50 <sup>(10)</sup>	199	138	205	308	410	250	450	250	600	600	400	—	—	—	—

480V AC Input Protection Devices – Frames 0...6

Cat. No.	Frame (1)	Hp Rating		PWM Freq.	Temp.	Input Ratings		Output Current Rating [A]			Dual Element Time Delay Fuse [A]		Non-time Delay Fuse [A]		Circuit Breaker [A] (4)	Motor Circuit Protector [A] (5)	140M MPCB with Adjustable Current Range (6)(7)			
		ND	HD	kHz	°C (17)	A	kVA	Cont.	60 s	3 s	Min (2)	Max (3)	Min (2)	Max (3)	Max (9)	Max (9)	Available Catalog Numbers (8)			Min Enclosure Vol. (in. <sup>3</sup> ) (15)
20BD1P1	0	0.5	0.3 3	4	50 <sup>(12)</sup>	0.9	0.7	1.1	1.2	1.6	3	3	3	6	15	3	140M-C2E-B16	—	—	7269
20BD2P1	0	1	0.75	4	50 <sup>(12)</sup>	1.6	1.4	2.1	2.4	3.2	3	6	3	8	15	3	140M-C2E-B25	—	—	7269
20BD3P4	0	2	1.5	4	50 <sup>(12)</sup>	2.6	2.2	3.4	4.5	6	4	8	4	12	15	7	140M-C2E-B40	140M-D8E-B40	—	7269
20BD5P0	0	3	2	4	50 <sup>(12)</sup>	3.9	3.2	5	5.5	7.5	6	10	6	20	20	7	140M-C2E-B63	140M-D8E-B63	—	7269
20BD8P0	0	5	3	4	50 <sup>(12)</sup>	6.9	5.7	8	8.8	12	10	15	10	30	30	15	140M-C2E-C10	140M-D8E-C10	140M-F8E-C10	7269
20BD011	0	7.5	5	4	50 <sup>(12)</sup>	9.5	7.9	11	12.1	16.5	15	20	15	40	40	15	140M-C2E-C16	140M-D8E-C16	140M-F8E-C16	7269
20BD014	1	10	7.5	4	50 <sup>(12)</sup>	12.5	10.4	14	16.5	22	17.5	30	17.5	50	50	20	140M-C2E-C16	140M-D8E-C16	140M-F8E-C16	7269
20BD022	1	15	10	4	50 <sup>(12)</sup>	19.9	16.6	22	24.2	33	25	50	25	80	80	30	—	140M-D8E-C25	140M-F8E-C25	7269
20BD027	2	20	15	4	50 <sup>(12)</sup>	24.8	20.6	27	33	44	35	60	35	100	100	50	—	—	140M-F8E-C32	7269
20BD034	2	25	20	4	50 <sup>(12)</sup>	31.2	25.9	34	40.5	54	40	70	40	125	125	50	—	—	140M-F8E-C45	7269
20BD040	3	30	25	4	50 <sup>(12)</sup>	36.7	30.5	40	51	68	50	90	50	150	150	50	—	—	140M-F8E-C45	13630
20BD052	3	40	30	4	50 <sup>(12)</sup>	47.7	39.7	52	60	80	60	110	60	200	200	70	—	—	—	—
20BD065	3	50	40	4	50 <sup>(12)</sup>	59.6	49.6	65	78	104	80	125	80	250	250	100	—	—	—	—
20BD077 (13)	4	60	—	4	50 <sup>(12)</sup>	72.3	60.1	77	85	116	100	170	100	300	300	100	—	—	—	—
		—	50	4	50 <sup>(12)</sup>	59.6	49.6	65	98	130	80	125	80	250	250	100	—	—	—	—
20BD096 (13)	5	75	—	4	50 <sup>(10)</sup>	90.1	74.9	96	106	144	125	200	125	350	350	125	—	—	—	—
		—	60	4	50 <sup>(10)</sup>	72.3	60.1	77	116	154	100	170	100	300	300	100	—	—	—	—
20BD125 (13)	5	100	—	4	50 <sup>(10)</sup>	117	97.6	125	138	163	150	250	150	500	375	150	—	—	—	—
		—	75	4	50 <sup>(10)</sup>	90.1	74.9	96	144	168	125	200	125	350	350	125	—	—	—	—
20BD156 (13)	6	125	—	4	50 <sup>(10)</sup>	147	122	156	172	234	200	350	200	600	450	250	—	—	—	—
		—	100	4	50 <sup>(10)</sup>	131	109	125	188	250	175	250	175	500	375	250	—	—	—	—
20BD180 (13)	6	150	—	4	50 <sup>(10)</sup>	169	141	180	198	270	225	400	225	600	500	250	—	—	—	—
		—	125	4	50 <sup>(10)</sup>	147	122	156	234	312	200	350	200	600	450	250	—	—	—	—
20BD248 (13)	6	200	—	2	45 <sup>(10)</sup>	233	194	248	273	372	300	550	300	700	700	400	—	—	—	—
		—	150	2	50 <sup>(10)</sup>	169 (16)	141	180	270	360	225	400	225	600	500	250	—	—	—	—

600V AC Input Protection Devices - Frames 0...6<sup>(14)</sup>

Cat. No.	Frame <sup>(1)</sup>	Hp Rating		PWM Freq.	Temp. <sup>(12)</sup>	Input Ratings		Output Current Rating [A]			Dual Element Time Delay Fuse [A]		Non-time Delay Fuse [A]		Circuit Breaker [A] <sup>(4)</sup>	Motor Circuit Protector [A] <sup>(5)</sup>	140M MPCB with Adjustable Current Range <sup>(6)(7)</sup>			
		ND	HD	kHz	°C <sup>(17)</sup>	A	kVA	Cont.	60 s	3 s	Min <sup>(2)</sup>	Max <sup>(3)</sup>	Min <sup>(2)</sup>	Max <sup>(3)</sup>	Max <sup>(9)</sup>	Max <sup>(9)</sup>	Available Catalog Numbers <sup>(8)</sup>			Min Enclosure Vol. (in. <sup>3</sup> ) <sup>(15)</sup>
20BE1P7	0	1	0.5	4	50	1.3	1.4	1.7	2	2.6	2	4	2	6	15	3	140M-C2E-B16	—	—	7269
20BE2P7	0	2	1	4	50	2.1	2.1	2.7	3.6	4.8	3	6	3	10	15	3	140M-C2E-B25	—	—	7269
20BE3P9	0	3	2	4	50	3	3.1	3.9	4.3	5.9	6	9	6	15	15	7	140M-C2E-B40	140M-D8E-B40	—	7269
20BE6P1	0	5	3	4	50	5.3	5.5	6.1	6.7	9.2	9	12	9	20	20	15	—	140M-D8E-B63	—	7269
20BE9P0	0	7.5	5	4	50	7.8	8.1	9	9.9	13.5	10	20	10	35	30	15	—	140M-D8E-C100	140M-F8E-C10	7269
20BE011	1	10	7.5	4	50	9.9	10.2	11	13.5	18	15	25	15	40	40	15	—	140M-D8E-C10	140M-F8E-C10	7269
20BE017	1	15	10	4	50	15.4	16	17	18.7	25.5	20	40	20	60	50	20	—	140M-D8E-C16	140M-F8E-C16	7269
20BE022	2	20	15	4	50	20.2	21	22	25.5	34	30	50	30	80	80	30	—	—	140M-F8E-C25	7269
20BE027	2	25	20	4	50	24.8	25.7	27	33	44	35	60	35	100	100	50	—	—	140M-F8E-C25	7269
20BE032	3	30	25	4	50	29.4	30.5	32	40.5	54	40	70	40	125	125	50	—	—	140M-F8E-C32	13630
20BE041	3	40	30	4	50	37.6	39.1	41	48	64	50	90	50	150	150	100	—	—	—	—
20BE052	3	50	40	4	50	47.7	49.6	52	61.5	82	60	110	60	200	200	100	—	—	—	—
20BE062	4	60	50	2	50	58.2	60.5	62	78	104	80	125	80	225	225	100	—	—	—	—
20BE077 <sup>(13)</sup>	5	75	—	2	50 <sup>(10)</sup>	72.3	75.1	77	85	116	90	150	90	300	300	100	—	—	—	—
		—	60	2	50 <sup>(10)</sup>	58.2	60.5	63	94	126	90	125	90	250	250	100	—	—	—	—
20BE099 <sup>(13)</sup>	5	100	—	2	40 <sup>(10)</sup>	92.9	96.6	99	109	126	125	200	125	375	375	150	—	—	—	—
		—	75	2	40 <sup>(10)</sup>	72.3	75.1	77	116	138	100	175	100	300	300	100	—	—	—	—
20BE125 <sup>(13)</sup>	6	125	—	2	50 <sup>(10)</sup>	117	122	125	138	188	150	250	150	375	375	250	—	—	—	—
		—	100	2	50 <sup>(10)</sup>	93	96.6	99	149	198	125	200	125	375	375	150	—	—	—	—
20BE144 <sup>(13)</sup>	6	150	—	2	50 <sup>(10)</sup>	135	141	144	158	216	175	300	175	400	400	250	—	—	—	—
		—	125	2	50 <sup>(10)</sup>	117	122	125	188	250	150	275	150	375	375	250	—	—	—	—

690V AC Input Protection Devices - Frames 0...6<sup>(14)</sup>

Cat. No. <sup>(13)</sup>	Frame <sup>(1)</sup>	kW Rating		PWM Freq.	Temp. <sup>(12)</sup>	Input Ratings		Output Current Rating [A]			Dual Element Time Delay Fuse [A]		Non-time Delay Fuse [A]		Circuit Breaker [A] <sup>(4)</sup>	Motor Circuit Protector [A] <sup>(5)</sup>
		ND	HD	kHz	°C <sup>(17)</sup>	A	kVA	Cont.	60 s	3 s	Min <sup>(2)</sup>	Max <sup>(3)</sup>	Min <sup>(2)</sup>	Max <sup>(3)</sup>	Max <sup>(9)</sup>	Max <sup>(9)</sup>
20BF052	5	45	—	4	50 <sup>(10)</sup>	46.9	56.1	52	57	78	60	110	60	175	175	—
		—	37.5	4	50 <sup>(10)</sup>	40.1	48	46	69	92	50	90	50	150	150	—
20BF060	5	55	—	4	50 <sup>(10)</sup>	57.7	68.9	60	66	90	80	125	80	225	225	—
		—	45	4	50 <sup>(10)</sup>	46.9	56.1	52	78	104	60	110	60	175	175	—
20BF082	5	75	—	2	50 <sup>(10)</sup>	79	94.4	82	90	123	100	200	100	375	375	—
		—	55	2	50 <sup>(10)</sup>	57.7	68.9	60	90	120	80	125	80	225	225	—
20BF098	5	90	—	2	40 <sup>(10)</sup>	94.7	113	98	108	127	125	200	125	375	375	—
		—	75	2	40 <sup>(10)</sup>	79	94.4	82	123	140	100	200	100	375	375	—
20BF119	6	110	—	2	50 <sup>(10)</sup>	115	137	119	131	179	150	250	150	400	—	—
		—	90	2	50 <sup>(10)</sup>	94.7	113	98	147	196	125	200	125	375	—	—
20BF142	6	132	—	2	50 <sup>(10)</sup>	138	165	142	156	213	175	300	175	450	—	—
		—	110	2	50 <sup>(10)</sup>	115	137	119	179	238	150	250	150	400	—	—

Notes

- (1) For IP66 (NEMA /UL Type 4X/12) enclosures, drives listed as Frame A increase to Frame B and drives listed as Frame C increase to Frame D.
- (2) Minimum protection device size is the lowest rated device that supplies maximum protection without nuisance tripping.
- (3) Maximum protection device size is the highest rated device that supplies drive protection. For US NEC, minimum size is 125% of motor FLA. Ratings that are shown are maximum.

- (4) Circuit Breaker - inverse time breaker. For US NEC, minimum size is 125% of motor FLA. Ratings that are shown are maximum.
- (5) Motor Circuit Protector - instantaneous trip circuit breaker. For US NEC, minimum size is 125% of motor FLA. Ratings that are shown are maximum.
- (6) Bulletin 140M devices with adjustable current range must have the current trip set to the minimum range that the device does not trip.
- (7) Manual Self-Protected (Type E) Combination Motor Controller, UL Listed for 208V Wye or Delta, 240V Wye or Delta, 480Y/277V or 600Y/347V. Not UL Listed for use on 480V or 600V Delta/Delta, corner ground, or high-resistance ground systems.
- (8) The AIC ratings of the Bulletin 140M devices can vary. See publication [140-TD005](#) or [140M-TD002](#).
- (9) Maximum allowable rating by US NEC. Exact size must be chosen for each installation.
- (10) UL Type 12/IP54 (flange mount) heat sink ambient temperature rating is 40° C/ambient of unprotected drive portion (inside enclosure) is 55° C. The ambient temperature for the UL Type 12/IP54 standalone drives is 40° C.
- (11) Must remove top label and vent plate, drive enclosure rating is IP00, NEMA / UL Type Open.
- (12) Frames 0...4 temperature rating is for NEMA / UL Type Open. The adhesive top label must be removed to operate drive at this temperature. Frames 5 and 6 do not have a top label.
- (13) Drives have dual current ratings; one for normal duty applications, and one for heavy-duty applications. The drive can be operated at either rating.
- (14) Note: 600V class drives below 77 amps (Frames 0...4) are declared to meet the Low Voltage Directive and UK Low Voltage Regulations. It is the responsibility of the user to determine compliance to the EMC Directive and UK EMC Regulations.
- (15) When using a Manual Self-Protected (Type E) Combination Motor Controller, the drive must be installed in a ventilated or non-ventilated enclosure with the minimum volume that is specified in this column. Application-specific thermal considerations can require a larger enclosure.
- (16) Temperature rating is for IP20, NEMA / UL Type 1. For IP00, NEMA Type Open the temperature rating is 65 °C for the control board and 40 °C for the heat sink entry air.
- (17) 40 °C = 104 °F; 45 °C = 113 °F; 50 °C = 122 °F; 55 °C = 131 °F

## 325V DC Input Protection Devices - Frames 0...6

Cat. No.	Frame	Hp Rating		PWM Freq.	Temp. (1)	DC Input Ratings	Output Current Rating [A]			Fuse [A]	Non-time Delay Fuse (2)(11)
		ND	HD	kHz	°C (12)	A	Cont.	60 s	3 s		
20BB2P2	0	0.5	0.33	4	50	2	2.2	2.4	3.3	5	JKS-5
20BB4P2	0	1	0.75	4	50	3.8	4.2	4.8	6.4	10	JKS-10
20BB6P8	1	2	1.5	4	50	6.9	6.8	9	12	15	HSJ15
20BB9P6	1	3	2	4	50	9.7	9.6	10.6	14.4	20	HSJ20
20BB015	1	5	3	4	50	16	15.3	16.8	23	30	HSJ30
20BB022	1	7.5	5	4	50	23.3	22	24.2	33	45	HSJ45
20BB028	2	10	7.5	4	50	30	28	33	44	60	HSJ60
20BB042	3	15	10	4	50	45	42	46.2	63	90	HSJ90
20BB052	3	20	15	4	50	55	52	63	80	100	HSJ100
20BB070	4	25	20	4	50	75.3	70	78	105	150	HSJ150
20BB080	4	30	25	4	50	86.8	80	105	140	175	HSJ175
20BN104 <sup>(3)</sup>	5	40	—	4	50	114.1	104	115	175	200	HSJ200
		—	30	4	50	85.8	80	120	160	200	HSJ200
20BN130 <sup>(3)</sup>	5	50	—	4	50	142.6	130	143	175	200	HSJ200
		—	40	4	50	114.1	104	156	175	200	HSJ200
20BN154 <sup>(3)</sup>	6	60	—	4	50	169	154	169	231	300	HSJ300
		—	50	4	50	142.6	130	195	260	300	HSJ300
20BN192 <sup>(3)</sup>	6	75	—	4	50	210.6	192	211	288	350	HSJ350
		—	60	4	50	169	154	231	308	350	HSJ350
20BN260 <sup>(3)</sup>	6	100	—	2	45	285.3	260	286	390	400	HSJ400
		—	75	2	50	210.6	205	305	410	400	HSJ400

## 540V DC Input Protection Devices - Frames 0...6

Cat. No.	Frame	kW Rating		PWM Freq.	Temp. (1)	DC Input Ratings	Output Current Rating [A]			Fuse [A]	Non-time Delay Fuse (2)(11)
		ND	HD	kHz	°C (12)	A	Cont.	60 s	3 s		
20BC1P3	0	0.37	0.25	4	50	1.3	1.3	1.4	1.9	3	JKS-3
20BC2P1	0	0.75	0.55	4	50	2.1	2.1	2.4	3.2	6	JKS-6
20BC3P5	0	1.5	0.75	4	50	3.7	3.5	4.5	6	8	JKS-8
20BC5P0	0	2.2	1.5	4	50	5.3	5	5.5	7.5	10	JKS-10
20BC8P7	0	4	3	4	50	9.3	8.7	9.9	13.2	15	HSJ15
20BC011	0	5.5	4	4	50	12.6	11.5	13	17.4	20	HSJ20
20BC015	1	7.5	5.5	4	50	16.8	15.4	17.2	23.1	25	HSJ25
20BC022	1	11	7.5	4	50	24	22	24.2	33	40	HSJ40
20BC030	2	15	11	4	50	33.2	30	33	45	50	HSJ50
20BC037	2	18.5	15	4	50	40.9	37	45	60	70	HSJ70
20BC043	3	22	18.5	4	50	47.5	43	56	74	90	HSJ90
20BC056	3	30	22	4	50	61.9	56	64	86	100	HSJ100
20BC072	3	37	30	4	50 <sup>(7)</sup>	80.5	72	84	112	125	HSJ125
20BC085 <sup>(3)(5)</sup>	4	45	—	4	45	95.1	85	94	128	150	HSJ150
		—	37	4	45	80.5	72	108	144	175	HSJ175

Cat. No.	Frame	kW Rating		PWM Freq.	Temp. (1)	DC Input Ratings	Output Current Rating [A]			Fuse [A]	Non-time Delay Fuse (2)(11)
		ND	HD	kHz	°C (12)		A	Cont.	60 s		
20BH105 <sup>(3)(5)</sup>	5	55	—	4	50 <sup>(4)</sup>	120.2	105	116	158	175	HSJ175
		—	45	4	50 <sup>(4)</sup>	95.1	85	128	170	200	HSJ200
20BH140 <sup>(3)(5)</sup>	5	75	—	4	40 <sup>(4)</sup>	159	140	154	190	225	HSJ225
		—	55	4	40 <sup>(4)</sup>	120.2	105	158	190	225	HSJ225
20BH170 <sup>(3)(5)</sup>	6	90	—	4	50 <sup>(4)</sup>	192.3	170	187	255	300	HSJ300
		—	75	4	50 <sup>(4)</sup>	159	140	210	280	300	HSJ300
20BH205 <sup>(3)(5)</sup>	6	110	—	4	40 <sup>(4)</sup>	226	205	220	289	350	HSJ350
		—	90	4	40 <sup>(4)</sup>	192.3	170	255	313	350	HSJ350
20BH260 <sup>(3)(5)</sup>	6	132	—	2	45 <sup>(4)</sup>	298	260	286	390	500	HSJ500
		—	110	2	50 <sup>(4)</sup>	226	205	305	410	500	HSJ500

## 650V DC Input Protection Devices – Frames 0...6

Cat. No.	Frame	Hp Rating		PWM Freq.	Temp. (1)	DC Input Ratings	Output Current Rating [A]			Fuse [A]	Non-time Delay Fuse (2)(11)
		ND	HD	kHz	°C (12)		A	Cont.	60 s		
20BD1P1	0	0.5	0.33	4	50	1.0	1.1	1.2	1.6	3	JKS-3
20BD2P1	0	1	0.75	4	50	1.9	2.1	2.4	3.2	6	JKS-6
20BD3P4	0	2	1.5	4	50	3.0	3.4	4.5	6.0	6	JKS-6
20BD5P0	0	3	2	4	50	4.5	5.0	5.5	7.5	10	JKS-10
20BD8P0	0	5	3	4	50	8.1	8.0	8.8	12	15	HSJ15
20BD011	0	7.5	5	4	50	11.1	11	12.1	16.5	20	HSJ20
20BD014	1	10	7.5	4	50	14.7	14	16.5	22	30	HSJ30
20BD022	1	15	10	4	50	23.3	22	24.2	33	40	HSJ40
20BD027	2	20	15	4	50	28.9	27	33	44	50	HSJ50
20BD034	2	25	20	4	50	36.4	34	40.5	54	60	HSJ60
20BD040	3	30	25	4	50	42.9	40	51	68	80	HSJ80
20BD052	3	40	30	4	50	55.7	52	60	80	90	HSJ90
20BD065	3	50	40	4	50	69.7	65	78	104	100	HSJ100
20BD077 <sup>(3)</sup>	4	60	–	4	50	84.5	77	85	116	150	HSJ150
		–	50	4	50	69.7	65	98	130	150	HSJ150
20BR096 <sup>(3)(6)</sup>	5	75	–	4	50 <sup>(4)</sup>	105.3	96	106	144	175	HSJ175
		–	60	4	50 <sup>(4)</sup>	84.5	77	116	154	175	HSJ175
20BR125 <sup>(3)(6)</sup>	5	100	–	4	50 <sup>(4)</sup>	137.1	125	138	163	200	HSJ200
		–	75	4	50 <sup>(4)</sup>	105.3	96	144	168	200	HSJ200
20BR156 <sup>(3)(6)</sup>	6	125	–	4	50 <sup>(4)</sup>	171.2	156	172	234	300	HSJ300
		–	100	4	50 <sup>(4)</sup>	137.1	125	188	250	300	HSJ300
20BR180 <sup>(3)(6)</sup>	6	150	–	4	50 <sup>(4)</sup>	204	180	198	270	400	HSJ400
		–	125	4	50 <sup>(4)</sup>	171.2	156	234	312	400	HSJ400
20BR248 <sup>(3)(6)</sup>	6	200	–	2	45 <sup>(4)</sup>	272	248	273	372	400	HSJ400
		–	150	2	50 <sup>(4)</sup>	204	180	270	360	400	HSJ400



## 810V DC Input Protection Devices – Frames 0...6

Cat. No.	Frame	Hp Rating		PWM Freq.	Temp. (1)	DC Input Ratings	Output Current Rating [A]			Fuse [A]	Non-time Delay Fuse (2)(11)
		ND	HD	kHz	°C (12)	A	Cont.	60 s	3 s		
20BE1P7	0	1	0.75	4	50	1.5	1.7	2	2.6	3	JKS-3
20BE2P7	0	2	1.5	4	50	2.4	2.7	3.6	4.8	6	JKS-6
20BE3P9	0	3	2	4	50	3.5	3.9	4.3	5.9	6	JKS-6
20BE6P1	0	5	3	4	50	6.2	6.1	6.7	9.2	10	JKS-10
20BE9P0	0	7.5	5	4	50	9.1	9	9.9	13.5	15	HSJ15
20BE011	0	10	7.5	4	50	11.5	11	13.5	18	20	HSJ20
20BE017	1	15	10	4	50	18	17	18.7	25.5	30	HSJ30
20BE022	2	20	15	4	50	23.6	22	25.5	34	40	HSJ40
20BE027	2	25	20	4	50	29	27	33	44	50	HSJ50
20BE032	3	30	25	4	50	34.3	32	40.5	54	60	HSJ60
20BE041	3	40	30	4	50	43.9	41	48	64	70	HSJ70
20BE052	3	50	40	4	50	55.7	52	61.5	82	90	HSJ90
20BE062	4	60	50	2	50	68	62	78	104	125	HSJ125
20BT099 <sup>(3)</sup>	5	100	—	2	40	108.6	99	109	126	150	HSJ150
		—	75	2	40	84.5	77	116	138	150	HSJ150
20BT144 <sup>(3)</sup>	6	150	—	2	50	158	144	158	216	250	HSJ250
		—	125	2	50	137.1	125	188	250	250	HSJ250

## 932V DC Input Protection Devices – Frames 0...6

Cat. No.	Frame	kW Rating		PWM Freq.	Temp. (1)	DC Input Ratings	Output Current Rating [A]			Fuse [A]	Non-time Delay Fuse (2)(11)
		ND	HD	kHz	°C (12)	A	Cont.	60 s	3 s		
20BW052 <sup>(3)</sup>	5	45	—	2	50 <sup>(4)</sup>	58.2	52	57	78	100	170M3691
		—	37.5	2	50 <sup>(4)</sup>	46.9	46	69	92	100	170M3691
20BW098 <sup>(3)</sup>	5	90	—	2	50 <sup>(4)</sup>	110.7	98	108	127	160	170M3693
		—	75	2	50 <sup>(4)</sup>	92.3	82	123	140	160	170M3693
20BW142 <sup>(3)</sup>	6	132	—	2	50 <sup>(4)</sup>	162.2	142	156	213	250	170M3695
		—	110	2	40 <sup>(4)</sup>	134.9	119	179	238	315	170M3696

## Notes

- (1) Frames 0...4 temperature rating is for NEMA / UL Type Open. The adhesive top label must be removed to operate drive at this temperature. Frames 5 and 6 do not have a top label.
- (2) The power source to common bus inverters must be derived from AC voltages 600V or less, as defined in NFPA70; Art 430-18 (NEC). Battery supplies or MG sets are not included. The following devices were validated to break current of the derived power DC Bus.  
Disconnects: Allen-Bradley Bulletin 1494, 30-400A; 194, 30-400A; or ABB OESA, 600 and 800A; OESL, all sizes.  
Fuses: Bussmann Type JKS, all sizes; Type 170M, Case Sizes 1, 2 and 3, or Ferraz-Shawmut Type HSJ, all sizes. For any other devices, please contact the factory.
- (3) Drives have dual current ratings; one for normal duty applications, and one for heavy-duty applications. The drive can be operated at either rating.
- (4) UL Type 12/IP54 (flange mount) heatsink ambient temperature rating is 40 °C/ambient of unprotected drive portion (inside enclosure) is 55 °C. The ambient temperature for the UL Type 12/IP54 standalone drives is 40 °C.
- (5) Also applies to "P" voltage class.
- (6) Also applies to "J" voltage class.
- (7) Must remove top label and vent plate, drive enclosure rating is IP00, NEMA / UL Type Open.
- (8) Two 630 A Bussmann 170M6608 can also be used.
- (9) Two 700 A Bussmann 170M6611 can also be used.
- (10) Bussmann or equivalent.
- (11) See Fuse Certification and Test Data in PowerFlex AC Drives in Common Bus Configurations Application Guidelines, publication [DRIVES-AT002](#), for fuse self-certification and test data for Bussmann 170M and JKS fuses recommended for the DC bus fusing.
- (12) 40 °C = 104 °F; 45 °C = 113 °F; 50 °C = 122 °F; 55 °C = 131 °F

## Cable Recommendations

### Power Cable Types Acceptable for 200...600 Volt Installations

Various cable types are acceptable for drive installations. For many installations, unshielded cable is adequate, provided it can be separated from sensitive circuits. As an approximate guide, allow a spacing of 0.3 meters (1 foot) for every 10 meters (32.8 feet) of length. In all cases, long parallel runs must be avoided. Do not use cable with an insulation thickness less than or equal to 15 mils (0.4 mm/0.015 in.). Use Copper wire only. Wire gauge requirements and recommendations are based on 75 °C (167 °F). Do not reduce wire gauge when using higher temperature wire. See table below.

Location	Rating/Type	Description
Standard (Option 1)	600V, 90 °C (194 °F) XHHW2/RHW-2 Anixter B209500-B209507, Belden 29501-29507, or equivalent	<ul style="list-style-type: none"> <li>• Four tinned copper conductors with XLP insulation.</li> <li>• Copper braid/aluminum foil combination shield and tinned copper drain wire.</li> <li>• PVC jacket.</li> </ul>
Standard (Option 2)	Tray rated 600V, 90 °C (194 °F) RHH/RHW-2 Anixter 0LF-7xxxxx or equivalent	<ul style="list-style-type: none"> <li>• Three tinned copper conductors with XLPE insulation.</li> <li>• 5 mil single helical copper tape (25% overlap Min) with three bare copper grounds in contact with shield.</li> <li>• PVC jacket.</li> </ul>
Class I and II; Division I and II	Tray rated 600V, 90 °C (194 °F) RHH/RHW-2 Anixter 7V-7xxxx-3G or equivalent	<ul style="list-style-type: none"> <li>• Three bare copper conductors with XLPE insulation and impervious corrugated continuously welded aluminum armor.</li> <li>• Black sunlight resistant PVC jacket overall.</li> <li>• Three copper grounds on #10 AWG and smaller.</li> </ul>

#### Unshielded

THHN, THWN or similar wire is acceptable for drive installation in dry environments provided adequate free air space and/or conduit fill rates limits are provided. **Do not use THHN or similarly coated wire in wet areas.** Any wire that is chosen must have a minimum insulation thickness of 15 mils and should not have large variations in insulation concentricity.

#### Shielded/Armored Cable

Shielded cable contains all general benefits of multi-conductor cable with the added benefit of a copper braided shield that can contain much of the noise that is generated by a typical AC drive. Strong consideration for shielded cable should be given in installations with sensitive equipment such as weigh scales, capacitive proximity switches and other devices that may be affected by electrical noise in the distribution system. Applications with large numbers of drives in a similar location, imposed EMC regulations or a high degree of communications/ networking are also good candidates for shielded cable.

Shielded cable may also help reduce shaft voltage and induced bearing currents for some applications. In addition, the increased impedance of shielded cable may help extend the distance that the motor can be located from the drive without the addition of motor protective devices such as terminator networks.

Consideration should be given to all general specifications that are dictated by the environment of the installation, including temperature, flexibility, moisture characteristics and chemical resistance. In addition, a braided shield should be included and be specified by the cable manufacturer as having coverage of at least 75%. An additional foil shield can greatly improve noise containment.

A good example of recommended cable is Belden 295xx (xx determines gauge). This cable has four (4) XLPE insulated conductors with a 100% coverage foil and an 85% coverage copper braided shield (with drain wire) surrounded by a PVC jacket.

Other types of shielded cable are available, but the selection of these types may limit the allowable cable length. Particularly, some of the newer cables twist four conductors of THHN wire and wrap them tightly with a foil shield. This construction can greatly increase the cable charging current required and reduce the overall drive performance. Unless specified in the individual distance tables as tested with the drive, these cables are not recommended and their performance against the lead length limits supplied is not known.

### Maximum Motor Cable Lengths

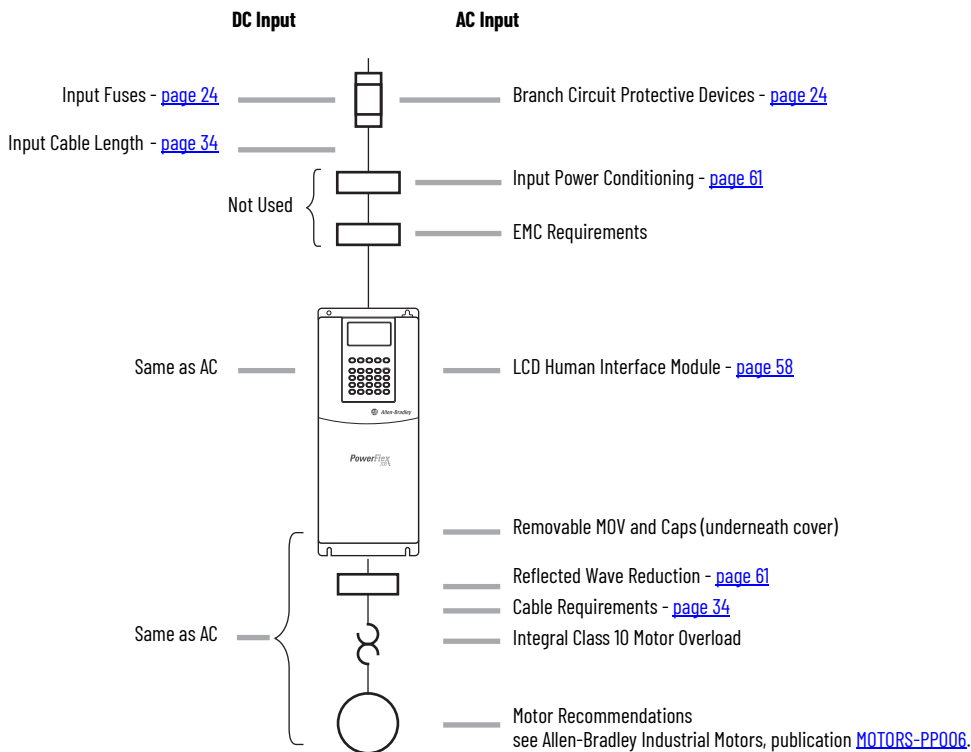
For information on maximum motor cable lengths, see the Wiring and Grounding Guidelines for Pulse Width Modulated (PWM) AC Drives, publication [DRIVES-IN001](#).

## Power Wiring

The PowerFlex 700 has the following built in protective features to help simplify installation:

- Ground fault protection during startup and running ensures reliable operation
- Electronic motor overload protection increases motor life
- Removable MOV to ground and common mode capacitors to ground ensure compatibility with ungrounded systems. These devices must be disconnected if the drive is installed on a resistive grounded distribution system, an ungrounded distribution system, a B phase grounded distribution system or impedance grounded system. These devices must also be disconnected if the drive power source is a regenerative unit (such as a bus supply and brake) or is DC fed from an active converter.
- 6 kV transient protection provides increased robustness for 380...480V system voltages

There are many other factors that must be considered for optimal performance in any given application. The block diagram below highlights the primary installation considerations. Consult the Wiring and Grounding Guidelines for Pulse Width Modulated (PWM) AC Drives, publication [DRIVES-IN001](#) for detailed recommendations on input power conditioning, dynamic braking, reflected wave protection and motor cable types.



## Terminal Blocks

### Terminal Block Specifications

See [pages 37...38](#) for typical locations.

No.	Name	Frame	Description	Wire Size Range - See Note <sup>(1)</sup>		Torque	
				Maximum	Minimum	Maximum	Recommended
①	Power Terminal Block	0 and 1	Input power and motor connections	4.0 mm <sup>2</sup> (12 AWG)	0.5 mm <sup>2</sup> (22 AWG)	1.7 N•m (15 lb•in)	0.8 N•m (7 lb•in)
		2	Input power and motor connections	10.0 mm <sup>2</sup> (8 AWG)	0.8 mm <sup>2</sup> (18 AWG)	1.7 N•m (15 lb•in)	1.4 N•m (12 lb•in)
		3	Input power and motor connections	25.0 mm <sup>2</sup> (3 AWG)	2.5 mm <sup>2</sup> (14 AWG)	3.6 N•m (32 lb•in)	1.8 N•m (16 lb•in)
			BRI, 2 terminals	10.0 mm <sup>2</sup> (8 AWG)	0.8 mm <sup>2</sup> (18 AWG)	1.7 N•m (15 lb•in)	1.4 N•m (12 lb•in)
		4	Input power and motor connections	35.0 mm <sup>2</sup> (3 AWG)	10.0 mm <sup>2</sup> (14 AWG)	4.0 N•m (35 lb•in)	4.0 N•m (35 lb•in)
		5 75 Hp, 480V 100 Hp, 600V	Input power, DC+, DC-, BR1, 2, PE, motor connections	50.0 mm <sup>2</sup> (1 AWG)	4.0 mm <sup>2</sup> (8 AWG)	See Note <sup>(2)</sup>	
		5 100 Hp	Input power, DC+, DC- and motor BR1, 2, PE terminals	70.0 mm <sup>2</sup> (2/0 AWG) 50.0 mm <sup>2</sup> (1/0 AWG)	10.0 mm <sup>2</sup> (8 AWG) 4.0 mm <sup>2</sup> (12 AWG)		
6	Input power, DC+, DC-, BR1, 2, PE, motor connections	150.0 mm <sup>2</sup> (300 MCM) see Note <sup>(2)</sup>	2.5 mm <sup>2</sup> (14 AWG)	6.0 N•m (52 lb•in)	6.0 N•m (52 lb•in)		
②	SHLD Terminal	0...6	Terminating point for wiring shields	—	—	1.6 N•m (14 lb•in)	1.6 N•m (14 lb•in)
③	AUX Terminal Block	0...4	Auxiliary control voltage	1.5 mm <sup>2</sup> (16 AWG)	0.2 mm <sup>2</sup> (24 AWG)	—	—
		5...6	PS+, PS- <sup>(3)(4)</sup>	4.0 mm <sup>2</sup> (12 AWG)	0.5 mm <sup>2</sup> (22 AWG)	0.6 N•m (5.3 lb•in)	0.6 N•m (5.3 lb•in)
④	I/O Terminal Block	0...6	Signal and control connections	2.5 mm <sup>2</sup> (14 AWG)	0.30 mm <sup>2</sup> (22 AWG)	0.6 N•m (5.3 lb•in)	0.6 N•m (5.3 lb•in)
⑤	Encoder Terminal Block	0...6	Encoder power and signal connections	0.75 mm <sup>2</sup> (18 AWG)	0.196 mm <sup>2</sup> (24 AWG)	0.6 N•m (5.3 lb•in)	0.6 N•m (5.3 lb•in)
⑥	Fan Terminal Block	5...6	User supplied fan voltage	4.0 mm <sup>2</sup> (12 AWG)	0.5 mm <sup>2</sup> (22 AWG)	0.6 N•m (5.3 lb•in)	0.6 N•m (5.3 lb•in)

(1) **Maximum/minimum sizes that the terminal block will accept - these are not recommendations.**

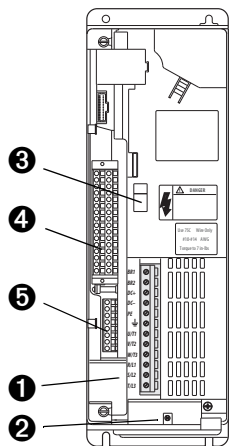
(2) See the terminal block label inside the drive.

(3) External control power: UL Installation-300V DC, ±10%, Non UL Installation-270...600V DC, ±10% (0...3 Frame-40W, 165 mA, 5 Frame-80W, 90 mA).

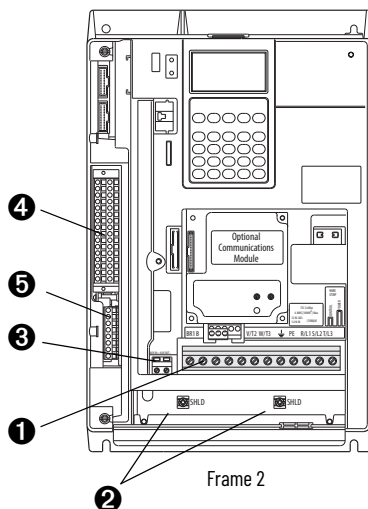
(4) An Auxiliary Control Power Supply such as the 20-24V-AUX can be used with 400/480 and 600/690 Volt drives with Vector Control. However, consult the factory before using an auxiliary power supply in these instances.

**Important:** The Auxiliary Control Power Supply Must Not be used with any Standard Control drive or any 200/240V PowerFlex 700 drive, Standard or Vector Control.

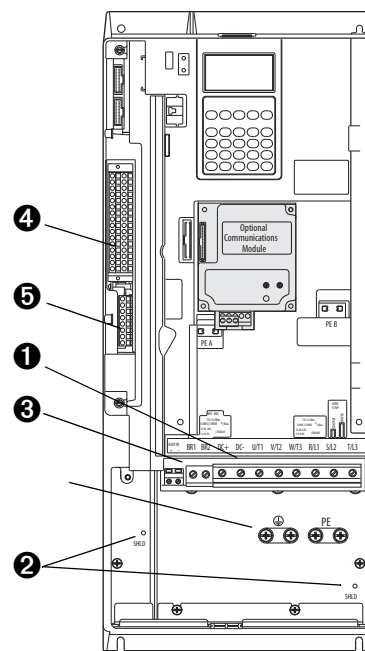
Typical Terminal Block Location



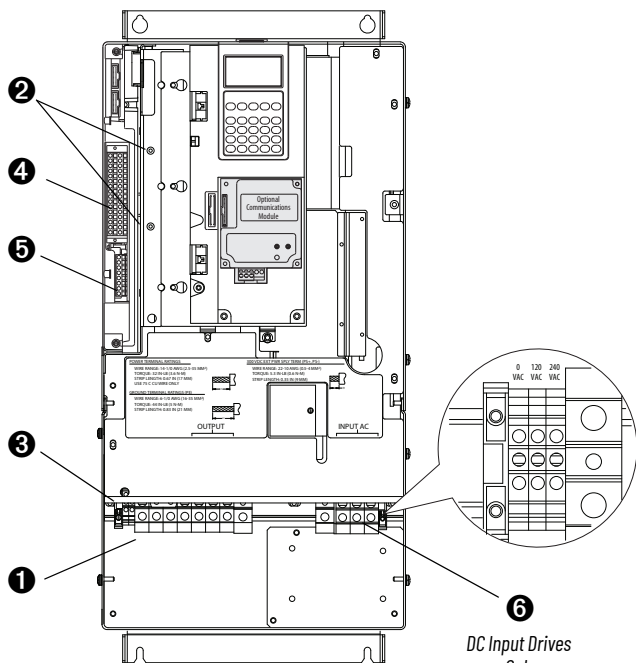
Frames 0...1



Frame 2

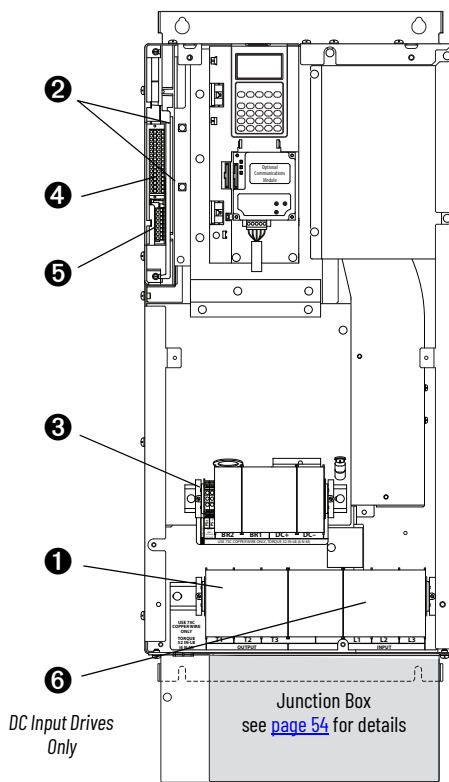


Frames 3...4



Frame 5

DC Input Drives Only

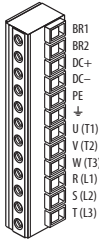
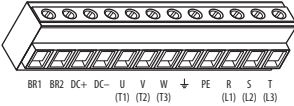
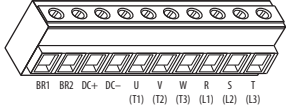
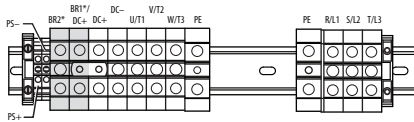
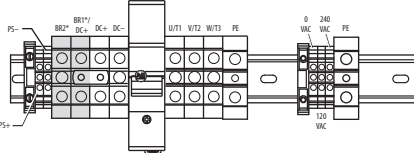
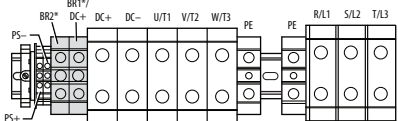
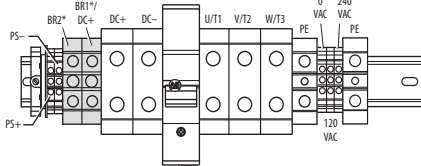
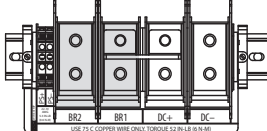
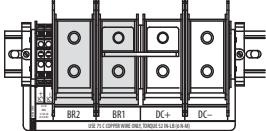
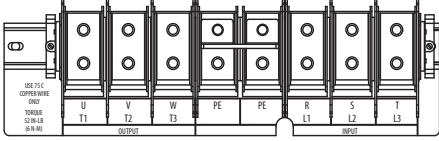
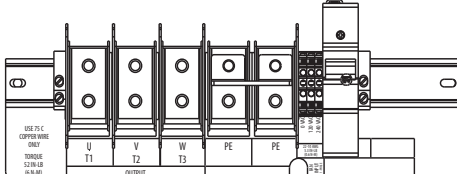


Frame 6

DC Input Drives Only

⊕ / PE

Power Terminals

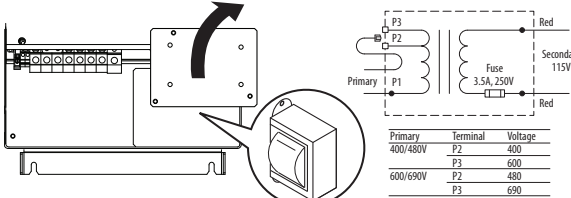
Frame	Terminal Block	
0...1		
2		<p><b>* Note:</b> Shaded BR1 and BR2 Terminals will only be present on drives that are ordered with the Brake Option.</p>
3...4		
	<p><b>AC Input</b></p>	
5	<p>75 Hp, Normal Duty</p> 	<p>75 Hp, Normal Duty</p> 
	<p>100 Hp, Normal Duty</p> 	<p>100 Hp, Normal Duty</p> 
6	<p>125...200 Hp, Normal Duty</p> 	<p>125...200 Hp, Normal Duty</p> 
		

## Fan Circuit Power Supply

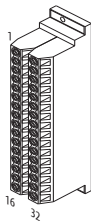
Some drives utilize a fan transformer to power the internal fan(s). This transformer is sized specifically for the internal fan(s) and must not be used to power other circuitry. If your line voltage is different than the voltage class specified on the drive nameplate, changing the transformer taps will be required.

### Frames 5...6 Fan Connections

Drive Type	Enclosure	Rating (120V AC)	No. of Fans	Connect at ...
DC Input	IP00, NEMA / UL Type Open	100VA (Frame 5) 138VA (Frame 6)	1	Power Terminal Block Requires user supplied 120 or 240V AC. See <a href="#">page 37</a> for TB locations and terminal designations.
	IP20, NEMA / UL Type 1 IP54, NEMA / UL Type 12	100VA (Frame 5) 138VA (Frame 6)	1	
AC Input	IP00, NEMA / UL Type Open	100VA (Frame 5) 138VA (Frame 6)	1	N/A (Connected internally) A transformer matches the input line voltage to the internal fan voltage. If line voltage is different than the voltage class specified on the drive nameplate, the transformer taps may require changing. The transformer is behind the Power Terminal Block. Access is gained by releasing the terminal block from the rail and removing the transformer cover plate. 1. Locate the small metal tab at the bottom of the end terminal block. 2. Press the tab-in and pull the top of the block out. Repeat for the next block if desired. 3. Remove the transformer cover plate. 4. Select the appropriate transformer tap. 5. Replace cover and terminal block.
	IP20, NEMA / UL Type 1 IP54, NEMA / UL Type 12	100VA (Frame 5) 138VA (Frame 6)	1	



# I/O Wiring



**Standard Control Option – Frames 0...6 <sup>(1)</sup>**

No.	Signal	Factory Default	Description
1	Anlg Volts In 1 (-)	(3)	Isolated <sup>(4)</sup> , bipolar, differential, ±10V, 11 bit and sign, 88k ohm input impedance.
2	Anlg Volts In 1 (+)		
3	Anlg Volts In 2 (-)	(3)	Isolated <sup>(5)</sup> , bipolar, differential, ±10V, 11 bit and sign, 88k ohm input impedance.
4	Anlg Volts In 2 (+)		
5	Pot Common	—	For (+) and (-) 10V pot references.
6	Anlg Volts Out 1 (-)	(3)	Bipolar, ±10V, 11 bit and sign, 2k ohm minimum load.
7	Anlg Volts Out 1 (+)		
8	Anlg Current Out 1 (-)	(3)	4-20mA, 11 bit and sign, 400 ohm maximum load.
9	Anlg Current Out 1 (+)		
10	Reserved for Future Use		
11	Digital Out 1 – N.C. <sup>(2)</sup>	Fault	Max Resistive Load: 240V AC/30V DC – 1200VA, 150W Max Current: 5 A, Min Load: 10 mA Max Inductive Load: 240V AC/30V DC – 840VA, 105 W Max Current: 3.5 A, Min Load: 10 mA
12	Digital Out 1 Common		
13	Digital Out 1 – N.O. <sup>(2)</sup>	NOT Fault	
14	Digital Out 2 – N.C. <sup>(2)</sup>	NOT Run	
15	Digital Out 2 Common		
16	Digital Out 2 – N.O. <sup>(2)</sup>	Run	
17	Anlg Current In 1 (-)	(3)	Isolated <sup>(4)</sup> , 4-20 mA, 11 bit and sign, 124 ohm input impedance.
18	Anlg Current In 1 (+)		
19	Anlg Current In 2 (-)	(3)	Isolated <sup>(5)</sup> , 4-20 mA, 11 bit and sign, 124 ohm input impedance.
20	Anlg Current In 2 (+)		
21	-10VDC Pot Ref.	—	2k ohm minimum.
22	+10VDC Pot Ref.	—	
23	Reserved for Future Use		
24	+24VDC <sup>(6)</sup>	—	Drive supplied logic input power. <sup>(6)</sup>
25	Digital In Common	—	
26	24V Common <sup>(6)</sup>	—	Common for internal power supply.

**Vector Control Option – Frames 0...6 <sup>(1)</sup>**

Signal	Factory Default	Description
Analog In 1 (-) <sup>(7)</sup>	(3)	Isolated <sup>(9)</sup> , bipolar, differential, ±10V/0-20 mA, 11 bit and sign. For 0...20 mA, a jumper must be installed at terminals 17 and 18 (or 19 and 20). 88k ohm input impedance when configured for volt. and 95.3 ohm for current
Analog In 1 (+) <sup>(7)</sup>		
Analog In 2 (-) <sup>(7)</sup>		
Analog In 2 (+) <sup>(7)</sup>		
Pot Common	—	For (+) and (-) 10V pot references.
Analog Out 1 (-)	(3)	Single-ended bipolar (current output is not bipolar), ±10V/0-20 mA, 11 bit and sign, Voltage mode - limit current to 5 mA. Current mode - Max load is 400 ohms.
Analog Out 1 (+)		
Analog Out 2 (-)		
Analog Out 2 (+)		
HW PTC Input 1	—	1.8k ohm PTC, Internal 3.32k ohm pull-up resistor
Digital Out 1 – N.C. <sup>(2)</sup>	Fault	Max Resistive Load: 240V AC/30V DC – 1200VA, 150 W Max Current: 5 A, Min Load: 10 mA Max Inductive Load: 240V AC/30V DC – 840VA, 105 W Max Current: 3.5 A, Min Load: 10 mA
Digital Out 1 Common		
Digital Out 1 – N.O. <sup>(2)</sup>	NOT Fault	
Digital Out 2 – N.C. <sup>(2)</sup>	NOT Run	
Digital Out 2/3 Com.		
Digital Out 3 – N.O. <sup>(2)</sup>	Run	
Current In Jumper <sup>(7)</sup> – Analog In 1		Placing a jumper across terminals 17 and 18 (or 19 and 20) configures that analog input for current.
Current In Jumper <sup>(7)</sup> – Analog In 2		
-10VDC Pot Ref.	—	2k ohm minimum load.
+10VDC Pot Ref.	—	
HW PTC Input 2	—	See above
+24VDC <sup>(6)</sup>	—	Drive supplied logic input power. <sup>(6)</sup>
Digital In Common	—	
24V Common <sup>(6)</sup>	—	Common for internal power supply.



**Standard Control Option – Frames 0...6 <sup>(1)</sup>**

No.	Signal	Factory Default	Description
27	Digital In 1	Stop - CF	115V AC, 50/60 Hz - Control and I/O Cat. No. option B Opto isolated Low State: less than 30V AC High State: greater than 100V AC, 5.0 mA 24V AC/DC, 50/60 Hz - Control and I/O Cat. No. option A Opto isolated Low State: less than 5V AC/DC High State: greater than 20V AC/DC, 11.2 mA DC Digital Input Impedance: 35k ohm
28	Digital In 2	Start	
29	Digital In 3	Auto/Man.	
30	Digital In 4	Speed Sel 1	
31	Digital In 5	Speed Sel 2	
32	Digital In 6	Speed Sel 3	

**Vector Control Option – Frames 0...6 <sup>(1)</sup>**

Signal	Factory Default	Description
Digital In 1 <sup>(8)</sup>	Stop - CF	115V AC, 50/60 Hz - Control and I/O Cat. No. option D Opto isolated Low State: less than 30V AC High State: greater than 100V AC, 5.7 mA 24V DC - Control and I/O Cat. No. option C Opto isolated Low State: less than 5V DC High State: greater than 20V DC, 10 mA DC Digital Input Impedance: 21k ohm
Digital In 2 <sup>(8)</sup>	Start	
Digital In 3 <sup>(8)</sup>	Auto/Man.	
Digital In 4 <sup>(8)</sup>	Speed Sel 1	
Digital In 5 <sup>(8)</sup>	Speed Sel 2	
Digital In 6/ Hardware Enable <sup>(6)</sup> , see page 41.	Speed Sel 3	

- (1) See the catalog number position "k" to determine your control option (A or B = standard control option, C or D = vector control option).
- (2) Contacts in unpowered state. Any relay programmed as Fault or Alarm energizes (picks up) when power is applied to drive and de-energize (drop out) when a fault or alarm exists. Relays selected for other functions energize only when that condition exists and de-energizes when condition is removed.
- (3) These inputs/outputs are dependant on a number of parameters.
- (4) Differential Isolation - External source must be maintained at less than 160V with respect to PE. Input provides high common mode immunity.
- (5) Differential Isolation - External source must be less than 10V with respect to PE.
- (6) 150 mA maximum load that is designed to power digital inputs only. Not present on 115V versions.
- (7) **Important:** 0...20 mA operation requires a jumper at terminals 17 and 18 (or 19 and 20). Drive damage can occur if jumper is not installed.
- (8) A 10k ohm, 2 watt burden resistor must be installed on each digital input when using a triac type device. The resistor is installed between each digital input and neutral /common.
- (9) Differential Isolation - External source must be maintained at less than 160V with respect to PE. Input provides high common mode immunity.

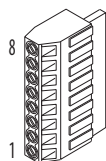
**Hardware Enable Circuitry (Vector Control Only)**

By default, you can program a digital input as an Enable input. The status of this input is *interpreted by drive software*. If the application requires the drive to be disabled *without* software interpretation, a "dedicated" hardware enable configuration can be utilized. This is done by removing a jumper and wiring the enable input to "Digital In 6."

**Encoder Interface Option (Vector Control Only)**

**Encoder Terminal Designations**

No.	Description (see Specifications on page 11)	
8	+12V <sup>(1)</sup> DC Power	Internal power source 250 mA.
7	+12V <sup>(1)</sup> DC Return (Common)	
6	Encoder Z (NOT)	Pulse, marker or registration input. <sup>(2)</sup>
5	Encoder Z	
4	Encoder B (NOT)	Quadrature B input.
3	Encoder B	
2	Encoder A (NOT)	Single channel or quadrature A input.
1	Encoder A	



- (1) Jumper selectable +5/12V is available on 20B-ENC-1 Encoder Boards.
- (2) Z channel can be used as a pulse input while A and B are used for encoder.

Sample Encoder Wiring

I/O	Connection Example
<b>Encoder Power -Internal Drive Power</b> Internal (drive) 12V DC, 250 mA <sup>(1)</sup>	
<b>Encoder Signal -Single-Ended, Dual Channel</b> <sup>(2)</sup>	

I/O	Connection Example
<b>Encoder Power -External Power Source</b>	
<b>Encoder Signal -Differential, Dual Channel</b>	

(1) SHLD connection is on drive chassis (see page 37).  
 (2) Example applies to 20B-ENC-1 only.

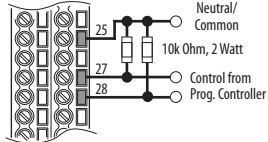
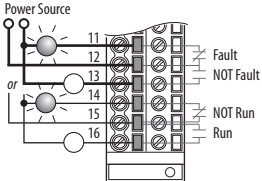
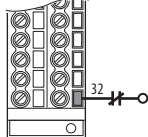
I/O Wiring Examples - Standard and Vector Control Options

Input/Output	Connection Example	Required Parameter Changes
<b>Potentiometer Unipolar Speed Reference</b> <sup>(1)</sup> 10k Ohm Pot. Recommended (2k Ohm Minimum)		<ul style="list-style-type: none"> <li>Adjust Scaling:</li> <li>Parameters 91/92 and 325/326</li> <li>View Results:</li> <li>Parameter 002</li> </ul>
<b>Joystick Bipolar Speed Reference</b> <sup>(1)</sup> ±10V Input		<ul style="list-style-type: none"> <li>Set Direction Mode:</li> <li>Parameter 190 = "1, Bipolar"</li> <li>Adjust Scaling:</li> <li>Parameters 91/92 and 325/326</li> <li>View Results:</li> <li>Parameter 002</li> </ul>
<b>Analog Input Bipolar Speed Reference</b> ±10V Input		<ul style="list-style-type: none"> <li>Set Direction Mode:</li> <li>Parameter 190 = "1, Bipolar"</li> <li>Adjust Scaling:</li> <li>Parameters 91/92 and 325/326</li> <li>View Results:</li> <li>Parameter 002</li> </ul>
<b>Analog Voltage Input Unipolar Speed Reference</b> 0 to +10V Input		<ul style="list-style-type: none"> <li>Configure Input with parameter 320</li> <li>Adjust Scaling:</li> <li>Parameters 91/92 and 325/326</li> <li>View results:</li> <li>Parameter 002</li> </ul>
<b>Analog Current Input Unipolar Speed Reference</b> Standard 4-20 mA Input		<ul style="list-style-type: none"> <li>Configure Input for Current:</li> <li>Parameter 320, Bit 1 = "1, Current"</li> <li>Adjust Scaling:</li> <li>Parameters 91/92 and 325/326</li> <li>View Results:</li> <li>Parameter 002</li> </ul>

Input/Output	Connection Example	Required Parameter Changes
<b>Analog Current Input Unipolar Speed Reference</b> <b>Vector</b> 0-20 mA Input		<ul style="list-style-type: none"> <li>• Configure Input for Current:</li> <li>• Parameter 320 and add jumper at appropriate terminals</li> <li>• Adjust Scaling:</li> <li>• Parameters 91/92 and 325/326</li> <li>• View results:</li> <li>• Parameter 002</li> </ul>
<b>Analog Input, PTC</b> <b>Vector</b> PTC OT set > 5V PTC OT cleared < 4V PTC Short < 0.2V		<ul style="list-style-type: none"> <li>• Set Fault Config 1:</li> <li>• Parameter 238, bit 7 = "Enabled"</li> <li>• Set Alarm Config 1:</li> <li>• Parameter 259, bit 11 = "Enabled"</li> <li>• View Drive Alarm 1:</li> <li>• Parameter 211, bit 11 = "True"</li> </ul>
<b>HW PTC Input</b> Series B Only PTC OT set > 5V PTC OT cleared < 4V PTC Short < 0.2V		<ul style="list-style-type: none"> <li>• Set Fault Config 1:</li> <li>• Parameter 238, bit 13 = "Enabled"</li> <li>• Set Alarm Config 1:</li> <li>• Parameter 259, bit 18 = "Enabled"</li> <li>• View Status: Drive Alarm 1:</li> <li>• Parameter 211, bit 18 = "True"</li> </ul>

(1) See the PowerFlex 700 User Manual for important bipolar wiring information.

Input/Output	Connection Example	Required Parameter Changes
<b>Analog Output</b> ±10V, 0-20 mA Bipolar +10V Unipolar (shown) <b>Standard Control</b> 4-20 mA Unipolar (use term. 8 and 9)		<ul style="list-style-type: none"> <li>• Configure with Parameter 340</li> <li>• Select Source Value:</li> <li>• Parameter 384, [Digital Out1 Sel]</li> <li>• Adjust Scaling:</li> <li>• Parameters 343/344</li> </ul>
<b>2-Wire Control Non-Reversing<sup>(1)</sup></b> 24V DC internal supply		<ul style="list-style-type: none"> <li>• Disable Digital Input:#1:</li> <li>• Parameter 361 = "0, Unused"</li> <li>• Set Digital Input #2:</li> <li>• Parameter 362 = "7, Run"</li> <li>• Set Direction Mode:</li> <li>• Parameter 190 = "0, Unipolar"</li> </ul>
<b>2-Wire Control Reversing<sup>(1)</sup></b> External supply (I/O Board dependent)		<ul style="list-style-type: none"> <li>• Set Digital Input:#1:</li> <li>• Parameter 361 = "8, Run Forward"</li> <li>• Set Digital Input #2:</li> <li>• Parameter 362 = "9, Run Reverse"</li> </ul>
<b>3-Wire Control</b> Internal supply		<ul style="list-style-type: none"> <li>• No Changes Required</li> </ul>
<b>3-Wire Control</b> External supply (I/O Board dependent). Requires 3-wire functions only ([Digital In1 Sel]). Using 2-wire selections will cause a type 2 alarm.		<ul style="list-style-type: none"> <li>• No Changes Required</li> </ul>

Input/Output	Connection Example	Required Parameter Changes
<p><b>Digital Input</b> PLC Output Card (Board dependent).</p>	 <p>Neutral/ Common 10k Ohm, 2 Watt Control from Prog. Controller</p>	<ul style="list-style-type: none"> <li>No Changes Required</li> </ul>
<p><b>Digital Output</b> Relays shown in powered state with drive faulted. See <a href="#">page 40</a>. <u>Standard Control</u> 1 relay at terminals 14-16. Vector Control 2 relays at terminals 14-16.</p>	 <p>Power Source Fault NOT Fault NOT Run Run</p>	<ul style="list-style-type: none"> <li>Select Source to Activate: Parameters 380/384</li> </ul>
<p><b>Enable Input</b></p>		<ul style="list-style-type: none"> <li><u>Standard Control</u> Configure with parameter 366</li> <li><u>Vector Control</u> Configure with parameter 366 For dedicated hardware Enable: Remove Jumper J10 (see <a href="#">page 41</a>)</li> </ul>

(1) **Important:** Programming inputs for 2 wire control deactivates all HIM Start buttons.

## Mounting

### Frame/Rating Cross-reference

#### AC Input

Frame	208/240V		400V		480V		600V		690V	
	ND Hp	HD Hp	ND kW	HD kW	ND Hp	HD Hp	ND Hp	HD Hp	ND kW	HD kW
0	0.5	0.33	0.37	0.25	0.5	0.33	1	0.5	—	—
	1	0.75	0.75	0.55	1	0.75	2	1	—	—
	—	—	1.5	0.75	2	1.5	3	2	—	—
	—	—	2.2	1.5	3	2	5	3	—	—
	—	—	4	2.2	5	3	7.5	5	—	—
	—	—	5.5	4	7.5	5	—	—	—	—
1	2	1.5	7.5	5.5	10	7.5	10	7.5	—	—
	3	2	11	7.5	15	10	15	10	—	—
	5	3	—	—	—	—	—	—	—	—
	7.5	5	—	—	—	—	—	—	—	—
2	10	7.5	15	11	20	15	20	15	—	—
	—	—	18.5	15	25	20	25	20	—	—
3	15	10	22	18.5	30	25	30	25	—	—
	20	15	30	22	40	30	40	30	—	—
	—	—	37	30	50	40	50	40	—	—
4	25	20	45	37	60	50	60	50	—	—
	30	25	—	—	—	—	—	—	—	—
5	40	30	55	45	75	60	75	60	45	37.5
	50	40	75	55	100	75	100	75	55	45
	—	—	—	—	—	—	—	—	75	55
	—	—	—	—	—	—	—	—	90	75
6	60	50	90	75	125	100	125	100	110	90
	75	60	110	90	150	125	150	125	132	110
	100	75	132	110	200	150	—	—	—	—

DC Input

Frame	325V		540V		650V		810V		932V	
	ND Hp	HD Hp	ND kW	HD kW	ND Hp	HD Hp	ND Hp	HD Hp	ND kW	HD kW
0	0.5	0.33	—	—	0.5	0.33	1	0.75	—	—
	1	0.75	—	—	1	0.75	2	1.5	—	—
	—	—	—	—	2	1.5	3	2	—	—
	—	—	—	—	3	2	5	3	—	—
	—	—	—	—	5	3	7.5	5	—	—
	—	—	—	—	7.5	5	10	7.5	—	—
1	2	1.5	0.37	0.25	10	7.5	15	10	—	—
	3	2	0.75	0.55	15	10	—	—	—	—
	5	3	1.5	0.75	—	—	—	—	—	—
	7.5	5	2.2	1.5	—	—	—	—	—	—
	—	—	4	2.2	—	—	—	—	—	—
	—	—	5.5	4	—	—	—	—	—	—
	—	—	7.5	5.5	—	—	—	—	—	—
	—	—	11	7.5	—	—	—	—	—	—
2	10	7.5	15	11	20	15	20	15	—	—
	—	—	18.5	15	25	20	25	20	—	—
3	15	10	22	18.5	30	25	30	25	—	—
	20	15	30	22	40	30	40	30	—	—
	—	—	37	30	50	40	50	40	—	—
4	25	20	45	37	60	50	60	50	—	—
	30	25	—	—	—	—	—	—	—	—
5	40	30	55	45	75	60	100	75	45	37.5
	50	40	—	—	100	75	—	—	90	75
6	60	50	75	55	125	100	150	125	132	110
	75	60	90	75	150	125	—	—	—	—
	100	75	110	90	—	—	—	—	—	—
	—	—	132	110	200	150	—	—	—	—

## Operating Temperatures

PowerFlex 700 drives are designed to operate at 0...40 °C (0...104 °F) ambient. To operate the drive in installations between 41° and 50° C, see the information below and see [pages 25...33](#) for exceptions.

### Acceptable Surrounding Air Temperature and Required Actions

Enclosure Rating	Temperature Range	Drive
IP20, NEMA / UL Type 1 (with Top Label) <sup>(1)</sup>	0...40 °C (0...104 °F)	Frames 0...4, All Ratings
	0...50 °C (0...122 °F)	Frames 5...6, Most Ratings <sup>(2)</sup>
IP20, NEMA / UL Type Open (Top Label Removed) <sup>(1)</sup>	0...50 °C (0...122 °F)	Frames 0...6, Most Ratings <sup>(2)</sup>
	0...45 °C (0...113 °F)	20BC072 Only
IP00, NEMA / UL Type Open (Top Label and Vent Plate Removed)	0...50 °C (0...122 °F)	20BC072 Only <sup>(3)</sup>
Flange Mount Front: IP00, NEMA / UL Type Open Back/Heat Sink: IP54, NEMA / UL Type 12	0...55 °C (0...131 °F) Front (Inside Encl.) 0...40 °C (0...104 °F) Back (External)	Frames 5...6
Stand-alone/Wall Mount IP54, NEMA / UL Type 12	0...40 °C (0...104 °F)	Frames 5...6

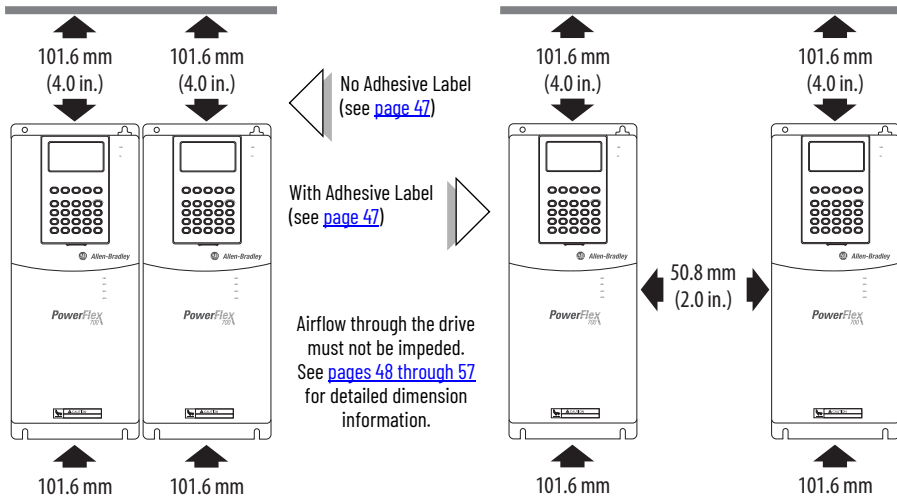
(1) Removing the adhesive top label from the drive changes the NEMA / UL enclosure rating from Type 1 to Open. Frames 5 and 6 do not have a top label.

(2) See [pages 25...33](#) for exceptions.

(3) To remove vent plate (see [page 48](#) for location), lift top edge of plate from the chassis. Rotate the plate out from the back plate.

## Minimum Mounting Clearances

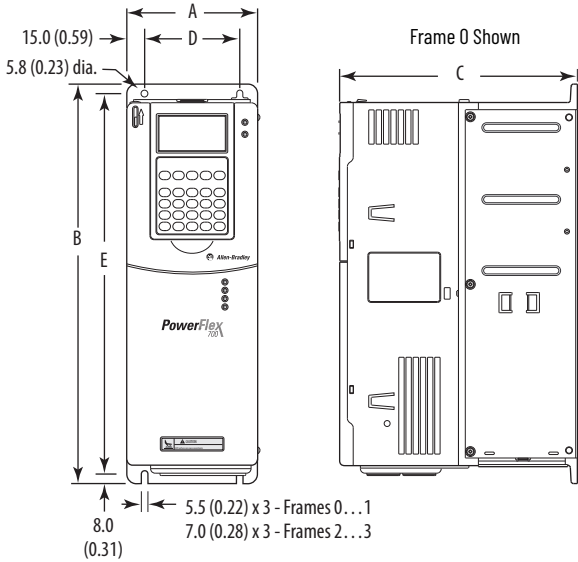
### Frames 0...6



Specified vertical clearance requirements (indicated above) are intended to be from the drive to the closest object that can restrict airflow through the drive heat sink and chassis. The drive must be mounted in a vertical orientation as shown and must make full contact with the mounting surface. Do not use standoffs or spacers. In addition, inlet air temperature must not exceed the product specification.

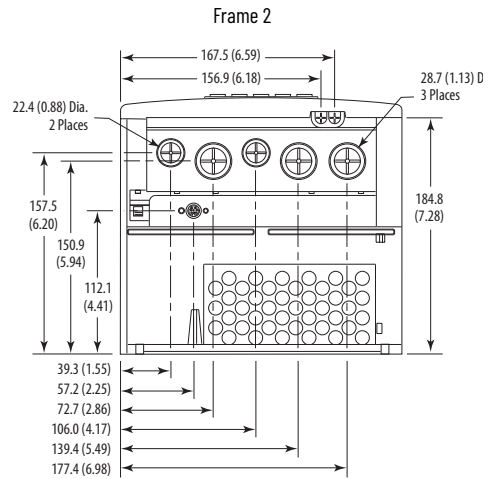
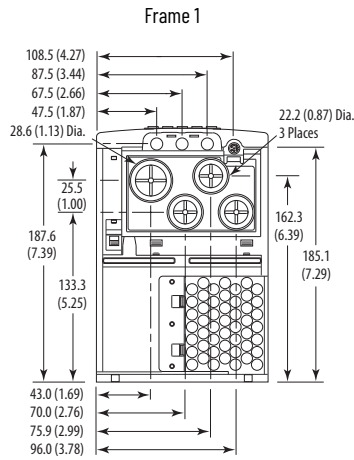
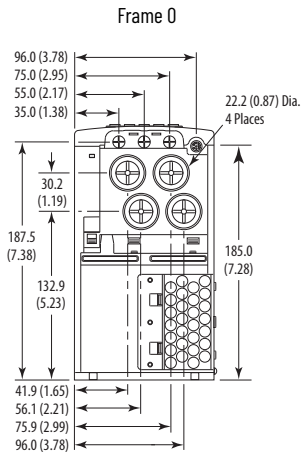
# Dimensions and Weights

## Frames 0...3 – IP20, NEMA / UL Type 1

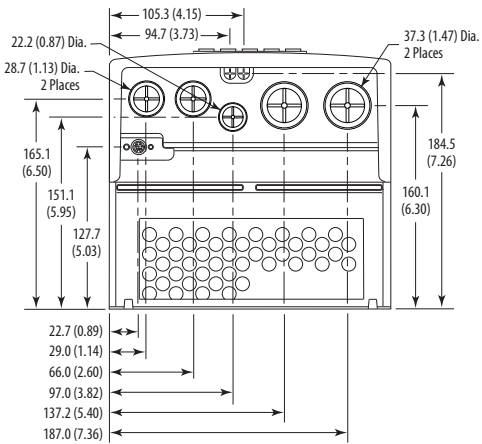


Frame	A	B	C	D	E	Weight <sup>(1)</sup> kg (lbs.)	
						Drive	Drive and Packaging
0	110.0 (4.33)	336.0 (13.23)	200.0 (7.87)	80.0 (3.15)	320.0 (12.60)	5.22 (11.5)	8.16 (18)
1	135.0 (5.31)	336.0 (13.23)	200.0 (7.87)	105.0 (4.13)	320.0 (12.60)	7.03 (15.5)	9.98 (22)
2	222.0 (8.74)	342.5 (13.48)	200.0 (7.87)	192.0 (7.56)	320.0 (12.60)	12.52 (27.6)	15.20 (33.5)
3	222.0 (8.74)	517.5 (20.37)	200.0 (7.87)	192.0 (7.56)	495.0 (19.49)	18.55 (40.9)	22.68 (50)

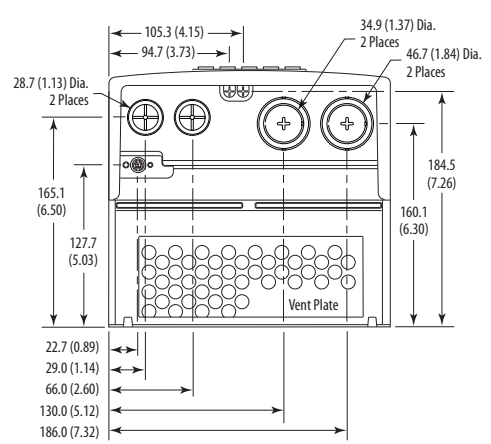
Dimensions are in millimeters and (inches)



Frame 3  
All except 50 Hp, 480V (37 kW, 400V)

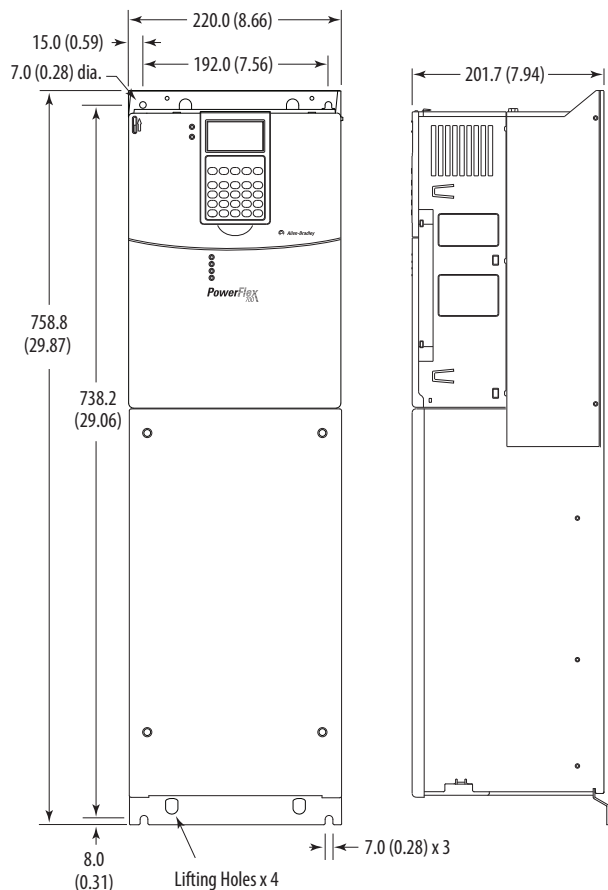


Frame 3  
50 Hp, 480V (37 kW, 400V) Normal Duty Drive





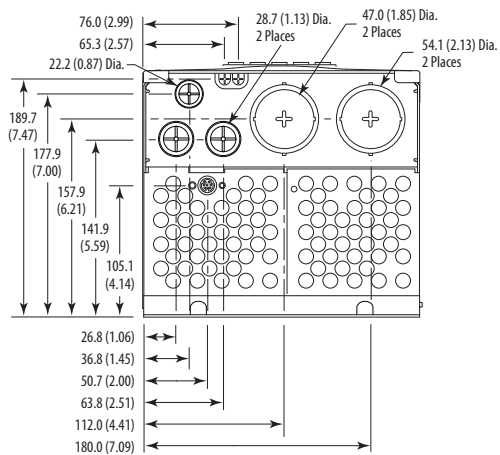
Frame 4 - IP20, NEMA / UL Type 1



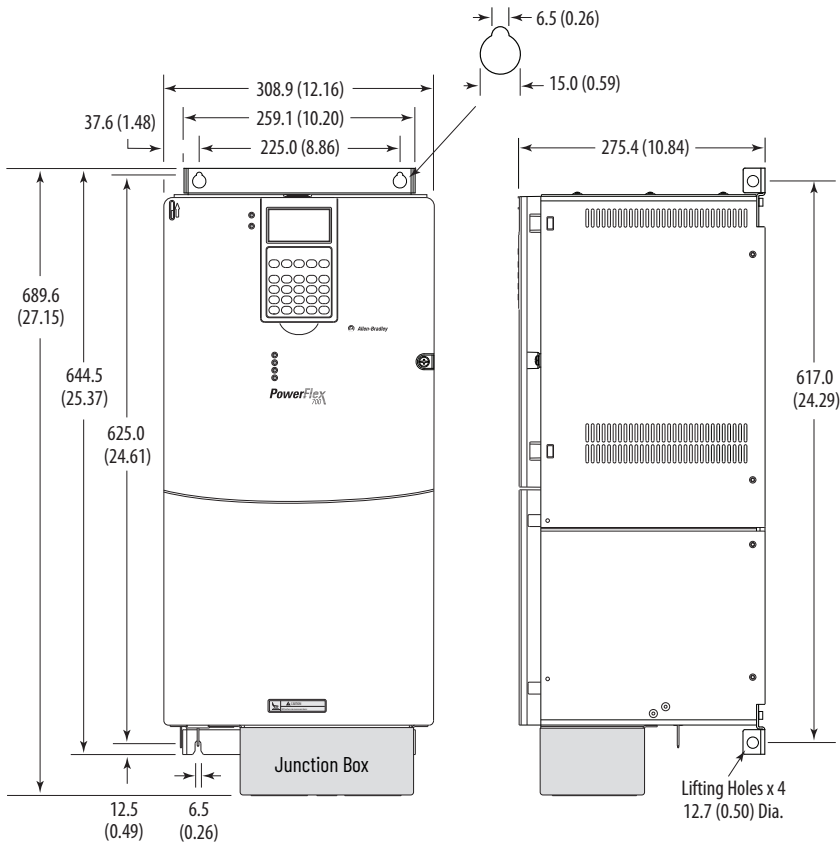
Dimensions are in millimeters and (inches)

Frame	Approx. Weight <sup>(1)</sup> kg (lbs.)	
	Drive	Drive and Packaging
4	24.49 (54.0)	29.03 (64.0)

(1) Weights include HIM and Standard I/O.

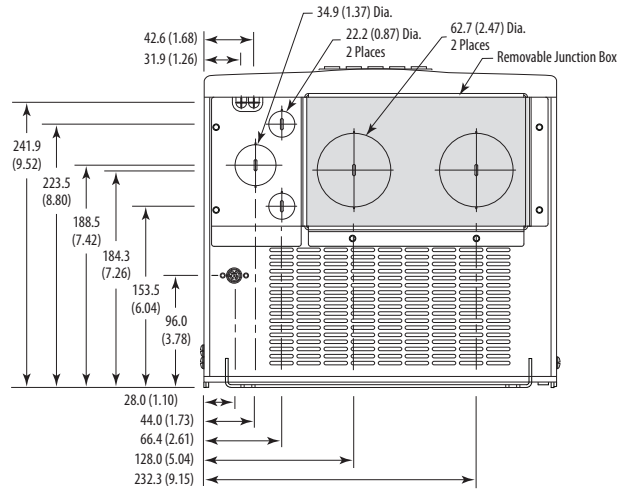
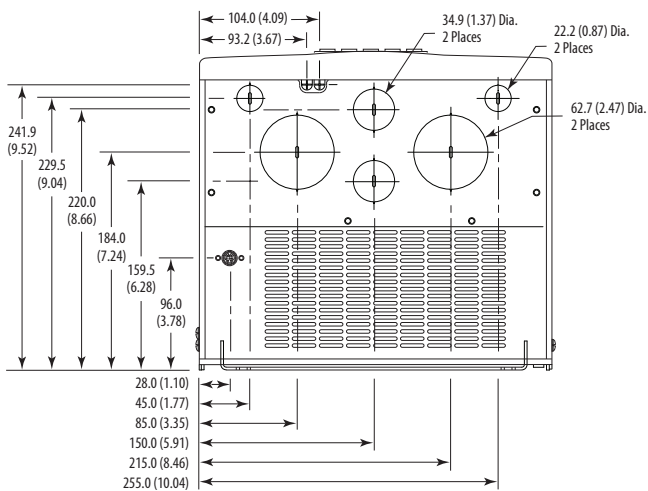


Frame 5 - IP20, NEMA / UL Type 1



30 kW, 208V (40 Hp, 240V)  
 55 kW, 400V (75 Hp, 480V)  
 45/55/75 kW, 690V (75 Hp, 600V)

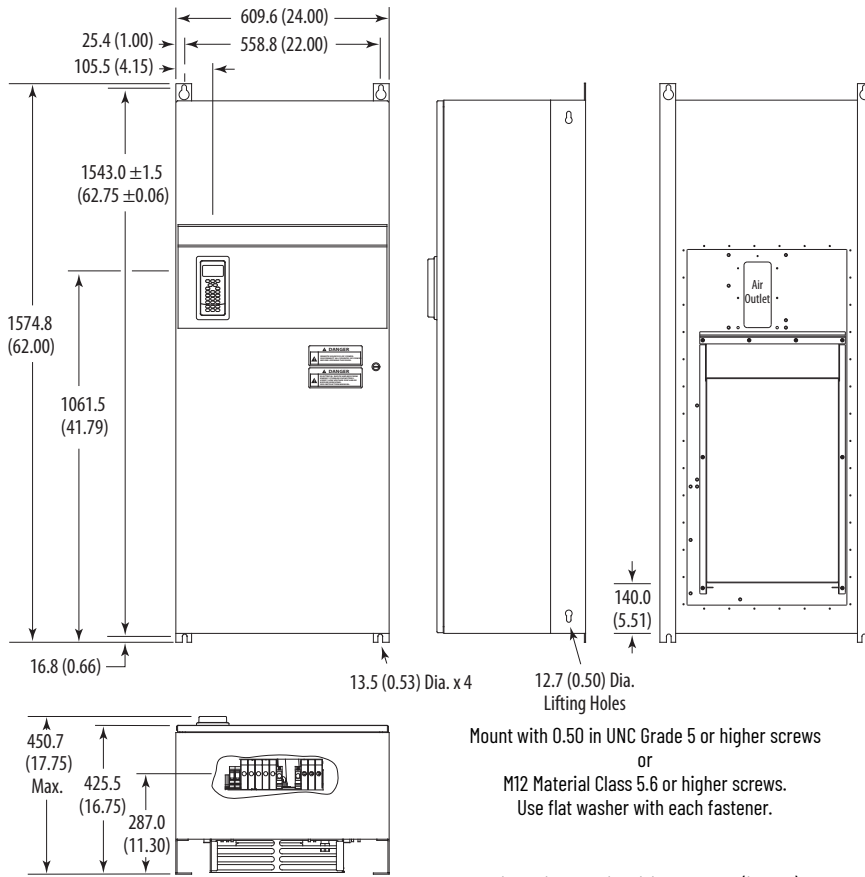
37 kW, 208V (50 Hp, 240V)  
 75 kW, 400V (100 Hp, 480V)  
 90kW, 690V (100 Hp, 600V)



Frame	Approx. Weight <sup>(1)</sup> kg (lbs.)	
	Drive	Drive and Packaging
5	37.19 (82.0)	49.50 (109.0)

(1) Weights include HIM and Standard I/O. Add 2.70 kg (6.0 lbs.) for the 20BC140 drive.

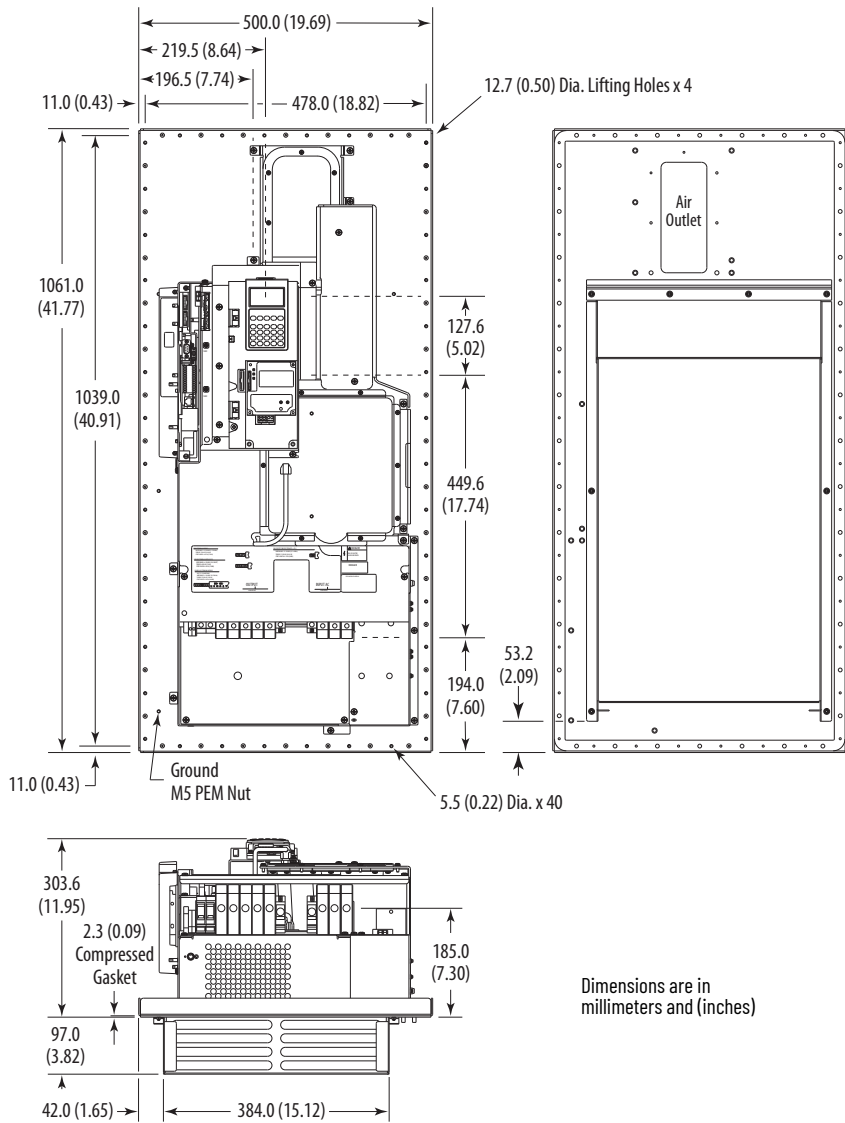
**Frame 5 - IP54, NEMA Type 12 Standalone (400...690V drives only)**



Frame	Description	Approx. Weight <sup>(1)</sup> kg (lbs.)	
		Drive	Drive and Packaging
5	Standalone	102.51 (226.0)	154.68 (341.0)

(1) Weights include HIM and Standard I/O.

**Frame 5 - IP54, NEMA Type 12 Flange Mount (400...690V drives only)**

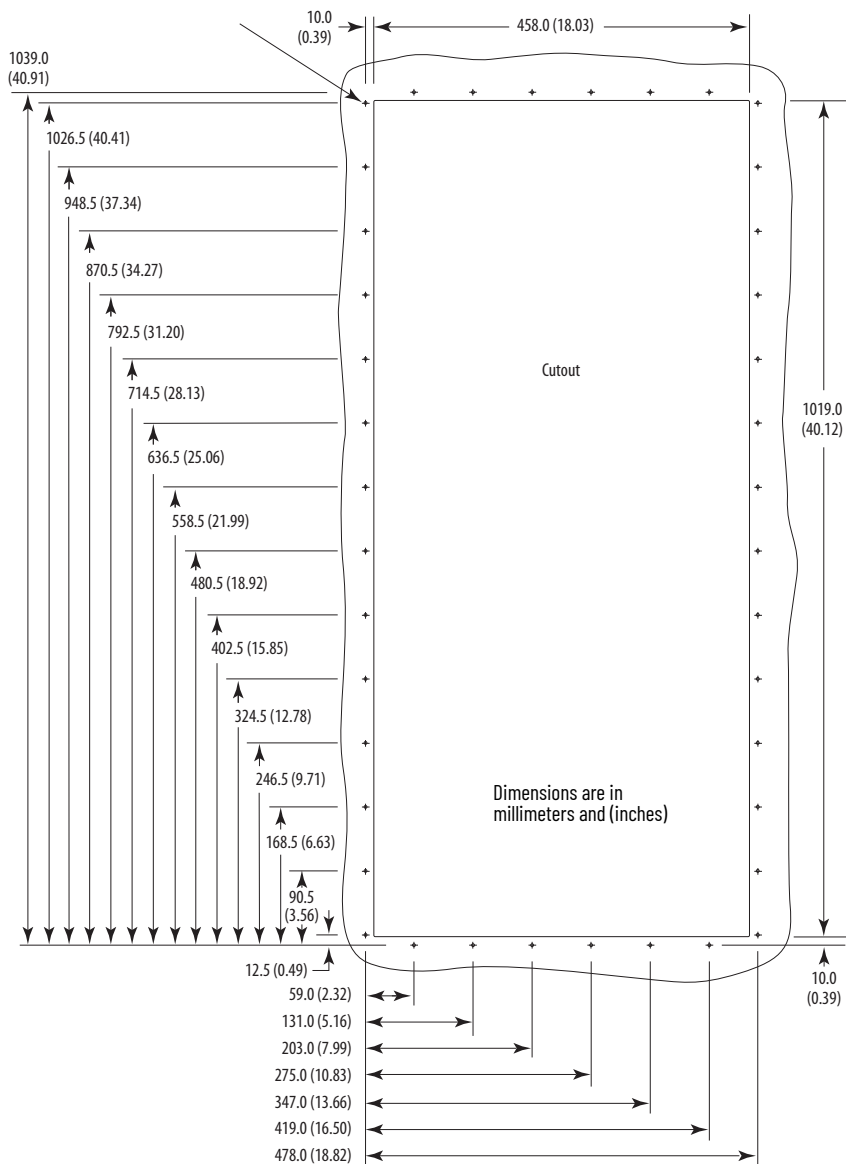


Frame	Description	Approx. Weight <sup>(1)</sup> kg (lbs.)	
		Drive	Drive and Packaging
5	Flange Mount	61.69 (136.0)	81.65 (180.0)

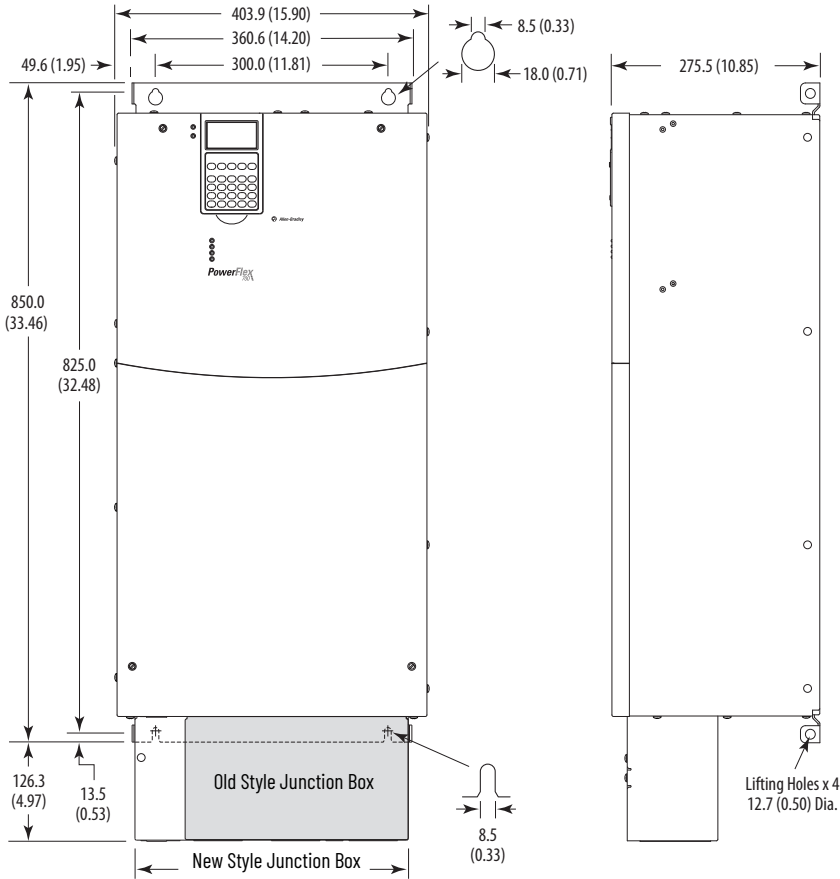
(1) Weights include HIM and Standard I/O.

### Frame 5 - Flange Mount Cutout

4.00 (0.157) Dia. x 40, minimum 14 GA.  
 (1.9) steel mounting surface.  
 Deburr Pilot Holes and Drive Cutout.



Frame 6 - IP20, NEMA / UL Type 1

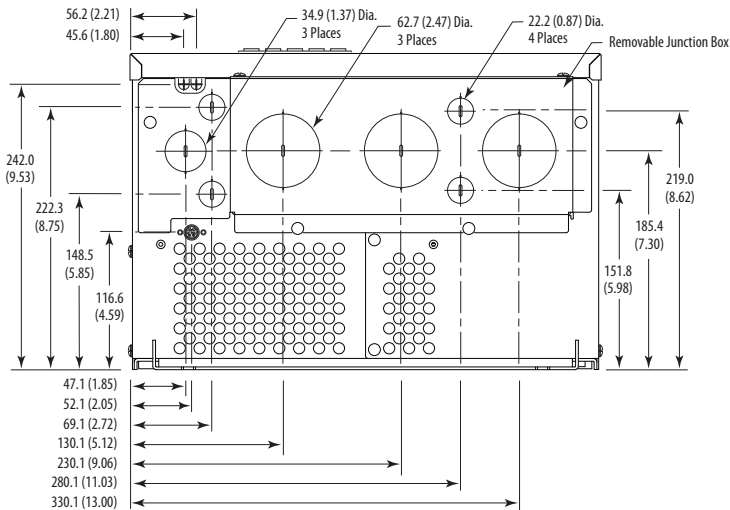


Junction Box can be removed if drive is mounted in a cabinet

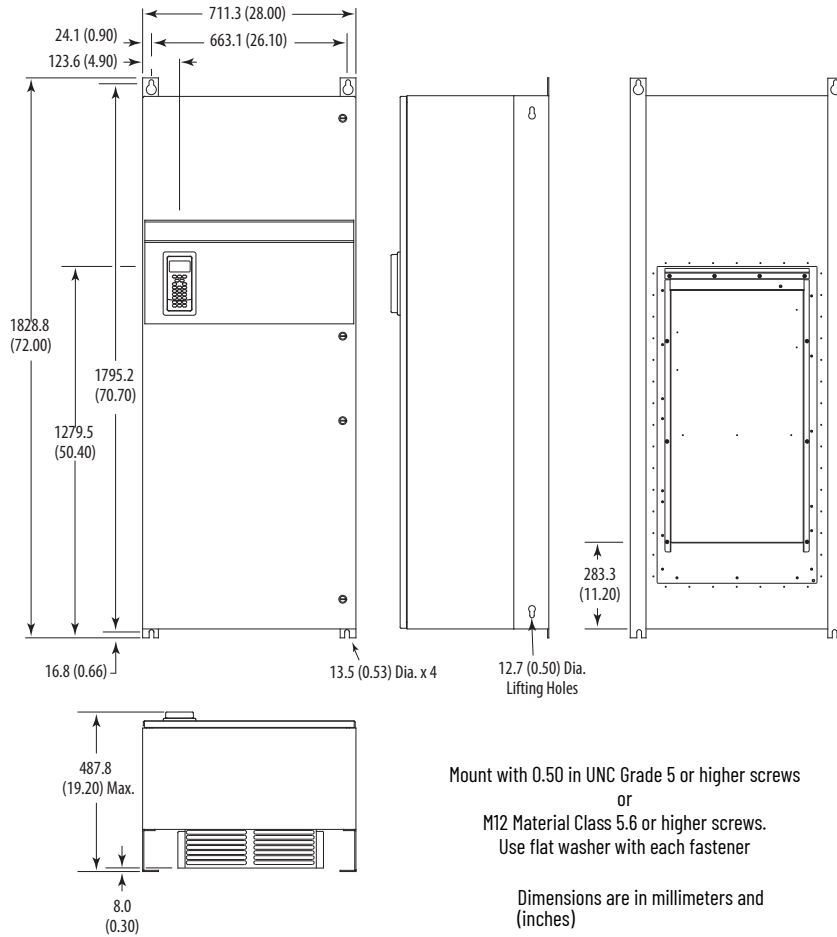
Dimensions are in millimeters and (inches)

Frame	Approx. Weight <sup>(1)</sup> kg (lbs.)	
	Drive	Drive and Packaging
6	71.44 (157.5)	100.9 (222.0)

(1) Weights include HIM and Standard I/O. Add 13.60 kg (30.0 lbs.) for: 20BB260, 20BC260 and 20BD248.



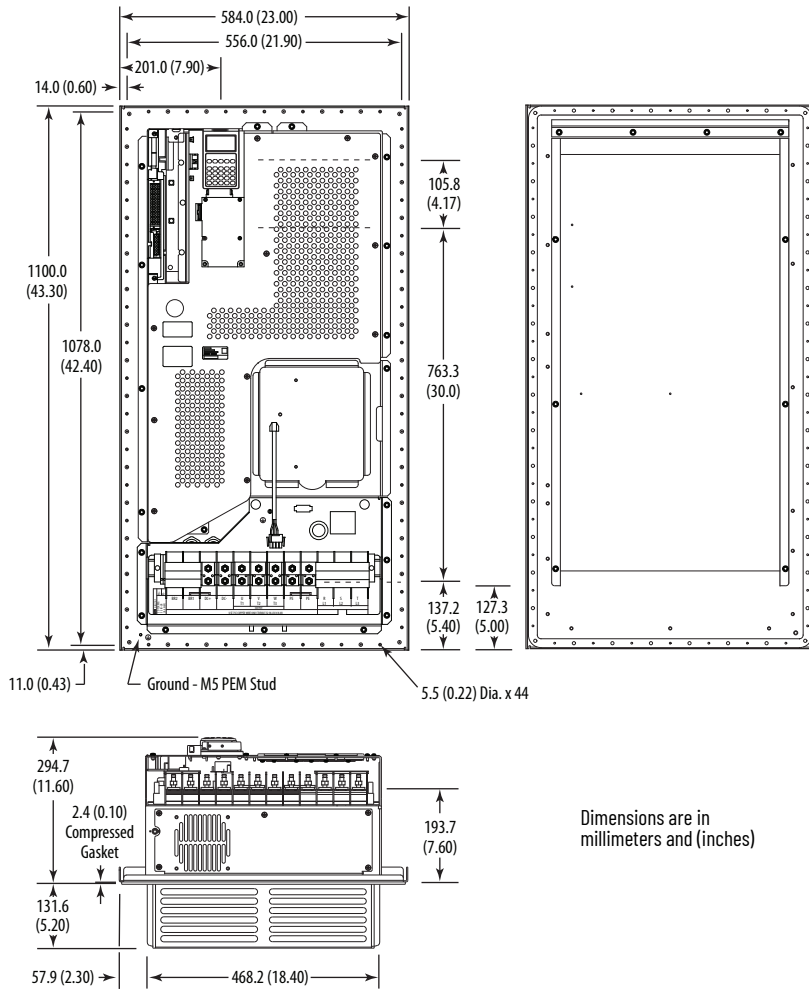
**Frame 6 - IP54, NEMA Type 12 Standalone (400...690V drives only)**



Frame	Description	Approx. Weight <sup>(1)</sup> kg (lbs.)	
		Drive	Drive and Packaging
6	Standalone	176.90 (390.0)	229.07 (505.0)

(1) Weights include HIM and Standard I/O.

Frame 6 - IP54, NEMA Type 12 Flange Mount (400...690V drives only)



Dimensions are in millimeters and (inches)

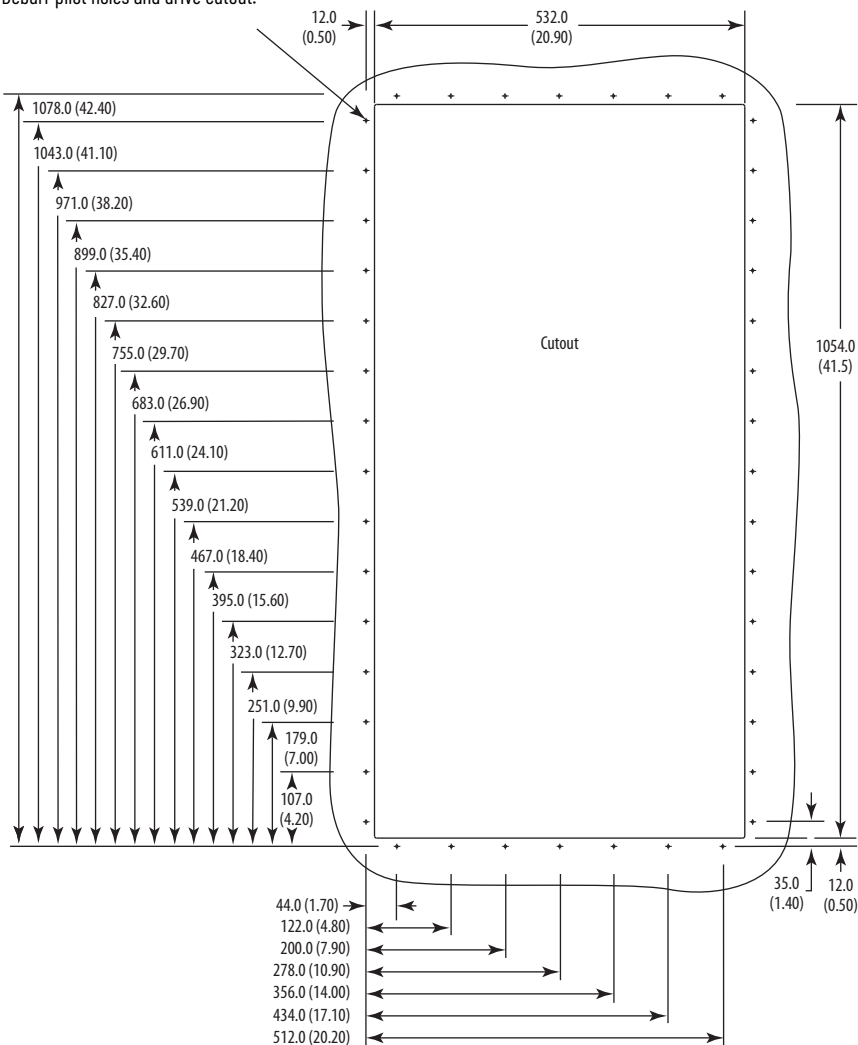
Frame	Description	Approx. Weight <sup>(1)</sup> kg (lbs.)	
		Drive	Drive and Packaging
6	Flange Mount	99.79 (220.0)	119.75 (264.0)

(1) Weights include HIM and Standard I/O.



### Frame 6 - Flange Mount Cutout

4.00 (0.157) Dia. x 44, minimum  
 14 GA. (1.9) steel mounting surface.  
 Deburr pilot holes and drive cutout.



Dimensions are in millimeters and (inches)

# Drive Options

## Human Interface Modules



Description	Cat. No.
No HIM (Blank Plate), Handheld/Local (Drive Mount)	20-HIM-A0
LCD Display, Full Numeric Keypad, Handheld/Local (Drive Mount)	20-HIM-A3
Enhanced, LCD, Full Numeric Keypad, Handheld/Local (Drive Mount)	20-HIM-A6
Remote (Panel Mount) LCD Display, Full Numeric Keypad <sup>(1)(2)</sup>	20-HIM-C3S
Enhanced, LCD, Full Numeric Keypad <sup>(1)(2)</sup>	20-HIM-C6S

(1) IP66, NEMA Type 4X/12 - For indoor use only.

(2) Includes a 1202-C30 interface cable (3 meters) for connection to drive.

## Human Interface Module Accessories

Description	Cat. No.
Bezel Kit for LCD HIMs, NEMA Type 1 <sup>(1)</sup>	20-HIM-B1
PowerFlex HIM Interface Cable, 1 m (39 in) <sup>(2)</sup>	20-HIM-H10
Comm Option Cable Kit (Male-Male)	
0.33 Meters (1.1 Feet)	1202-C03
1 Meter (3.3 Feet)	1202-C10
3 Meter (9.8 Feet)	1202-C30
9 Meter (29.5 Feet)	1202-C90
Cable Kit (Male-Female) <sup>(3)</sup>	
0.33 Meters (1.1 Feet)	1202-H03
1 Meter (3.3 Feet)	1202-H10
3 Meter (9.8 Feet)	1202-H30
9 Meter (29.5 Feet)	1202-H90
DPI Cable Kit with Connectors, Tools and 100 m (328 ft.) Cable	1202-CBL-KIT-100M
DPI Cable Connector Kit	1202-TB-KIT-SET
DPI/SCANport™ One to Two Port Splitter Cable	1203-S03

(1) Includes a 1202-C30 interface cable (3 meters) for connection to drive.

(2) Required only when HIM is used as handheld or remote.

(3) Required in addition to 20-HIM-H10 for distances up to a total maximum of 10 Meters (32.8 Feet).

*Communication Option Kits and Accessories*

<b>Description</b>	<b>Cat. No.</b>
BACnet MS/TP RS485 Communication Adapter	20-COMM-B
ControlNet Communication Adapter (Coax)	20-COMM-C
DeviceNet Communication Adapter	20-COMM-D
EtherNet/IP Communication Adapter	20-COMM-E
Dual-port EtherNet/IP Communication Adapter	20-COMM-ER
HVAC Communication Adapter (Only Modbus RTU can be used)	20-COMM-H
CANopen Communication Adapter	20-COMM-K
Modbus/TCP Communication Adapter	20-COMM-M
PROFIBUS DP Communication Adapter	20-COMM-P
ControlNet Communication Adapter (Fiber)	20-COMM-Q
RS485 DF1 Communication Adapter	20-COMM-S
External Communications Kit Power Supply	20-XCOMM-AC-PS1
DPI External Communications Kit	20-XCOMM-DC-BASE
Universal Serial Bus (USB) Converter includes 2 m USB, 20-HIM-H10 & 22-HIM-H10 Cables	1203-USB

*Feedback Options*

<b>Description</b>	<b>Cat. No.</b>
12V/5V Encoder <sup>(1)</sup>	20B-ENC-1

(1) Vector Control only.

*Other Options*

<b>Description</b>	<b>Cat. No.</b>
Removable I/O Terminal Block	SK-G9-TB1-S1
Removable Encoder Terminal Block	SK-G9-TB1-ENC1

PowerFlex 700 Control Option Kits

Control with I/O	Factory-installed Cat. Code # <sup>(1)</sup>	Cat. No.
Vector Control - 24V DC with: <sup>(2)</sup>		
60 Hz Maximum	NNAD	20B-VECT-COAD
Cascading Fan/Pump Control	NNAE	20B-VECT-COAE
Pump Off (for Pump Jack)	NNBA	20B-VECTB-COBA
Vector Control - 115V AC <sup>(2)</sup>	D <sup>(3)</sup>	20B-VECTB-DO
Vector Control - 115V AC with: <sup>(2)</sup>		
60 Hz Maximum	NNAD	20B-VECT-DOAD
Cascading Fan/Pump Control	NNAE	20B-VECT-DOAE
Pump Off (for Pump Jack)	NNBA	20B-VECT-DOBA

- (1) This code is entered at the end of the drive catalog number (positions 17...20).
- (2) Vector Control option utilizes DPI Only.
- (3) This code is entered at position 15 of the drive catalog number.

Internal Dynamic Brake Resistor Kits

These resistors have a limited duty cycle. See the PowerFlex Dynamic Braking Selection Guide to determine if an internal resistor will be sufficient for your application. An external resistor may be required.

Drive Input Voltage	Brake Resistance	Frame	Cat. No.
	Ohms		
208...240V AC	62	0	20BB-DB1-0
	62	1 (except 7.5 Hp)	20BB-DB1-1
	22	1 (7.5 Hp)	20BB-DB2-1
	22	2	20BB-DB1-2
380...600V AC	115	0	20BD-DB1-0
	115	1	20BD-DB1-1
	68	2	20BD-DB1-2

Terminators

Description <sup>(1)</sup>	Cat. No.
for use with 3.7 kW (5 Hp) & below drives	1204-TFA1
for use with 1.5 kW (2 Hp) & up drives	1204-TFB2

- (1) See Appendix A of the Wiring and Grounding Guidelines for Pulse Width Modulated (PWM) AC Drives, publication [Drives-1N001](#) for selection information.

## Reflected Wave Reduction Modules w/Common Mode Choke

Description <sup>(1)</sup>	Cat. No.
17A with Common Mode Choke	1204-RWC-17-A

(1) See Appendix A of the Wiring and Grounding Guidelines for Pulse Width Modulated (PWM) AC Drives, publication [Drives-1N001](#) for selection information.

## Isolation Transformers

For installations that have specific types of AC supply configurations or require drive protection due to AC line disturbances, isolation transformers are available.

## IP32 (NEMA/UL Type 3R)

Motor Rating kW (Hp)	240V, 60 Hz, Three-phase, 240V Primary & 240V Secondary	460V, 60 Hz, Three-phase, 460V Primary & 460V Secondary	575V, 60 Hz, Three-phase, 575V Primary & 575V Secondary
	Cat. No.	Cat. No.	Cat. No.
0.25 (0.33)	-	1321-3TW005-BB	-
0.37 (0.5)	-	1321-3TW005-BB	-
0.55 (0.75)	-	1321-3TW005-BB	-
0.75 (1.0)	-	1321-3TW005-BB	1321-3TW005-CC
1.1 (1.5)	-	1321-3TW005-BB	-
1.5 (2.0)	-	1321-3TW005-BB	1321-3TW005-CC
2.2 (3.0)	-	1321-3TW005-BB	1321-3TW005-CC
4.0 (5.0)	1321-3TW007-AA	1321-3TW007-BB	1321-3TW007-CC
5.5 (7.5)	1321-3TW011-AA	1321-3TW011-BB	1321-3TW011-CC
7.5 (10)	1321-3TW014-AA	1321-3TW014-BB	1321-3TW014-CC
11 (15)	1321-3TW020-AA	1321-3TW020-BB	1321-3TW020-CC
15 (20)	1321-3TW027-AA	1321-3TW027-BB	1321-3TW027-CC
18.5 (25)	1321-3TW034-AA	1321-3TW034-BB	1321-3TW034-CC
22 (30)	1321-3TW040-AA	1321-3TW040-BB	1321-3TW040-CC
30 (40)	1321-3TW051-AA	1321-3TW051-BB	1321-3TW051-CC
37 (50)	1321-3TH063-AA	1321-3TH063-BB	1321-3TH063-CC
45 (60)	1321-3TH075-AA	1321-3TH075-BB	1321-3TH075-CC
55 (75)	1321-3TH093-AA	1321-3TH093-BB	1321-3TH093-CC
75 (100)	-	1321-3TH118-BB	1321-3TH118-CC
90 (125)	-	1321-3TH145-BB	1321-3TH145-CC
110 (150)	-	1321-3TH175-BB	1321-3TH175-CC

Input/Output Line Reactors

For impedance matching, protection from AC line disturbances or motor protection, reactors are available for both the input and output sides of the drive.

240V, 60 Hz, Three-phase, 3% Impedance

Drive Cat. No.	Duty	Hp	Input Line Reactor <sup>(1)</sup>		Output Line Reactor <sup>(1)</sup>	
			IP00 (Open Style)	IP11 (NEMA/UL Type 1)	IP00 (Open Style)	IP11 (NEMA/UL Type 1)
			Cat. No.	Cat. No.	Cat. No.	Cat. No.
20BB2P2	Heavy Duty	0.33	1321-3R2-D	1321-3RA2-D	1321-3R2-D	1321-3RA2-D
20BB2P2	Normal Duty	0.5	1321-3R2-D	1321-3RA2-D	1321-3R2-D	1321-3RA2-D
20BB4P2	Heavy Duty	0.75	1321-3R4-A	1321-3RA4-A	1321-3R4-A	1321-3RA4-A
20BB4P2	Normal Duty	1	1321-3R4-A	1321-3RA4-A	1321-3R4-A	1321-3RA4-A
20BB6P8	Heavy Duty	1.5	1321-3R8-B	1321-3RA8-B	1321-3R8-A	1321-3RA8-A
20BB6P8	Normal Duty	2	1321-3R8-A	1321-3RA8-A	1321-3R8-A	1321-3RA8-A
20BB9P6	Heavy Duty	2	1321-3R8-A	1321-3RA8-A	1321-3R12-A	1321-3RA12-A
20BB9P6	Normal Duty	3	1321-3R12-A	1321-3RA12-A	1321-3R12-A	1321-3RA12-A
20BB015	Heavy Duty	3	1321-3R12-A	1321-3RA12-A	1321-3R18-A	1321-3RA18-A
20BB015	Normal Duty	5	1321-3R18-A	1321-3RA18-A	1321-3R18-A	1321-3RA18-A
20BB022	Heavy Duty	5	1321-3R18-A	1321-3RA18-A	1321-3R25-A	1321-3RA25-A
20BB022	Normal Duty	7.5	1321-3R25-A	1321-3RA25-A	1321-3R25-A	1321-3RA25-A
20BB028	Heavy Duty	7.5	1321-3R25-A	1321-3RA25-A	1321-3R35-A	1321-3RA35-A
20BB028	Normal Duty	10	1321-3R35-A	1321-3RA35-A	1321-3R35-A	1321-3RA35-A
20BB042	Heavy Duty	10	1321-3R35-A	1321-3RA35-A	1321-3R45-A	1321-3RA45-A
20BB042	Normal Duty	15	1321-3R45-A	1321-3RA45-A	1321-3R45-A	1321-3RA45-A
20BB052	Heavy Duty	15	1321-3R45-A	1321-3RA45-A	1321-3R55-A	1321-3RA55-A
20BB052	Normal Duty	20	1321-3R55-A	1321-3RA55-A	1321-3R55-A	1321-3RA55-A
20BB070	Heavy Duty	20	1321-3R55-A	1321-3RA55-A	1321-3R80-A	1321-3RA80-A
20BB070	Normal Duty	25	1321-3R80-A	1321-3RA80-A	1321-3R80-A	1321-3RA80-A
20BB080	Heavy Duty	25	1321-3R80-A	1321-3RA80-A	1321-3R80-A	1321-3RA80-A
20BB080	Normal Duty	30	1321-3R80-A	1321-3RA80-A	1321-3R80-A	1321-3RA80-A
20BB104	Heavy Duty	30	1321-3R80-A	1321-3RA80-A	1321-3R80-A	1321-3RA80-A
20BB104	Normal Duty	40	1321-3R100-A	1321-3RA100-A	1321-3R100-A	1321-3RA100-A
20BB130	Heavy Duty	40	1321-3R100-A	1321-3RA100-A	1321-3R100-A	1321-3RA100-A
20BB130	Normal Duty	50	1321-3R130-A	1321-3RA130-A	1321-3R130-A	1321-3RA130-A
20BB154	Heavy Duty	50	1321-3R130-A	1321-3RA130-A	1321-3R130-A	1321-3RA130-A
20BB154	Normal Duty	60	1321-3R160-A	1321-3RA160-A	1321-3R160-A	1321-3RA160-A
20BB192	Heavy Duty	60	1321-3R160-A	1321-3RA160-A	1321-3R160-A	1321-3RA160-A
20BB192	Normal Duty	75	1321-3R200-A	1321-3RA200-A	1321-3R200-A	1321-3RA200-A
20BB260	Heavy Duty	75	1321-3R200-A	1321-3RA200-A	1321-3R200-A	1321-3RA200-A
20BB260	Normal Duty	100	1321-3RB250-A	1321-3RAB250-A	1321-3RB250-A	1321-3RAB250-A

(1) Input line reactors were sized based on the NEC fundamental motor amps. Output line reactors were sized based on the VFD rated output currents.

## 240V, 60 Hz, Three-phase, 5% Impedance

Drive Cat. No.	Duty	Hp	Input Line Reactor <sup>(1)</sup>		Output Line Reactor <sup>(1)</sup>	
			IPOO (Open Style)	IPTI (NEMA/UL Type 1)	IPOO (Open Style)	IPTI (NEMA/UL Type 1)
			Cat. No.	Cat. No.	Cat. No.	Cat. No.
20BB2P2	Heavy Duty	0.33	1321-3R2-A	1321-3RA2-A	1321-3R2-A	1321-3RA2-A
20BB2P2	Normal Duty	0.5	1321-3R2-A	1321-3RA2-A	1321-3R2-A	1321-3RA2-A
20BB4P2	Heavy Duty	0.75	1321-3R4-B	1321-3RA4-B	1321-3R4-B	1321-3RA4-B
20BB4P2	Normal Duty	1	1321-3R4-B	1321-3RA4-B	1321-3R4-B	1321-3RA4-B
20BB6P8	Heavy Duty	1.5	1321-3R8-B	1321-3RA8-B	1321-3R8-B	1321-3RA8-B
20BB6P8	Normal Duty	2	1321-3R8-B	1321-3RA8-B	1321-3R8-B	1321-3RA8-B
20BB9P6	Heavy Duty	2	1321-3R8-B	1321-3RA8-B	1321-3R12-B	1321-3RA12-B
20BB9P6	Normal Duty	3	1321-3R12-B	1321-3RA12-B	1321-3R12-B	1321-3RA12-B
20BB015	Heavy Duty	3	1321-3R12-B	1321-3RA12-B	1321-3R18-B	1321-3RA18-B
20BB015	Normal Duty	5	1321-3R18-B	1321-3RA18-B	1321-3R18-B	1321-3RA18-B
20BB022	Heavy Duty	5	1321-3R18-B	1321-3RA18-B	1321-3R25-B	1321-3RA25-B
20BB022	Normal Duty	7.5	1321-3R25-B	1321-3RA25-B	1321-3R25-B	1321-3RA25-B
20BB028	Heavy Duty	7.5	1321-3R25-B	1321-3RA25-B	1321-3R35-B	1321-3RA35-B
20BB028	Normal Duty	10	1321-3R35-B	1321-3RA35-B	1321-3R35-B	1321-3RA35-B
20BB042	Heavy Duty	10	1321-3R35-B	1321-3RA35-B	1321-3R45-B	1321-3RA45-B
20BB042	Normal Duty	15	1321-3R45-B	1321-3RA45-B	1321-3R45-B	1321-3RA45-B
20BB052	Heavy Duty	15	1321-3R45-B	1321-3RA45-B	1321-3R55-B	1321-3RA55-B
20BB052	Normal Duty	20	1321-3R55-B	1321-3RA55-B	1321-3R55-B	1321-3RA55-B
20BB070	Heavy Duty	20	1321-3R55-B	1321-3RA55-B	1321-3R80-B	1321-3RA80-B
20BB070	Normal Duty	25	1321-3R80-B	1321-3RA80-B	1321-3R80-B	1321-3RA80-B
20BB080	Heavy Duty	25	1321-3R80-B	1321-3RA80-B	1321-3R80-B	1321-3RA80-B
20BB080	Normal Duty	30	1321-3R80-B	1321-3RA80-B	1321-3R80-B	1321-3RA80-B
20BB104	Heavy Duty	30	1321-3R80-B	1321-3RA80-B	1321-3R80-B	1321-3RA80-B
20BB104	Normal Duty	40	1321-3R100-B	1321-3RA100-B	1321-3R100-B	1321-3RA100-B
20BB130	Heavy Duty	40	1321-3R100-B	1321-3RA100-B	1321-3R100-B	1321-3RA100-B
20BB130	Normal Duty	50	1321-3R130-B	1321-3RA130-B	1321-3R130-B	1321-3RA130-B
20BB154	Heavy Duty	50	1321-3R130-B	1321-3RA130-B	1321-3R130-B	1321-3RA130-B
20BB154	Normal Duty	60	1321-3R160-B	1321-3RA160-B	1321-3R160-B	1321-3RA160-B
20BB192	Heavy Duty	60	1321-3R160-B	1321-3RA160-B	1321-3R160-B	1321-3RA160-B
20BB192	Normal Duty	75	1321-3R200-B	1321-3RA200-B	1321-3R200-B	1321-3RA200-B
20BB260	Heavy Duty	75	1321-3R200-B	1321-3RA200-B	1321-3R200-B	1321-3RA200-B
20BB260	Normal Duty	100	1321-3RB250-B	1321-3RAB250-B	1321-3RB250-B	1321-3RAB250-B

(1) Input line reactors were sized based on the NEC fundamental motor amps. Output line reactors were sized based on the VFD rated output currents.

480V, 60 Hz, Three-phase, 3% Impedance

Drive Cat. No.	Duty	Hp	Input Line Reactor <sup>(1)</sup>		Output Line Reactor <sup>(1)</sup>	
			IP00 (Open Style)	IP11 (NEMA/UL Type 1)	IP00 (Open Style)	IP11 (NEMA/UL Type 1)
			Cat. No.	Cat. No.	Cat. No.	Cat. No.
20BD1P1	Heavy Duty	0.33	1321-3R1-C	1321-3RA1-C	1321-3R2-B	1321-3RA2-B
20BD1P1	Normal Duty	0.5	1321-3R1-C	1321-3RA1-C	1321-3R2-B	1321-3RA2-B
20BD2P1	Heavy Duty	0.75	1321-3R2-A	1321-3RA2-A	1321-3R2-A	1321-3RA2-A
20BD2P1	Normal Duty	1	1321-3R2-A	1321-3RA2-A	1321-3R2-A	1321-3RA2-A
20BD3P4	Heavy Duty	1.5	1321-3R4-C	1321-3RA4-C	1321-3R4-B	1321-3RA4-B
20BD3P4	Normal Duty	2	1321-3R4-B	1321-3RA4-B	1321-3R4-B	1321-3RA4-B
20BD5P0	Heavy Duty	2	1321-3R4-B	1321-3RA4-B	1321-3R8-C	1321-3RA8-C
20BD5P0	Normal Duty	3	1321-3R8-C	1321-3RA8-C	1321-3R8-C	1321-3RA8-C
20BD8P0	Heavy Duty	3	1321-3R8-C	1321-3RA8-C	1321-3R8-B	1321-3RA8-B
20BD8P0	Normal Duty	5	1321-3R8-B	1321-3RA8-B	1321-3R8-B	1321-3RA8-B
20BD011	Heavy Duty	5	1321-3R8-B	1321-3RA8-B	1321-3R12-B	1321-3RA12-B
20BD011	Normal Duty	7.5	1321-3R12-B	1321-3RA12-B	1321-3R12-B	1321-3RA12-B
20BD014	Heavy Duty	7.5	1321-3R12-B	1321-3RA12-B	1321-3R18-B	1321-3RA18-B
20BD014	Normal Duty	10	1321-3R18-B	1321-3RA18-B	1321-3R18-B	1321-3RA18-B
20BD022	Heavy Duty	10	1321-3R18-B	1321-3RA18-B	1321-3R25-B	1321-3RA25-B
20BD022	Normal Duty	15	1321-3R25-B	1321-3RA25-B	1321-3R25-B	1321-3RA25-B
20BD027	Heavy Duty	15	1321-3R25-B	1321-3RA25-B	1321-3R25-B	1321-3RA25-B
20BD027	Normal Duty	20	1321-3R35-B	1321-3RA35-B	1321-3R25-B	1321-3RA25-B
20BD034	Heavy Duty	20	1321-3R35-B	1321-3RA35-B	1321-3R35-B	1321-3RA35-B
20BD034	Normal Duty	25	1321-3R35-B	1321-3RA35-B	1321-3R35-B	1321-3RA35-B
20BD040	Heavy Duty	25	1321-3R35-B	1321-3RA35-B	1321-3R45-B	1321-3RA45-B
20BD040	Normal Duty	30	1321-3R45-B	1321-3RA45-B	1321-3R45-B	1321-3RA45-B
20BD052	Heavy Duty	30	1321-3R45-B	1321-3RA45-B	1321-3R55-B	1321-3RA55-B
20BD052	Normal Duty	40	1321-3R55-B	1321-3RA55-B	1321-3R55-B	1321-3RA55-B
20BD065	Heavy Duty	40	1321-3R55-B	1321-3RA55-B	1321-3R80-B	1321-3RA80-B
20BD065	Normal Duty	50	1321-3R80-B	1321-3RA80-B	1321-3R80-B	1321-3RA80-B
20BD077	Heavy Duty	50	1321-3R80-B	1321-3RA80-B	1321-3R80-B	1321-3RA80-B
20BD077	Normal Duty	60	1321-3R80-B	1321-3RA80-B	1321-3R80-B	1321-3RA80-B
20BD096	Heavy Duty	60	1321-3R80-B	1321-3RA80-B	1321-3R80-B	1321-3RA80-B
20BD096	Normal Duty	75	1321-3R100-B	1321-3RA100-B	1321-3R100-B	1321-3RA100-B
20BD125	Heavy Duty	75	1321-3R100-B	1321-3RA100-B	1321-3R100-B	1321-3RA100-B
20BD125	Normal Duty	100	1321-3R130-B	1321-3RA130-B	1321-3R130-B	1321-3RA130-B
20BD156	Heavy Duty	100	1321-3R130-B	1321-3RA130-B	1321-3R130-B	1321-3RA130-B
20BD156	Normal Duty	125	1321-3R160-B	1321-3RA160-B	1321-3R160-B	1321-3RA160-B
20BD180	Heavy Duty	125	1321-3R160-B	1321-3RA160-B	1321-3R160-B	1321-3RA160-B
20BD180	Normal Duty	150	1321-3R200-B	1321-3RA200-B	1321-3R200-C	1321-3RA200-C
20BD248	Heavy Duty	150	1321-3R200-B	1321-3RA200-B	1321-3R200-C	1321-3RA200-C
20BD248	Normal Duty	200	1321-3RB250-B	1321-3RAB250-B	1321-3RB250-B	1321-3RAB250-B

(1) Input line reactors were sized based on the NEC fundamental motor amps. Output line reactors were sized based on the VFD rated output currents.



## 480V, 60 Hz, Three-phase, 5% Impedance

Drive Cat. No.	Duty	Hp	Input Line Reactor <sup>(1)</sup>		Output Line Reactor <sup>(1)</sup>	
			IP00 (Open Style)	IP11 (NEMA/UL Type 1)	IP00 (Open Style)	IP11 (NEMA/UL Type 1)
			Cat. No.	Cat. No.	Cat. No.	Cat. No.
20BD1P1	Heavy Duty	0.33	1321-3R1-B	1321-3RA1-B	1321-3R2-C	1321-3RA2-C
20BD1P1	Normal Duty	0.5	1321-3R1-B	1321-3RA1-B	1321-3R2-C	1321-3RA2-C
20BD2P1	Heavy Duty	0.75	1321-3R2-C	1321-3RA2-C	1321-3R2-B	1321-3RA2-B
20BD2P1	Normal Duty	1	1321-3R2-B	1321-3RA2-B	1321-3R2-B	1321-3RA2-B
20BD3P4	Heavy Duty	1.5	1321-3R4-D	1321-3RA4-D	1321-3R4-D	1321-3RA4-D
20BD3P4	Normal Duty	2	1321-3R4-D	1321-3RA4-D	1321-3R4-D	1321-3RA4-D
20BD5P0	Heavy Duty	2	1321-3R4-D	1321-3RA4-D	1321-3R8-D	1321-3RA8-D
20BD5P0	Normal Duty	3	1321-3R8-D	1321-3RA8-D	1321-3R8-D	1321-3RA8-D
20BD8P0	Heavy Duty	3	1321-3R8-D	1321-3RA8-D	1321-3R8-C	1321-3RA8-C
20BD8P0	Normal Duty	5	1321-3R8-C	1321-3RA8-C	1321-3R8-C	1321-3RA8-C
20BD011	Heavy Duty	5	1321-3R8-C	1321-3RA8-C	1321-3R12-C	1321-3RA12-C
20BD011	Normal Duty	7.5	1321-3R12-C	1321-3RA12-C	1321-3R12-C	1321-3RA12-C
20BD014	Heavy Duty	7.5	1321-3R12-C	1321-3RA12-C	1321-3R18-C	1321-3RA18-C
20BD014	Normal Duty	10	1321-3R18-C	1321-3RA18-C	1321-3R18-C	1321-3RA18-C
20BD022	Heavy Duty	10	1321-3R18-C	1321-3RA18-C	1321-3R25-C	1321-3RA25-C
20BD022	Normal Duty	15	1321-3R25-C	1321-3RA25-C	1321-3R25-C	1321-3RA25-C
20BD027	Heavy Duty	15	1321-3R25-C	1321-3RA25-C	1321-3R25-C	1321-3RA25-C
20BD027	Normal Duty	20	1321-3R35-C <sup>(2)</sup>	1321-3RA35-C <sup>(2)</sup>	1321-3R25-C	1321-3RA25-C
20BD034	Heavy Duty	20	1321-3R35-C <sup>(2)</sup>	1321-3RA35-C <sup>(2)</sup>	1321-3R35-C	1321-3RA35-C
20BD034	Normal Duty	25	1321-3R35-C	1321-3RA35-C	1321-3R35-C	1321-3RA35-C
20BD040	Heavy Duty	25	1321-3R35-C	1321-3RA35-C	1321-3R45-C	1321-3RA45-C
20BD040	Normal Duty	30	1321-3R45-C	1321-3RA45-C	1321-3R45-C	1321-3RA45-C
20BD052	Heavy Duty	30	1321-3R45-C	1321-3RA45-C	1321-3R55-C	1321-3RA55-C
20BD052	Normal Duty	40	1321-3R55-C	1321-3RA55-C	1321-3R55-C	1321-3RA55-C
20BD065	Heavy Duty	40	1321-3R55-C	1321-3RA55-C	1321-3R80-C	1321-3RA80-C
20BD065	Normal Duty	50	1321-3R80-C	1321-3RA80-C	1321-3R80-C	1321-3RA80-C
20BD077	Heavy Duty	50	1321-3R80-C	1321-3RA80-C	1321-3R80-C	1321-3RA80-C
20BD077	Normal Duty	60	1321-3R80-C	1321-3RA80-C	1321-3R80-C	1321-3RA80-C
20BD096	Heavy Duty	60	1321-3R80-C	1321-3RA80-C	1321-3R80-C	1321-3RA80-C
20BD096	Normal Duty	75	1321-3R100-C	1321-3RA100-C	1321-3R100-C	1321-3RA100-C
20BD125	Heavy Duty	75	1321-3R100-C	1321-3RA100-C	1321-3R100-C	1321-3RA100-C
20BD125	Normal Duty	100	1321-3R130-C	1321-3RA130-C	1321-3R130-C	1321-3RA130-C
20BD156	Heavy Duty	100	1321-3R130-C	1321-3RA130-C	1321-3R130-C	1321-3RA130-C
20BD156	Normal Duty	125	1321-3R160-C	1321-3RA160-C	1321-3R160-C	1321-3RA160-C
20BD180	Heavy Duty	125	1321-3R160-C	1321-3RA160-C	1321-3R160-C	1321-3RA160-C
20BD180	Normal Duty	150	1321-3R200-C	1321-3RA200-C	1321-3R200-C <sup>(2)</sup>	1321-3RA200-C <sup>(2)</sup>
20BD248	Heavy Duty	150	1321-3R200-C	1321-3RA200-C	1321-3R200-C <sup>(2)</sup>	1321-3RA200-C <sup>(2)</sup>
20BD248	Normal Duty	200	1321-3RB250-C	1321-3RAB250-C	1321-3RB250-C	1321-3RAB250-C

(1) Input line reactors were sized based on the NEC fundamental motor amps. Output line reactors were sized based on the VFD rated output currents.

(2) 4% impedance.

600V, 60 Hz, Three-phase, 3% Impedance

Drive Cat. No.	Duty	Hp	Input Line Reactor <sup>(1)</sup>		Output Line Reactor <sup>(1)</sup>	
			IP00 (Open Style)	IP11 (NEMA/UL Type 1)	IP00 (Open Style)	IP11 (NEMA/UL Type 1)
			Cat. No.	Cat. No.	Cat. No.	Cat. No.
20BE1P7	Heavy Duty	0.5	1321-3R1-C	1321-3RA1-C	1321-3R2-B	1321-3RA2-B
20BE1P7	Normal Duty	1	1321-3R2-B	1321-3RA2-B	1321-3R2-B	1321-3RA2-B
20BE2P7	Heavy Duty	1	1321-3R2-B	1321-3RA2-B	1321-3R4-D	1321-3RA4-D
20BE2P7	Normal Duty	2	1321-3R4-D	1321-3RA4-D	1321-3R4-D	1321-3RA4-D
20BE3P9	Heavy Duty	2	1321-3R4-D	1321-3RA4-D	1321-3R4-C	1321-3RA4-C
20BE3P9	Normal Duty	3	1321-3R4-C	1321-3RA4-C	1321-3R4-C	1321-3RA4-C
20BE6P1	Heavy Duty	3	1321-3R4-C	1321-3RA4-C	1321-3R8-C	1321-3RA8-C
20BE6P1	Normal Duty	5	1321-3R8-C	1321-3RA8-C	1321-3R8-C	1321-3RA8-C
20BE9P0	Heavy Duty	5	1321-3R8-C	1321-3RA8-C	1321-3R12-C	1321-3RA12-C
20BE9P0	Normal Duty	7.5	1321-3R12-C	1321-3RA12-C	1321-3R12-C	1321-3RA12-C
20BE011	Heavy Duty	7.5	1321-3R12-C	1321-3RA12-C	1321-3R12-B	1321-3RA12-B
20BE011	Normal Duty	10	1321-3R12-B	1321-3RA12-B	1321-3R12-B	1321-3RA12-B
20BE017	Heavy Duty	10	1321-3R12-B	1321-3RA12-B	1321-3R18-B	1321-3RA18-B
20BE017	Normal Duty	15	1321-3R18-B	1321-3RA18-B	1321-3R18-B	1321-3RA18-B
20BE022	Heavy Duty	15	1321-3R18-B	1321-3RA18-B	1321-3R25-B	1321-3RA25-B
20BE022	Normal Duty	20	1321-3R25-B	1321-3RA25-B	1321-3R25-B	1321-3RA25-B
20BE027	Heavy Duty	20	1321-3R25-B	1321-3RA25-B	1321-3R35-C	1321-3RA35-C
20BE027	Normal Duty	25	1321-3R35-C	1321-3RA35-C	1321-3R35-C	1321-3RA35-C
20BE032	Heavy Duty	25	1321-3R35-C	1321-3RA35-C	1321-3R35-B	1321-3RA35-B
20BE032	Normal Duty	30	1321-3R35-B	1321-3RA35-B	1321-3R35-B	1321-3RA35-B
20BE041	Heavy Duty	30	1321-3R35-B	1321-3RA35-B	1321-3R45-B	1321-3RA45-B
20BE041	Normal Duty	40	1321-3R45-B	1321-3RA45-B	1321-3R45-B	1321-3RA45-B
20BE052	Heavy Duty	40	1321-3R45-B	1321-3RA45-B	1321-3R55-B	1321-3RA55-B
20BE052	Normal Duty	50	1321-3R55-B	1321-3RA55-B	1321-3R55-B	1321-3RA55-B
20BE062	Heavy Duty	50	1321-3R55-B	1321-3RA55-B	1321-3R80-B	1321-3RA80-B
20BE062	Normal Duty	60	1321-3R80-B	1321-3RA80-B	1321-3R80-B	1321-3RA80-B
20BE077	Heavy Duty	60	1321-3R80-B	1321-3RA80-B	1321-3R80-B	1321-3RA80-B
20BE077	Normal Duty	75	1321-3R80-B	1321-3RA80-B	1321-3R80-B	1321-3RA80-B
20BE099	Heavy Duty	75	1321-3R80-B	1321-3RA80-B	1321-3R80-B	1321-3RA80-B
20BE099	Normal Duty	100	1321-3R100-B	1321-3RA100-B	1321-3R100-B	1321-3RA100-B
20BE125	Heavy Duty	100	1321-3R100-B	1321-3RA100-B	1321-3R100-B	1321-3RA100-B
20BE125	Normal Duty	125	1321-3R130-B	1321-3RA130-B	1321-3R130-B	1321-3RA130-B
20BE144	Heavy Duty	125	1321-3R130-B	1321-3RA130-B	1321-3R130-B	1321-3RA130-B
20BE144	Normal Duty	150	1321-3R160-B	1321-3RA160-B	1321-3R160-B	1321-3RA160-B

(1) Input line reactors were sized based on the NEC fundamental motor amps. Output line reactors were sized based on the VFD rated output currents.

## 600V, 60 Hz, Three-phase, 5% Impedance

Drive Cat. No.	Duty	Hp	Input Line Reactor <sup>(1)</sup>		Output Line Reactor <sup>(1)</sup>	
			IPOO (Open Style)	IPTI (NEMA/UL Type 1)	IPOO (Open Style)	IPTI (NEMA/UL Type 1)
			Cat. No.	Cat. No.	Cat. No.	Cat. No.
20BE1P7	Heavy Duty	0.5	1321-3R1-B	1321-3RA1-B	1321-3R2-C	1321-3RA2-C
20BE1P7	Normal Duty	1	1321-3R2-C	1321-3RA2-C	1321-3R2-C	1321-3RA2-C
20BE2P7	Heavy Duty	1	1321-3R2-C	1321-3RA2-C	1321-3R4-D <sup>(2)</sup>	1321-3RA4-D <sup>(2)</sup>
20BE2P7	Normal Duty	2	1321-3R4-D <sup>(2)</sup>	1321-3RA4-D <sup>(2)</sup>	1321-3R4-D <sup>(2)</sup>	1321-3RA4-D <sup>(2)</sup>
20BE3P9	Heavy Duty	2	1321-3R4-D <sup>(2)</sup>	1321-3RA4-D <sup>(2)</sup>	1321-3R4-D	1321-3RA4-D
20BE3P9	Normal Duty	3	1321-3R4-D	1321-3RA4-D	1321-3R4-D	1321-3RA4-D
20BE6P1	Heavy Duty	3	1321-3R4-D	1321-3RA4-D	1321-3R8-D	1321-3RA8-D
20BE6P1	Normal Duty	5	1321-3R8-D	1321-3RA8-D	1321-3R8-D	1321-3RA8-D
20BE9P0	Heavy Duty	5	1321-3R8-D	1321-3RA8-D	1321-3R12-C <sup>(2)</sup>	1321-3RA12-C <sup>(2)</sup>
20BE9P0	Normal Duty	7.5	1321-3R12-C <sup>(2)</sup>	1321-3RA12-C <sup>(2)</sup>	1321-3R12-C <sup>(2)</sup>	1321-3RA12-C <sup>(2)</sup>
20BE011	Heavy Duty	7.5	1321-3R12-C <sup>(2)</sup>	1321-3RA12-C <sup>(2)</sup>	1321-3R12-C	1321-3RA12-C
20BE011	Normal Duty	10	1321-3R12-C	1321-3RA12-C	1321-3R12-C	1321-3RA12-C
20BE017	Heavy Duty	10	1321-3R12-C	1321-3RA12-C	1321-3R18-C	1321-3RA18-C
20BE017	Normal Duty	15	1321-3R18-C	1321-3RA18-C	1321-3R18-C	1321-3RA18-C
20BE022	Heavy Duty	15	1321-3R18-C	1321-3RA18-C	1321-3R25-C <sup>(2)</sup>	1321-3RA25-C <sup>(2)</sup>
20BE022	Normal Duty	20	1321-3R25-C <sup>(2)</sup>	1321-3RA25-C <sup>(2)</sup>	1321-3R25-C <sup>(2)</sup>	1321-3RA25-C <sup>(2)</sup>
20BE027	Heavy Duty	20	1321-3R25-C <sup>(2)</sup>	1321-3RA25-C <sup>(2)</sup>	1321-3R35-C <sup>(2)</sup>	1321-3RA35-C <sup>(2)</sup>
20BE027	Normal Duty	25	1321-3R35-C <sup>(2)</sup>	1321-3RA35-C <sup>(2)</sup>	1321-3R35-C <sup>(2)</sup>	1321-3RA35-C <sup>(2)</sup>
20BE032	Heavy Duty	25	1321-3R35-C <sup>(2)</sup>	1321-3RA35-C <sup>(2)</sup>	1321-3R35-C <sup>(2)</sup>	1321-3RA35-C <sup>(2)</sup>
20BE032	Normal Duty	30	1321-3R35-C <sup>(2)</sup>	1321-3RA35-C <sup>(2)</sup>	1321-3R35-C <sup>(2)</sup>	1321-3RA35-C <sup>(2)</sup>
20BE041	Heavy Duty	30	1321-3R35-C <sup>(2)</sup>	1321-3RA35-C <sup>(2)</sup>	1321-3R45-C	1321-3RA45-C
20BE041	Normal Duty	40	1321-3R45-C	1321-3RA45-C	1321-3R45-C	1321-3RA45-C
20BE052	Heavy Duty	40	1321-3R45-C	1321-3RA45-C	1321-3R55-C	1321-3RA55-C
20BE052	Normal Duty	50	1321-3R55-C	1321-3RA55-C	1321-3R55-C	1321-3RA55-C
20BE062	Heavy Duty	50	1321-3R55-C	1321-3RA55-C	1321-3R80-C	1321-3RA80-C
20BE062	Normal Duty	60	1321-3R80-C	1321-3RA80-C	1321-3R80-C	1321-3RA80-C
20BE077	Heavy Duty	60	1321-3R80-C	1321-3RA80-C	1321-3R80-C	1321-3RA80-C
20BE077	Normal Duty	75	1321-3R80-C	1321-3RA80-C	1321-3R80-C	1321-3RA80-C
20BE099	Heavy Duty	75	1321-3R80-C	1321-3RA80-C	1321-3R80-C	1321-3RA80-C
20BE099	Normal Duty	100	1321-3R100-C	1321-3RA100-C	1321-3R100-C	1321-3RA100-C
20BE125	Heavy Duty	100	1321-3R100-C	1321-3RA100-C	1321-3R100-C	1321-3RA100-C
20BE125	Normal Duty	125	1321-3R130-C <sup>(2)</sup>	1321-3RA130-C <sup>(2)</sup>	1321-3R130-C <sup>(2)</sup>	1321-3RA130-C <sup>(2)</sup>
20BE144	Heavy Duty	125	1321-3R130-C <sup>(2)</sup>	1321-3RA130-C <sup>(2)</sup>	1321-3R130-C <sup>(2)</sup>	1321-3RA130-C <sup>(2)</sup>
20BE144	Normal Duty	150	1321-3R160-C <sup>(2)</sup>	1321-3RA160-C <sup>(2)</sup>	1321-3R160-C <sup>(2)</sup>	1321-3RA160-C <sup>(2)</sup>

(1) Input line reactors were sized based on the NEC fundamental motor amps. Output line reactors were sized based on the VFD rated output currents.

(2) 4% impedance.

**Notes:**

## Additional Resources

These documents contain additional information concerning related products from Rockwell Automation. You can view or download publications at [rok.auto/literature](http://rok.auto/literature).

Resource	Description
Motor Protection Circuit Breaker and Motor Circuit Protector Specifications, publication <a href="#">140-TD005</a>	Provides product selection and specification information for Bulletin 140MP/MT and 140M-F motor protection circuit breakers and motor circuit protectors.
PowerFlex 700 Adjustable Frequency AC Drive Installation Instructions – Frames 0...6, publication <a href="#">20B-IN019</a>	Provides detailed information about installation and startup.
PowerFlex 700 Adjustable Frequency AC Drive Installation Instructions – Frames 7...10 <sup>(1)</sup> , publication <a href="#">20B-IN014</a>	
PowerFlex 700 Standard Control User Manual, publication <a href="#">20B-UM001</a>	Provides detailed information on the following: <ul style="list-style-type: none"> <li>Parameters and programming</li> <li>Faults, alarms, and troubleshooting</li> </ul>
PowerFlex 700 Vector Control User Manual (v4.001 and up), publication <a href="#">20B-UM002</a>	
PowerFlex 70 and PowerFlex 700 Reference Manual, publication <a href="#">PFLEX-RM001</a>	Provides detailed application-specific information for programming and configuring the PowerFlex 700 drive.
PowerFlex 70 Enhanced Control and PowerFlex 700 Vector Control Reference Manual, publication <a href="#">PFLEX-RM004</a>	
Wiring and Grounding Guidelines for Pulse Width Modulated (PWM) AC Drives, publication <a href="#">DRIVES-IN001</a>	Provides basic information that is needed to properly wire and ground PWM AC drives.
Communication adapter options, publications 20COMM-UM0xx, <a href="http://rok.auto/literature/">rok.auto/literature/</a>	Provides information about the adapters and using them with PowerFlex 7-Class (Architecture-Class) drives.
Industry Installation Guidelines for Pulse Width Modulated (PWM) AC Drives Application Technique, publication <a href="#">DRIVES-AT003</a>	Provides provide basic information for different enclosure systems and environmental/location considerations (helps protect against environmental contaminants), and power and grounding considerations that are needed to properly install a Pulse Width Modulated (PWM) AC drive.
Safety Guidelines for the Application, Installation and Maintenance of Solid State Control, publication <a href="#">SGI-1.1</a>	Provides general guidelines for the application, installation, and maintenance of solid-state control.
Preventive Maintenance of Industrial Control and Drive System Equipment, publication <a href="#">DRIVES-TD001</a>	Provides a guide to performing preventive maintenance.
Guarding Against Electrostatic Damage, publication <a href="#">8000-4.5.2</a>	Provides practices for guarding against electrostatic damage (ESD).
Industrial Automation Wiring and Grounding Guidelines, publication <a href="#">1770-4.1</a>	Provides general guidelines for installing a Rockwell Automation industrial system.
Product Certifications website, <a href="http://rok.auto/certifications">rok.auto/certifications</a>	Provides declarations of conformity, certificates, and other certification details.

<sup>(1)</sup> Frames 7...10 are no longer available for sale.

# Rockwell Automation Support

Use these resources to access support information.

<b>Technical Support Center</b>	Find help with how-to videos, FAQs, chat, user forums, Knowledgebase, and product notification updates.	<a href="http://rok.auto/support">rok.auto/support</a>
<b>Local Technical Support Phone Numbers</b>	Locate the telephone number for your country.	<a href="http://rok.auto/phonesupport">rok.auto/phonesupport</a>
<b>Technical Documentation Center</b>	Quickly access and download technical specifications, installation instructions, and user manuals.	<a href="http://rok.auto/techdocs">rok.auto/techdocs</a>
<b>Literature Library</b>	Find installation instructions, manuals, brochures, and technical data publications.	<a href="http://rok.auto/literature">rok.auto/literature</a>
<b>Product Compatibility and Download Center (PCDC)</b>	Download firmware, associated files (such as AOP, EDS, and DTM), and access product release notes.	<a href="http://rok.auto/pcdc">rok.auto/pcdc</a>

## Documentation Feedback

Your comments help us serve your documentation needs better. If you have any suggestions on how to improve our content, complete the form at [rok.auto/docfeedback](http://rok.auto/docfeedback).

Allen-Bradley, Connected Components Workbench, DPI, expanding human possibility, Micro800, PanelView, PowerFlex, Rockwell Automation, SCANport, TorqProve, and Zero-Stacking Drive are trademarks of Rockwell Automation, Inc.





ControlNet, DeviceNet, and EtherNet/IP are trademarks of ODVA, Inc.

Microsoft is a trademark of Microsoft Corporation.

Trademarks not belonging to Rockwell Automation are property of their respective companies.

Rockwell Automation maintains current product environmental compliance information on its website at [rok.auto/pec](http://rok.auto/pec).

Rockwell Otomasyon Ticaret A.Ş. Kar Plaza İş Merkezi E Blok Kat:6 34752, İçerenköy, İstanbul, Tel: +90 (216) 5698400 EEE Yönetmeliğine Uygundur

Connect with us.    

[rockwellautomation.com](http://rockwellautomation.com) — expanding **human possibility**<sup>®</sup>

AMERICAS: Rockwell Automation, 1201 South Second Street, Milwaukee, WI 53204-2496 USA, Tel: (1) 414.382.2000, Fax: (1) 414.382.4444

EUROPE/MIDDLE EAST/AFRICA: Rockwell Automation NV, Pegasus Park, De Kleetlaan 12a, 1831 Diegem, Belgium, Tel: (32) 2663 0600, Fax: (32) 2 663 0640

ASIA PACIFIC: Rockwell Automation SEA Pte Ltd, 2 Corporation Road, #04-05, Main Lobby, Corporation Place, Singapore 618494, Tel: (65) 6510 6608, FAX: (65) 6510 6699

UNITED KINGDOM: Rockwell Automation Ltd., Pitfield, Kiln Farm, Milton Keynes, MK11 3DR, United Kingdom, Tel: (44)(1908) 838-800, Fax: (44)(1908) 261-917

Publication 20B-TD001M-EN-P - September 2023

Supersedes Publication 20B-TD001L-EN-P - December 2022

Copyright © 2023 Rockwell Automation, Inc. All rights reserved. Printed in the U.S.A.