








Breaker VLmax. FLEX Operator J L M-FR



Model	
Product brand name	SETRON
Accessories	
accessories	Accessories
Net weight	0.93 kg
Certificates	

General Product Approval	EMC	Declaration of Conformity	Test Certificates	Shipping Approval
Miscellaneous	 UL	 C-Tick	 EG-Konf.	Special Test Certificate 

Shipping Approval	other
 PRS	 RINA
 RMRS	Miscellaneous
	Environmental Confirmations
	Confirmation

other
Manufacturer Declaration

Further information

Information- and Downloadcenter (Catalogs, Brochures,...)

<http://www.siemens.com/lowvoltage/catalogs>

Industry Mall (Online ordering system)

<https://mall.industry.siemens.com/mall/en/en/Catalog/product?mlfb=3VL9600-3JN01>

Service&Support (Manuals, Certificates, Characteristics, FAQs,...)

<https://support.industry.siemens.com/cs/ww/en/ps/3VL9600-3JN01>

Image database (product images, 2D dimension drawings, 3D models, device circuit diagrams, ...)

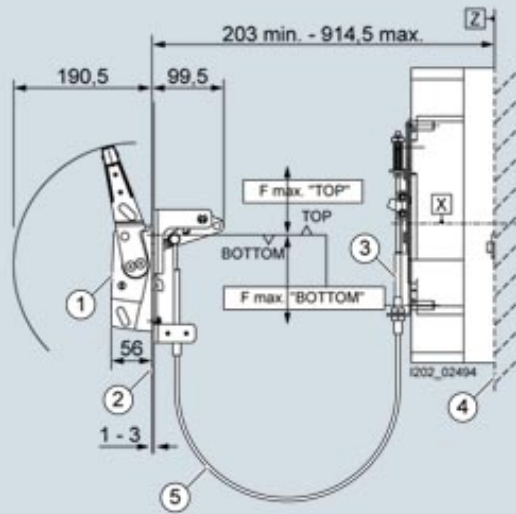
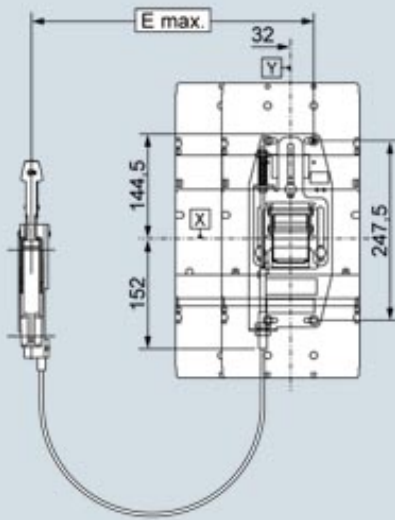
http://www.automation.siemens.com/bilddb/cax_en.aspx?mlfb=3VL9600-3JN01

CAX-Online-Generator

<http://www.siemens.com/cax>

Tender specifications

<http://www.siemens.com/specifications>



- ① Metal handle
- ② Handle mounting surface
- ③ Max Flex operating mechanism
- ④ Installation level
- ⑤ Bowden wire

Cabinet depth mm	E max.		Cabinet depth mm	F max.			
	3VL9600-3JQ31 length 900 mm	3VL9600-3JQ41 length 1200 mm		3VL9600-3JQ31 Length 900 mm		3VL9600-3JQ41 Length 1200 mm	
				TOP	BOTTOM	TOP	BOTTOM
203	10,7	22,7	203	106,5	393,5	406,5	686
254	10,5	22,6	254	132	381	419	686
305	10	22,3	305	152,5	373,5	432	680
406,5	7,9	21,3	406,5	114,5	360,5	419	673
457	6,1	20,5	457	86,5	325	406,5	647,5
508	3,2	19,6	508	15	254	393,5	622,5
609,5	--	16,9	609,5	--	--	355,5	571,5
762	--	9,9	762	--	--	221	442