

SIRIUS POSITION SWITCH METAL ENCLOSURE 40MM TO EN50041 DEVICE CONNECTION 1X (M20X1.5) 1NO/ 1NC SNAP-ACTION CONTACTS FORK LEVER ACTUATOR W. METAL LEVER AND PLASTIC ROLLERS 19MM



|   |                               |
|---|-------------------------------|
| <b>Product designation</b>  | standard position switch      |
| <b>Manufacturer's article number</b>  |                               |
| <ul style="list-style-type: none"> <li>• of the supplied basic switch</li> </ul>                        | <a href="#">3SE5112-0CA00</a> |
| <ul style="list-style-type: none"> <li>• of the supplied actuator head for position switches</li> </ul> | <a href="#">3SE5000-0AT10</a> |
| <ul style="list-style-type: none"> <li>• of the supplied operating lever</li> </ul>                     | <a href="#">3SE5000-0AT01</a> |
| <ul style="list-style-type: none"> <li>• of the supplied switching contacts</li> </ul>                  | <a href="#">3SE5000-0CA00</a> |
| <ul style="list-style-type: none"> <li>• of the supplied empty enclosure with cover</li> </ul>          | <a href="#">3SE5112-0AA00</a> |
| <b>General technical data</b>   |                               |
| <b>Product function</b>   |                               |
| <ul style="list-style-type: none"> <li>• positive opening</li> </ul>                                    | Yes                           |
| <b>Insulation voltage</b>   |                               |
| <ul style="list-style-type: none"> <li>• rated value</li> </ul>   | 400 V                         |
| <b>Degree of pollution</b>  | class 3                       |
| <b>Surge voltage resistance rated value</b>   | 6 kV                          |
| <b>Protection class IP</b>  | IP66/IP67                     |
| <b>Shock resistance</b>   |                               |
| <ul style="list-style-type: none"> <li>• acc. to IEC 60068-2-27</li> </ul>                              | 30 g / 11 ms                  |
| <b>Vibration resistance</b>   |                               |

|  |  |
|--|--|
| <ul style="list-style-type: none"> <li>• acc. to IEC 60068-2-6</li> </ul>  | 0.35 mm/5g   |
| <b>Mechanical service life (switching cycles)</b>  |  |
| <ul style="list-style-type: none"> <li>• typical</li> </ul>  | 1 000 000  |
| <b>Electrical endurance (switching cycles)</b>   |  |
| <ul style="list-style-type: none"> <li>• at AC-15 at 230 V typical</li> </ul>  | 100 000  |
| <b>Electrical endurance (switching cycles) with contactor 3RH11, 3RT1016, 3RT1017, 3RT1024, 3RT1025, 3RT1026 typical</b> | 1 000 000  |
| <b>Electrical operating cycles in one hour with contactor 3RH11, 3RT1016, 3RT1017, 3RT1024, 3RT1025, 3RT1026</b>         | 6 000  |
| <b>Thermal current</b>   | 6 A  |
| <b>Equipment marking</b>   |  |
| <ul style="list-style-type: none"> <li>• acc. to DIN EN 61346-2</li> </ul>   | B  |
| <ul style="list-style-type: none"> <li>• acc. to DIN EN 81346-2</li> </ul>   | B  |
| <b>Continuous current of the C characteristic MCB</b>  | 1 A; for a short-circuit current smaller than 400 A  |
| <b>Continuous current of the quick DIAZED fuse link</b>  | 10 A; for a short-circuit current smaller than 400 A |
| <b>Continuous current of the DIAZED fuse link gG</b>   | 6 A  |
| <b>Active principle</b>  | mechanical   |
| <b>Repeat accuracy</b>   | 0.05 mm  |
| <b>Minimum actuating torque in activation direction</b>  | 0.25 N·m   |
| <b>Operating current at AC-15</b>  |  |
| <ul style="list-style-type: none"> <li>• at 24 V rated value</li> </ul>  | 6 A  |
| <ul style="list-style-type: none"> <li>• at 125 V rated value</li> </ul>   | 6 A  |
| <ul style="list-style-type: none"> <li>• at 230 V rated value</li> </ul>   | 6 A  |
| <ul style="list-style-type: none"> <li>• at 400 V rated value</li> </ul>   | 4 A  |
| <b>Operating current at DC-13</b>  |  |
| <ul style="list-style-type: none"> <li>• at 24 V rated value</li> </ul>  | 3 A  |
| <ul style="list-style-type: none"> <li>• at 125 V rated value</li> </ul>   | 0.55 A   |
| <ul style="list-style-type: none"> <li>• at 230 V rated value</li> </ul>   | 0.27 A   |
| <ul style="list-style-type: none"> <li>• at 400 V rated value</li> </ul>   | 0.1 A  |

#### Enclosure

|   |                            |
|---|----------------------------|
| <b>Design of the housing</b>                  | block, narrow              |
| <b>Material of the enclosure</b>              | metal                      |
| <b>Coating of the enclosure</b>               | cathodic immersion coating |
| <b>Design of the housing acc. to standard</b> | Yes                        |

#### Drive Head

|  |  |
|--|--|
| <b>Design of the operating mechanism</b> | Twist actuator, fork lever, metal lever, plastic rollers 19 mm, single-track |
| <b>Shape of the switch head</b>          | roller   |
| <b>Design of the switching function</b>  | positive opening   |

#### Connections/Terminals

|                               |                      |
|-------------------------------|----------------------|
| Type of electrical connection | screw-type terminals |
|-------------------------------|----------------------|

### Mechanical data

|                  |                |
|------------------|----------------|
| Cable entry type | 1x (M20 x 1.5) |
|------------------|----------------|

### Communication/ Protocol

|                         |         |
|-------------------------|---------|
| Design of the interface | without |
|-------------------------|---------|

### Ambient conditions


|                     |                |
|---------------------|----------------|
| Ambient temperature |                |
| • during operation  | -25 ... +85 °C |
| • during storage    | -40 ... +90 °C |

### Installation/ mounting/ dimensions

|                   |     |
|-------------------|-----|
| Mounting position | any |
|-------------------|-----|

|               |              |
|---------------|--------------|
| Mounting type | screw fixing |
|---------------|--------------|

### Certificates/approvals

| General Product Approval  | Functional Safety/Safety of Machinery  | Declaration of Conformity  |
|---|--|--|
| <br>CCC | <br>UL | <br>EG-Konf. |
| <br>CSA |        | <a href="#">Baumusterprüfbescheinigung</a>   |

|                   |       |
|-------------------|-------|
| Test Certificates | other |
|-------------------|-------|

|   |                               |
|---|-------------------------------|
| <a href="#">spezielle Prüfbescheinigungen</a> | <a href="#">Bestätigungen</a> |
|---|-------------------------------|

### Further information

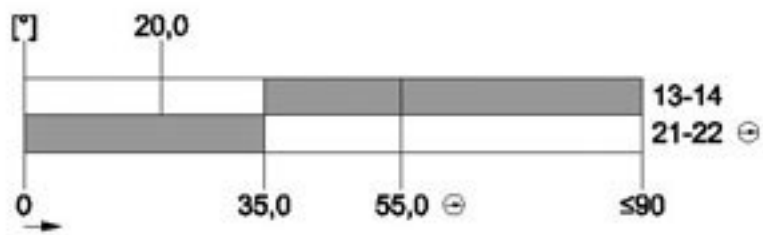
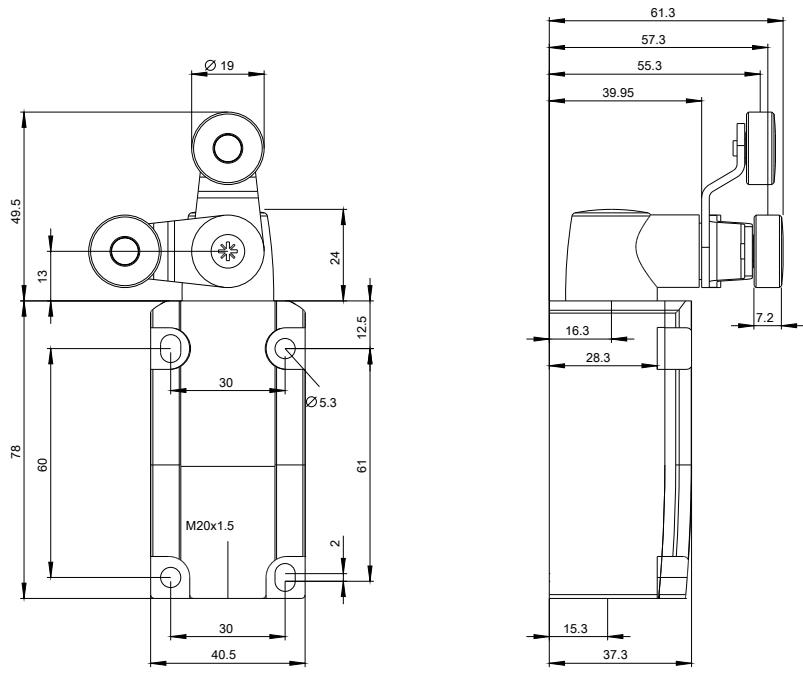
**Information- and Downloadcenter (Catalogs, Brochures,...)**  
<http://www.siemens.com/industrial-controls/catalogs>

**Industry Mall (Online ordering system)**  
<https://mall.industry.siemens.com/mall/en/en/Catalog/product?mlfb=3SE5112-0CT11>

**Cax online generator**  
<http://support.automation.siemens.com/WW/CAXorder/default.aspx?lang=en&mlfb=3SE5112-0CT11>

**Service&Support (Manuals, Certificates, Characteristics, FAQs,...)**  
<https://support.industry.siemens.com/cs/ww/en/ps/3SE5112-0CT11>

**Image database (product images, 2D dimension drawings, 3D models, device circuit diagrams, EPLAN macros, ...)**  
[http://www.automation.siemens.com/bilddb/cax\\_de.aspx?mlfb=3SE5112-0CT11&lang=en](http://www.automation.siemens.com/bilddb/cax_de.aspx?mlfb=3SE5112-0CT11&lang=en)



last modified:

12/26/2016