

Walking-Beam Interlock

Módulo de enclavamiento recíproco para interruptores adyacentes

Module d'interverouillage mécanique

For Use With Frame JG, LG
Para Usar Con Caja Base JG, LG

Installation Instructions / Instructivo de Instalación

	 Danger	 Peligro	 Danger
	Hazardous Voltage. Will cause death or serious injury.	Tensión peligrosa. Puede causar la muerte o lesiones graves.	Tension dangereuse. Danger de mort ou risque de blessures graves.
	Turn off and lock out all power supplying this device before working on this device. Replace all covers before power supplying this device is turned on.	Desenergice totalmente antes de instalar o darle servicio. Reemplace todas las barreras y cubiertas antes de energizar el interruptor.	Couper l'alimentation de l'appareil et barrer avant de travailler. Remplacez tous les couverts avant que l'approvisionnement de pouvoir soit alimenté.

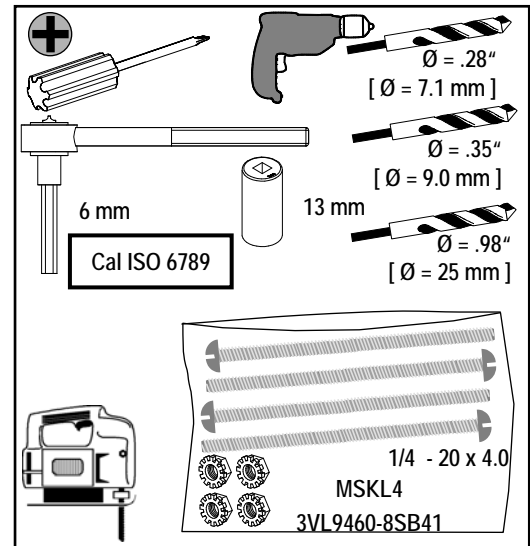
Use only with Siemens certified Components.

Utilizar únicamente con componentes certificados de Siemens.

A utiliser uniquement avec les composants certifiés Siemens.

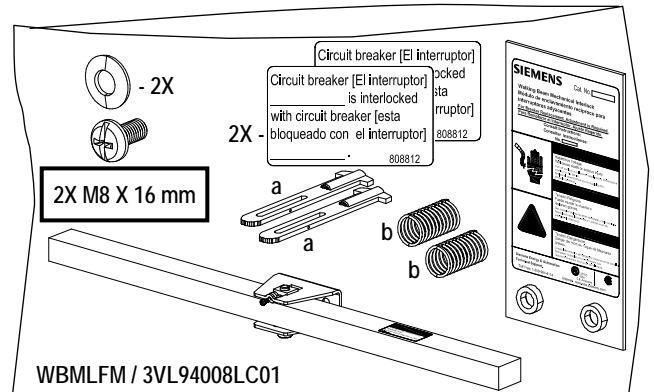
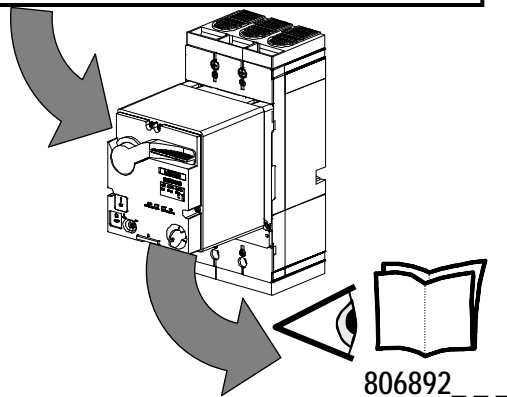
NOTE - These instructions do not purport to cover all details or variations in equipment, or to provide for every possible contingency to be met in connection with installation, operation or maintenance. Should further information be desired or should particular problems arise, which are not covered sufficiently for the purchaser's purposes, the matter should be referred to the local Siemens sales office. The contents of this Instruction manual shall not become part of or modify any prior or existing agreement, commitment or relationship. The sales contract contains the entire obligation of Siemens. The warranty contained in the contract between the parties is the sole warranty of Siemens. Any statements contained herein do not create new warranties or modify the existing warranty.

Trademarks - Unless otherwise noted, all names identified by ® are registered trademarks of Siemens AG or Siemens Industry, Inc. The remaining trademarks in this publication may be trademarks whose use by third parties for their own purposes could violate the rights of the owner.



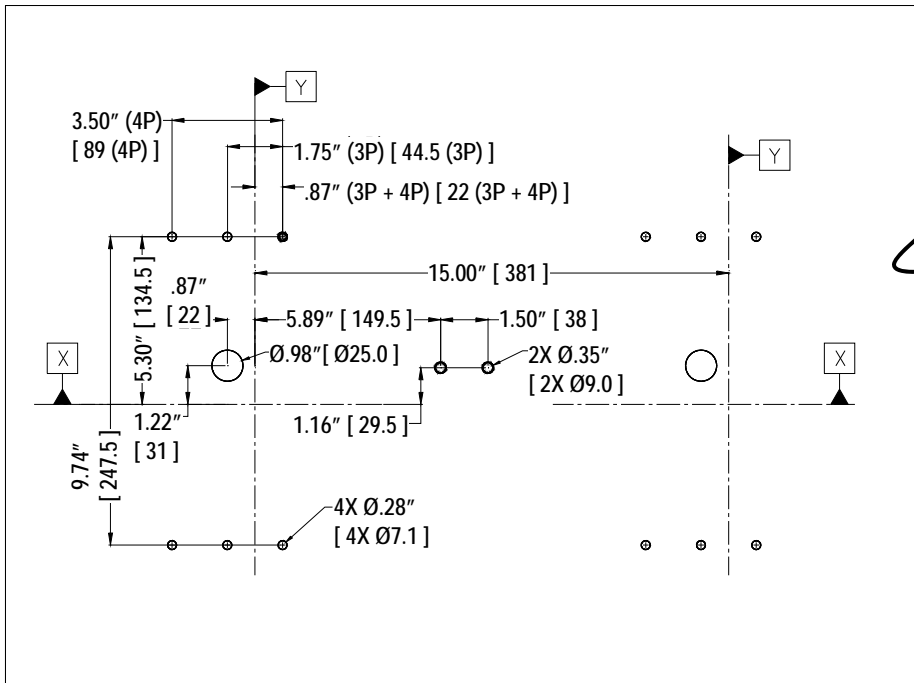
SEALB	3VL9400-3MJ01 = 24 Vdc
SEALM	3VL9400-3ML01 = 42-48 V ac/dc
SEALY	3VL9400-3MS01 = 60 V ac/dc
SEALN	3VL9400-3MN01 = 110-127 V ac/dc
SEALR	3VL9400-3MQ01 = 220-250 V ac/dc

Notice: Control circuit interlocking recommended to prevent unintended operation of the motor operator in conflict with the walking beam interlock.
[**Aviso:** El enclavamiento del circuito de control es recomendado para prevenir la operación involuntaria del accionamiento de motor en conflicto con el modulo de enclavamiento mecánico.]

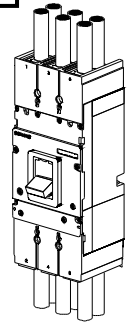


Supplied by Customer:
Proveído por el Cliente:

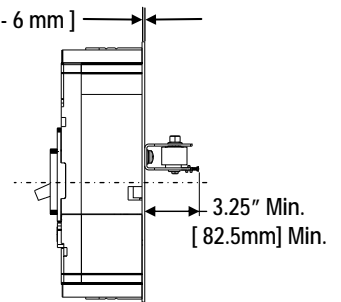
Front Connect
 [Conexión Frontal]
 JG / LG Circuit Breaker (3 + 4 Pole)
 [JG / LG Interruptor (3 + 4 Polos)]



Cold Rolled Steel
 [Acero rollado en frio]

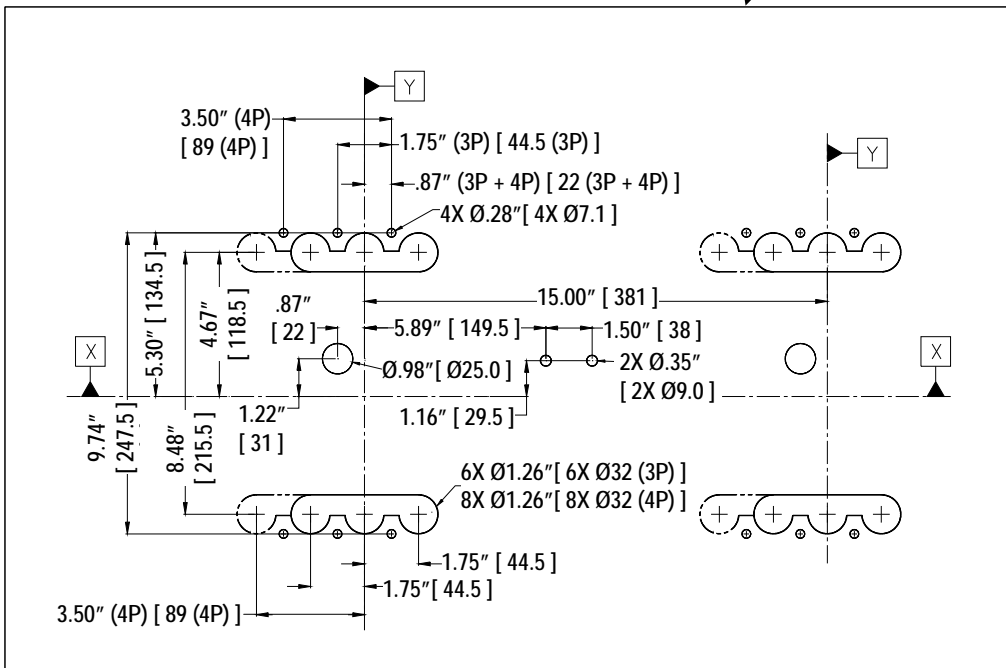


.12 - .24"
 [3 - 6 mm]

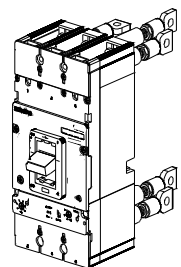


Supplied by Customer:
Proveído por el Cliente:

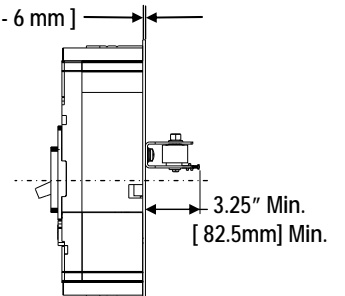
Rear Connect
 [Conexión Trasera]
 JG / LG Circuit Breaker (3 + 4 Pole)
 [JG / LG Interruptor (3 + 4 Polos)]



Cold Rolled Steel
 [Acero rollado en frio]



.12 - .24"
 [3 - 6 mm]





⚠ Danger

Hazardous Voltage.
Will cause death or serious injury.

Turn off and lock out all power supplying this device before working on this device.
Replace all covers before power supplying this device is turned on.

⚠ Peligro

Tensión peligrosa.
Puede causar la muerte o lesiones graves.

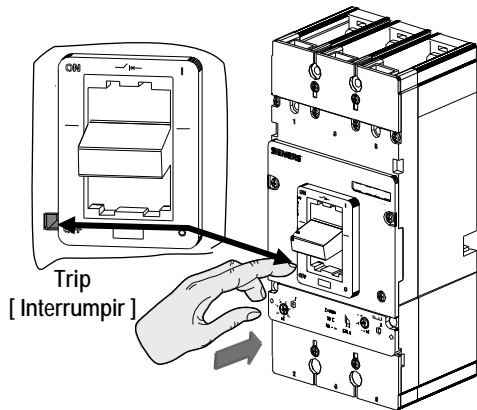
Desenergice totalmente antes de instalar o darle servicio.
Reemplace todas las barreras y cubiertas antes de energizar el interruptor.

⚠ Danger

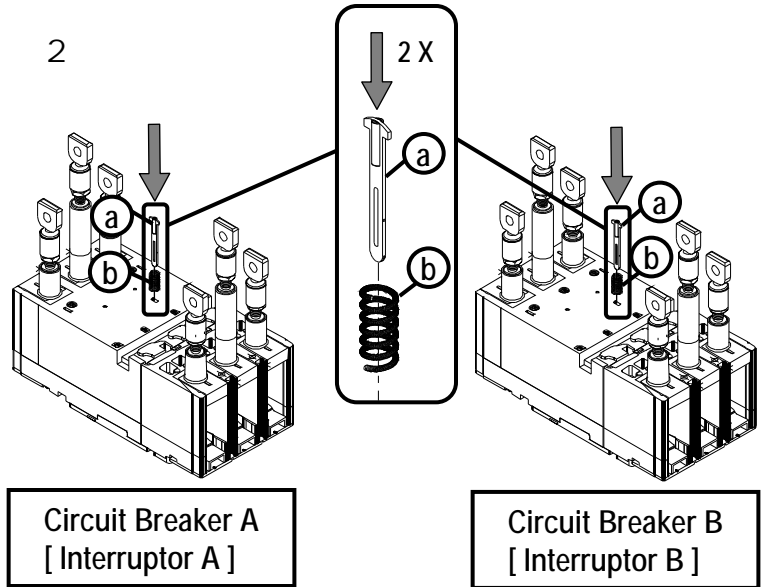
Tension dangereuse.
Danger de mort ou risque de blessures graves.

Couper l'alimentation de l'appareil et barrer avant de travailler.
Remplacez tous les couverts avant que l'alimentation de pouvoir soit alimenté.

1



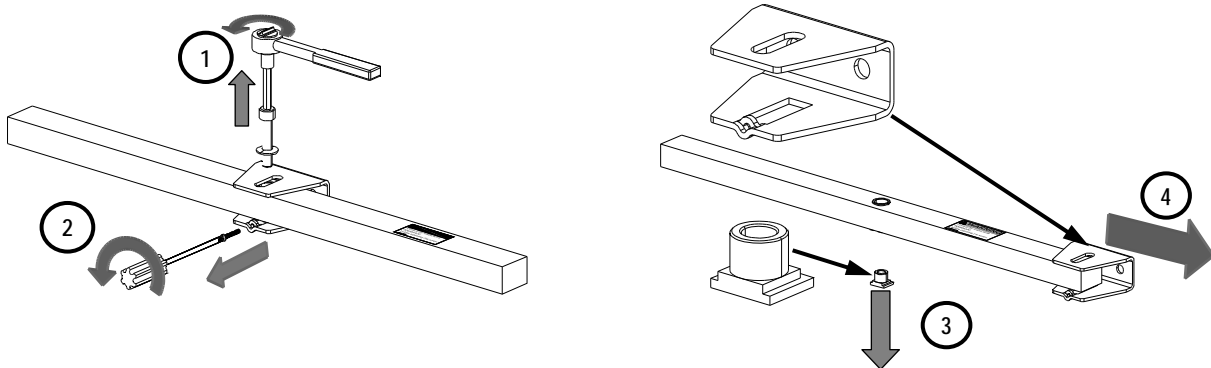
2



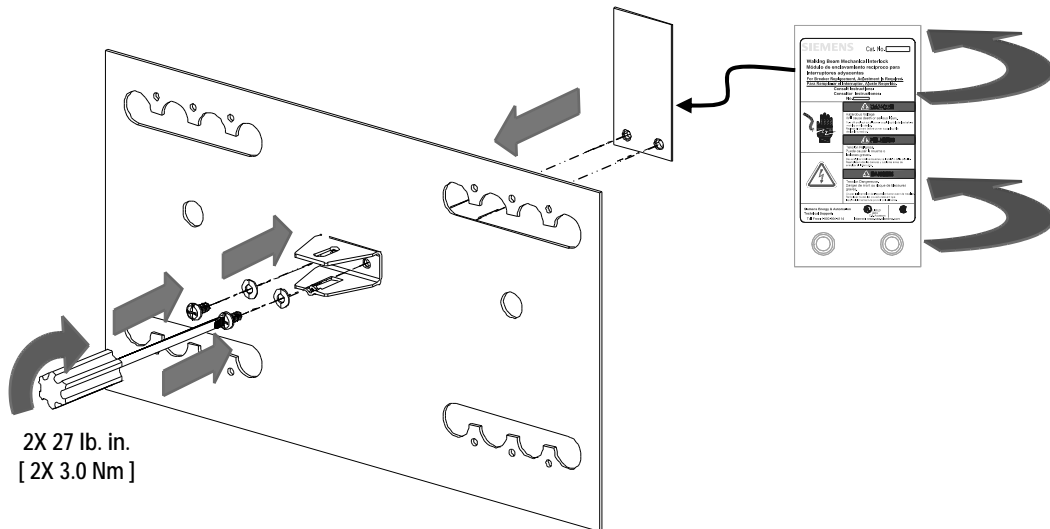
Circuit Breaker A
[Interruptor A]

Circuit Breaker B
[Interruptor B]

3



4



2X 27 lb. in.
[2X 3.0 Nm]



Danger

Hazardous Voltage.
Will cause death or serious injury.



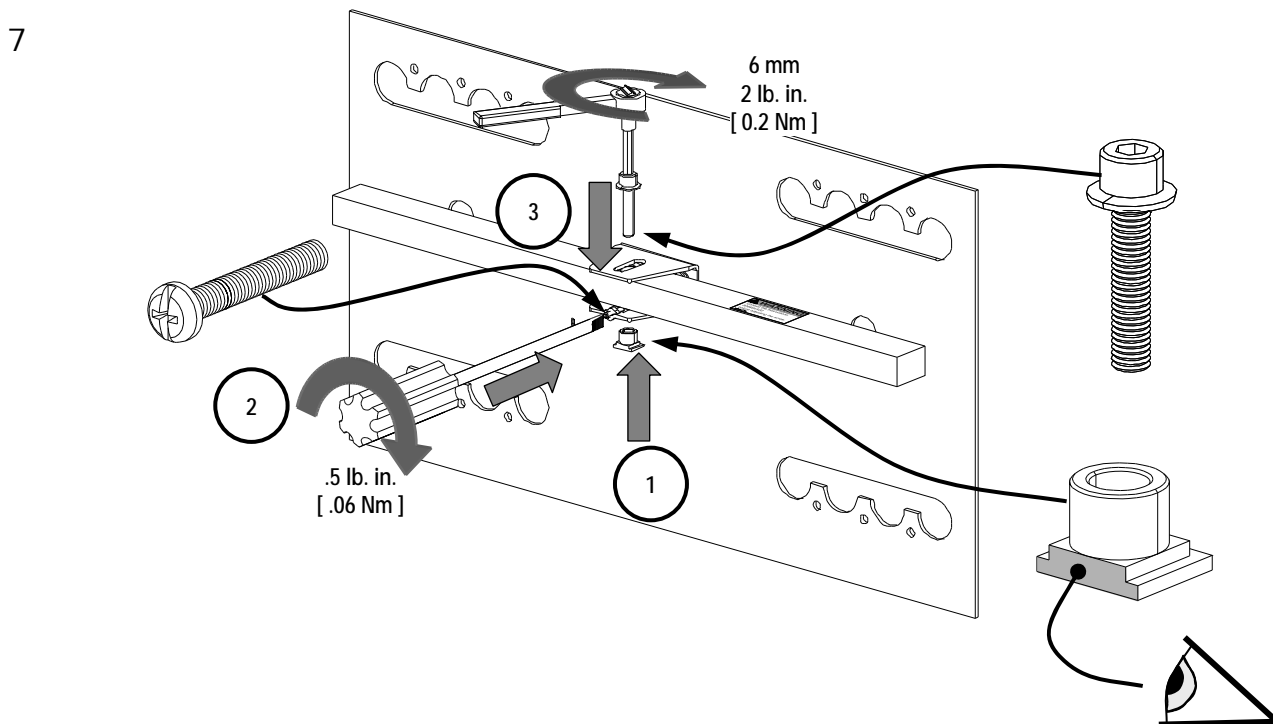
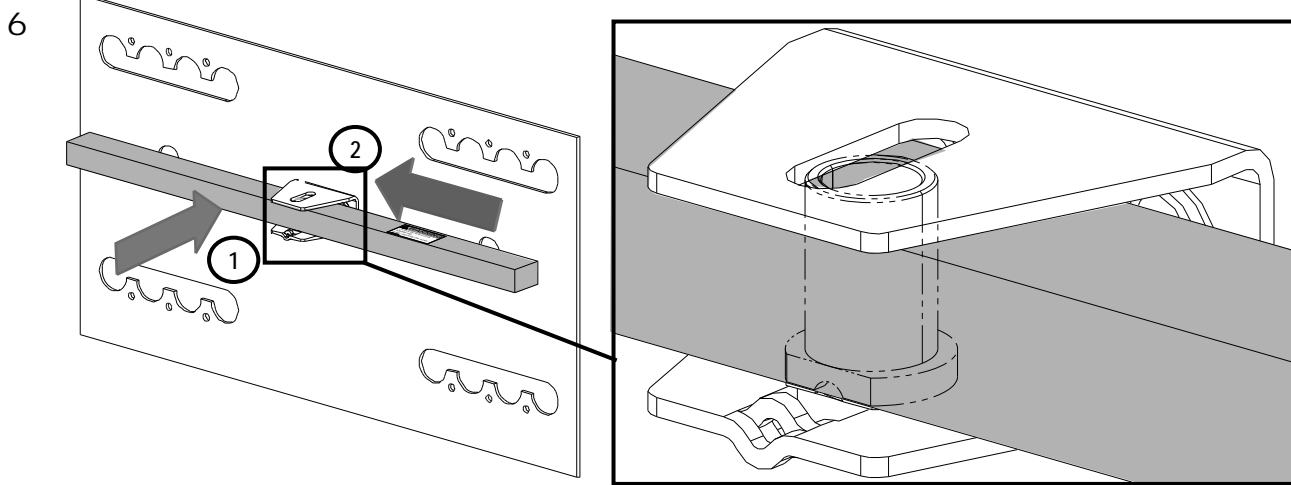
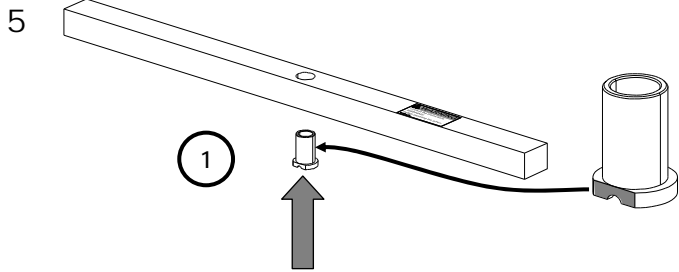
Turn off and lock out all power supplying this device before working on this device.
Replace all covers before power supplying this device is turned on.

Peligro

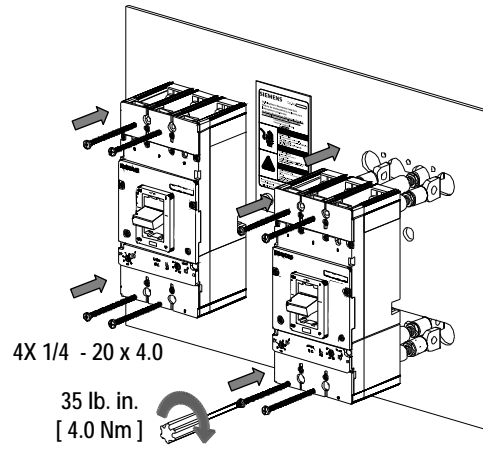
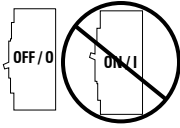
Tensión peligrosa.
Puede causar la muerte o lesiones graves.
Desenergice totalmente antes de instalar o darle servicio.
Reemplace todas las barreras y cubiertas antes de energizar el interruptor.

Danger

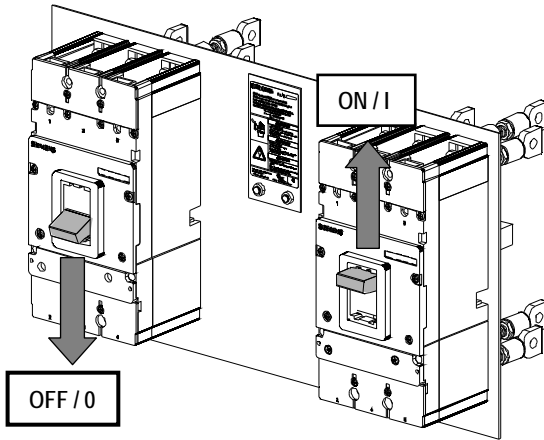
Tension dangereuse.
Danger de mort ou risque de blessures graves.
Couper l'alimentation de l'appareil et barrer avant de travailler.
Remplacez tous les couverts avant que l'alprovisionnement de pouvoir soit alimenté.



8

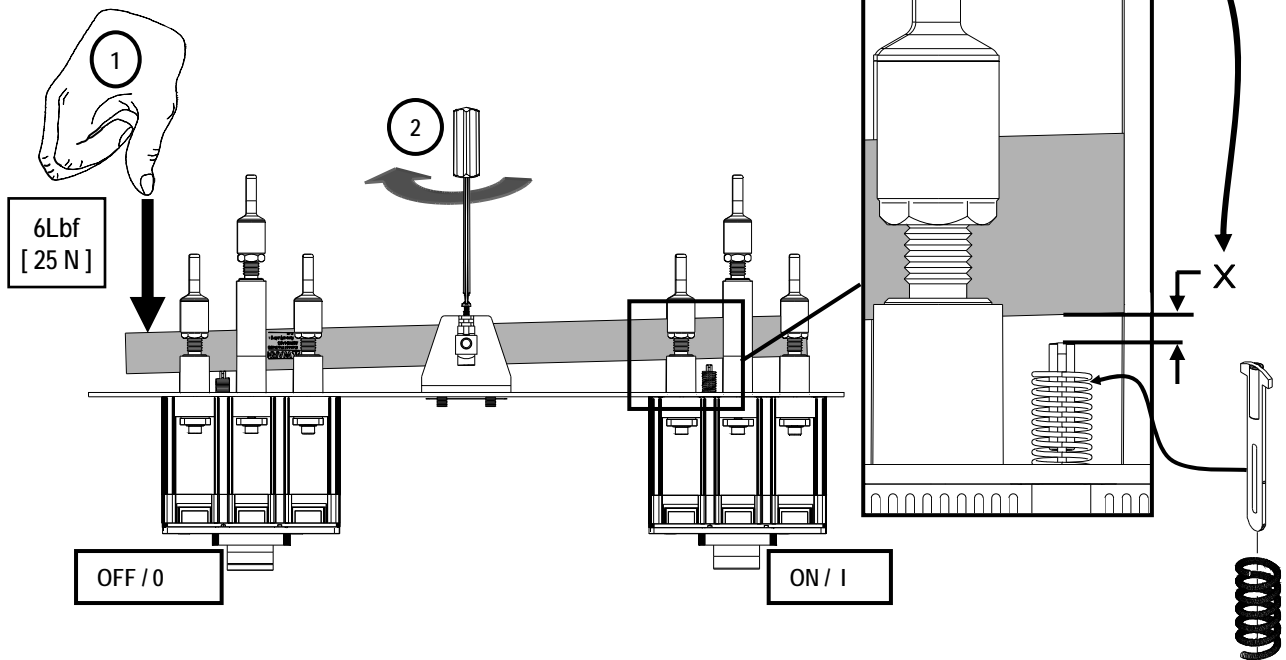
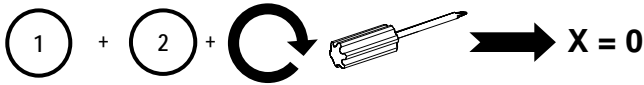


9

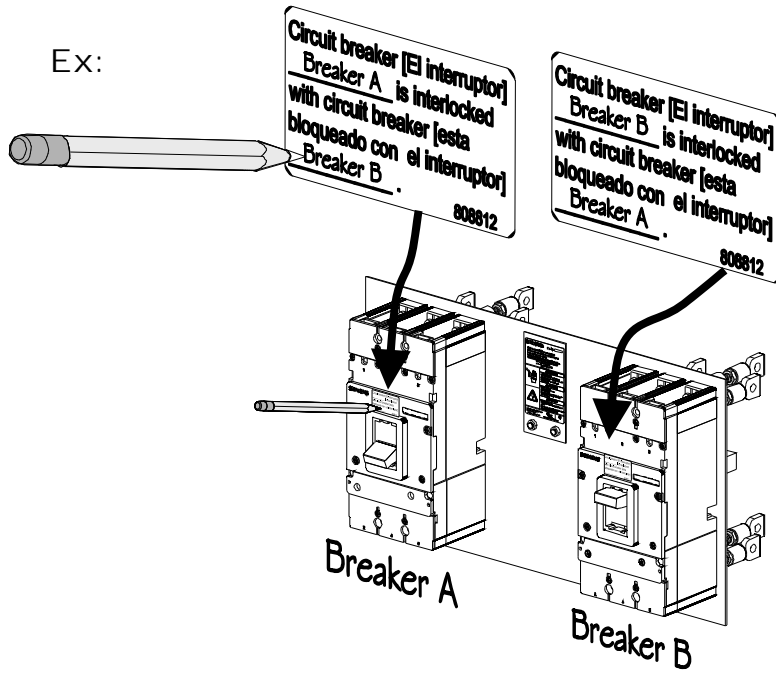


10

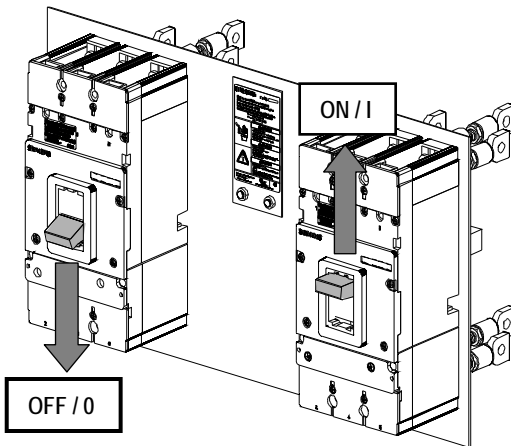
X > 0



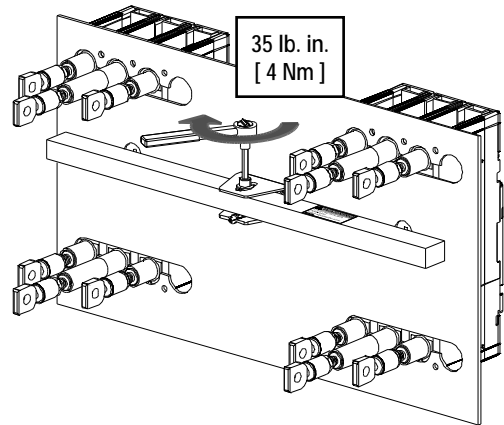
11



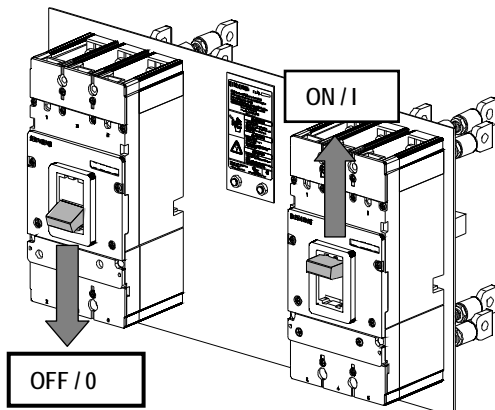
12



13



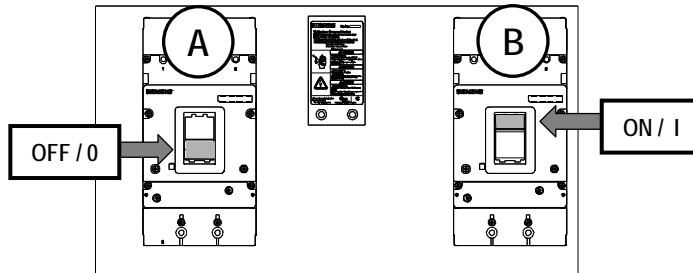
14



 ⚠ Danger Hazardous Voltage. Will cause death or serious injury.	⚠ Peligro Tensión peligrosa. Puede causar la muerte o lesiones graves.	⚠ Danger Tension dangereuse. Danger de mort ou risque de blessures graves.
 Turn off and lock out all power supplying this device before working on this device. Replace all covers before power supplying this device is turned on.	Desenergice totalmente antes de instalar o darle servicio. Reemplace todas las barreras y cubiertas antes de energizar el interruptor.	Couper l'alimentation de l'appareil et barrer avant de travailler. Remplacez tous les couverts avant que l'approvisionnement de pouvoir soit alimenté.



15

Test:
[Prueba:]

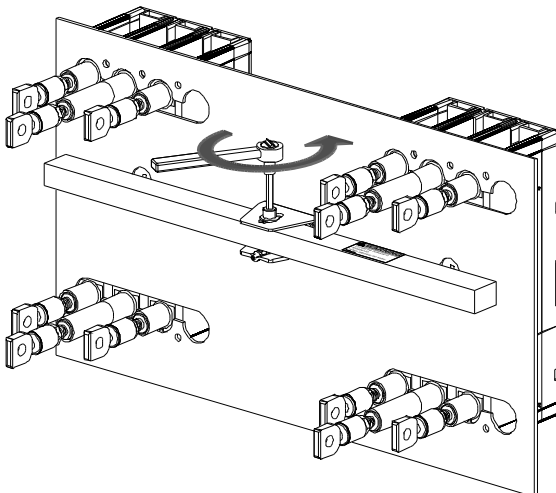


	A	B	Result [Resultado]			Repeat [Repetir]
			A	B		
15 - a	OFF / 0 → ON / I	ON / I	ON / I	ON / I	OK	5X
15 - b	ON / I	OFF / 0 → ON / I	ON / I	ON / I	OK	5X
15 - c	OFF / 0 → ON / I	OFF / 0 → ON / I	ON / I	ON / I	OK	5X
15 - d	OFF / 0	OFF / 0	OFF / 0	OFF / 0	OK	1X
15 - e	OFF / 0	OFF / 0 → ON / I	OFF / 0	ON / I	OK	1X
15 - f	OFF / 0 → ON / I	OFF / 0	ON / I	OFF / 0	OK	1X

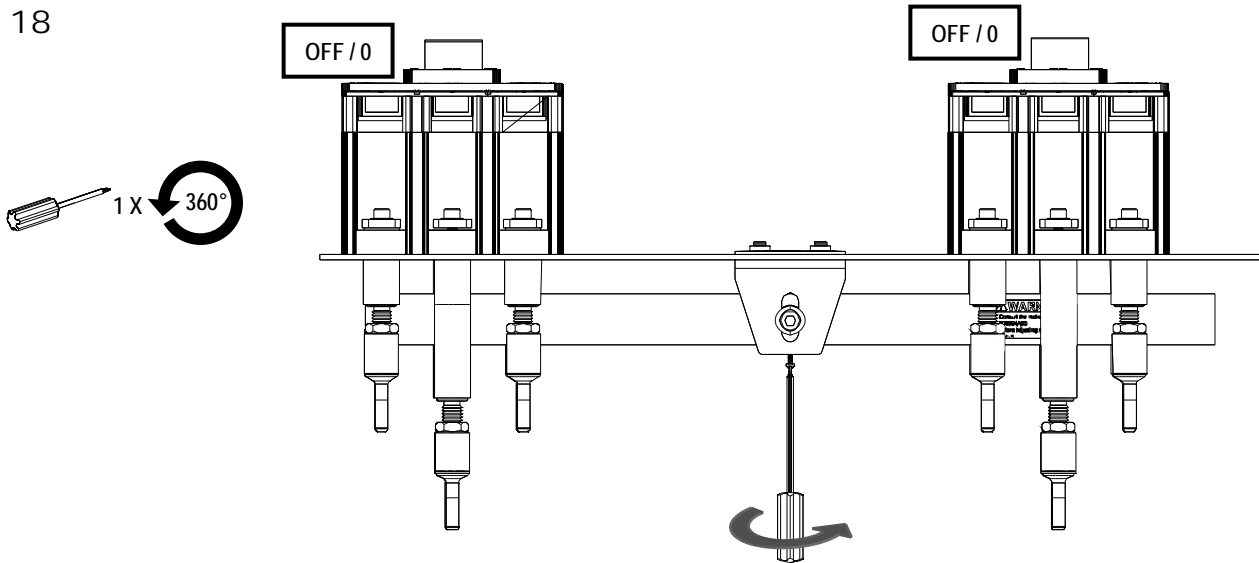
16 Test:
[Prueba:] =

 → Step 21
 [Paso 21]
 → Step 17
 [Paso 17]

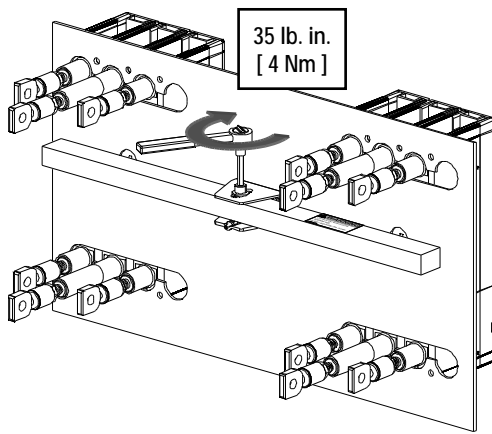
17



18



19



20

Step 13
[Paso 13]

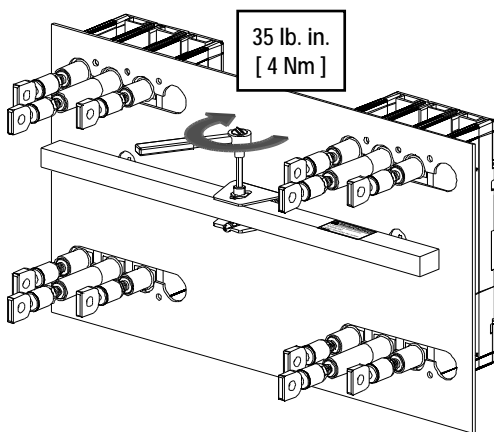


Test:
[Prueba:]



Step 21
[Paso 21]

21



For Support in Europe refer to :

Bestell-Nr. / Order No.: 3ZX1012-0VL68-7AA3

Internet: www.siemens.de/lowvoltage/technical-assistance

GWA 4NEB 179 6894-10 DS 03

Technical Support:

Toll Free: 1-800-241-4453

Internet: www.usa.siemens.com/powerdistribution

Subject to change without prior notice
Siemens Industry, Inc., Norcross, GA 30092 U.S.A.