



circuit breaker 3VA6 UL frame 150 breaking capacity class E 200 kA @ 480 V 4-pole, line protection ETU330, LIG, In=60A overload protection Ir=24A ...60A short circuit protection li=1,5...12 x In neutral protection adjustable(OFF; 100%) ground fault protection Ig=0,4... 1 x In, tg=0,1/0,3s w/o connection

Model	
product brand name	SENTRON
product designation	Molded-case circuit breaker
product designation / according to UL file	EDAE
Product version	System protection
design of the load switch / acc. to UL 489 / Heating, Air Conditioning, and Refrigeration circuit breaker (HACR Type)	Yes
design of the overcurrent release	ETU330
protection function of the overcurrent release	LIG
number of poles	4
General technical data	
Tension assignée d'isolement Ui	800 V
power loss [W] / maximum	2.4 W
Active power loss / for rated value of the current / at AC / in hot operating state / per pole	0.8 W
mechanical service life (operating cycles) / typical	20 000
Electrical endurance (switching cycles) / at AC-1 / at 380/415 V 50/60 Hz	9 000
Electrical endurance (switching cycles) / at AC-1 / at 690 V 50/60 Hz	5 000
electrical endurance (switching cycles) / at 480 V	9 000
electrical endurance (switching cycles) / at 600 V	9 000
Neutral conductors / upgradeable/retrofitable	No
ground-fault monitoring version	Summation current formation L + N-conductor
product function	
• communication function	No
• other measurement function	No
Current	
marking / acc. to UL 489 / 100%-rated breaker	No
operational current	
• at 55 °C	60 A
• at 60 °C	60 A
• at 65 °C	60 A
• at 70 °C	60 A
Switching capacity according to IEC 60947	
breaking capacity maximum short-circuit current (Icu)	
• at 415 V	200 kA
• at 690 V	3 kA

breaking capacity operating short-circuit current (Ics)	150 kA 3 kA		
<ul style="list-style-type: none"> at 415 V at 690 V 			
short-circuit current making capacity (Icm)	440 kA 4.5 kA		
<ul style="list-style-type: none"> at 415 V at 690 V 			
Switching capacity according to UL 489			
breaking capacity current	200 kA 100 kA		
<ul style="list-style-type: none"> at 480 V at 600 V 			
Adjustable parameters			
Adjustable response value current / li min.	90 A		
Adjustable response value current / li max.	720 A		
Ground fault protection / tripping switchable / I2t=ON/OFF	Yes		
Adjustable response value current / Ig min.	15 A		
Adjustable response value current / Ig max.	60 A		
Adjustable response value current / tg min.	0.1 s		
Adjustable response value current / Ig min.	0.3 s		
Mechanical Design			
height [in]	7.8 in		
Height	198 mm		
width [in]	5.5 in		
Width	140 mm		
depth [in]	3.4 in		
depth	86 mm		
Connections			
arrangement of electrical connectors / for main current circuit	Without connection		
type of electrical connection / for main current circuit	Without		
Auxiliary circuit			
number of CO contacts / for auxiliary contacts	0		
Accessories			
product extension / optional / motor drive	Yes		
Environmental conditions			
protection class IP / on the front	IP40		
ambient temperature			
<ul style="list-style-type: none"> during operation / minimum during operation / maximum during storage / minimum during storage / maximum 	-25 °C 70 °C -40 °C 80 °C		
Certificates			
reference code / acc. to IEC 81346-2	Q		
certificate of suitability / as approval for NAVAL (no combat vessels) / supplement SB	Yes		
General Product Approval	EMC	Declaration of Conformity	Shipping Approval



[Miscellaneous](#)



other

[Miscellaneous](#)

Further information

Information- and Downloadcenter (Catalogs, Brochures,...)

<http://www.siemens.com/lowvoltage/catalogs>

Industry Mall (Online ordering system)

<https://mall.industry.siemens.com/mall/en/en/Catalog/product?mfb=3VA6160-0HM41-0AA0>

Service&Support (Manuals, Certificates, Characteristics, FAQs,...)

<https://support.industry.siemens.com/cs/ww/en/ps/3VA6160-0HM41-0AA0>

Image database (product images, 2D dimension drawings, 3D models, device circuit diagrams, ...)

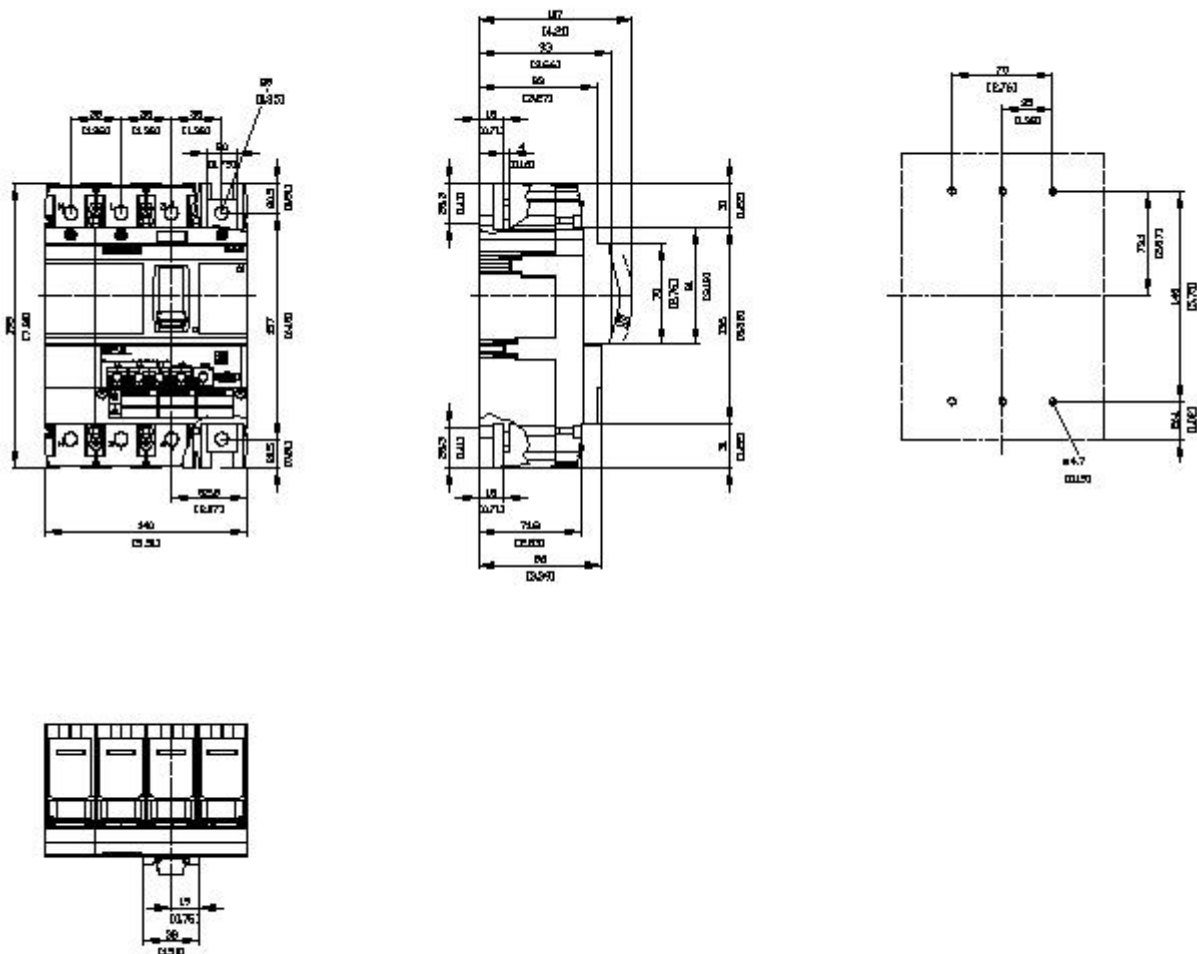
http://www.automation.siemens.com/bilddb/cax_en.aspx?mfb=3VA6160-0HM41-0AA0

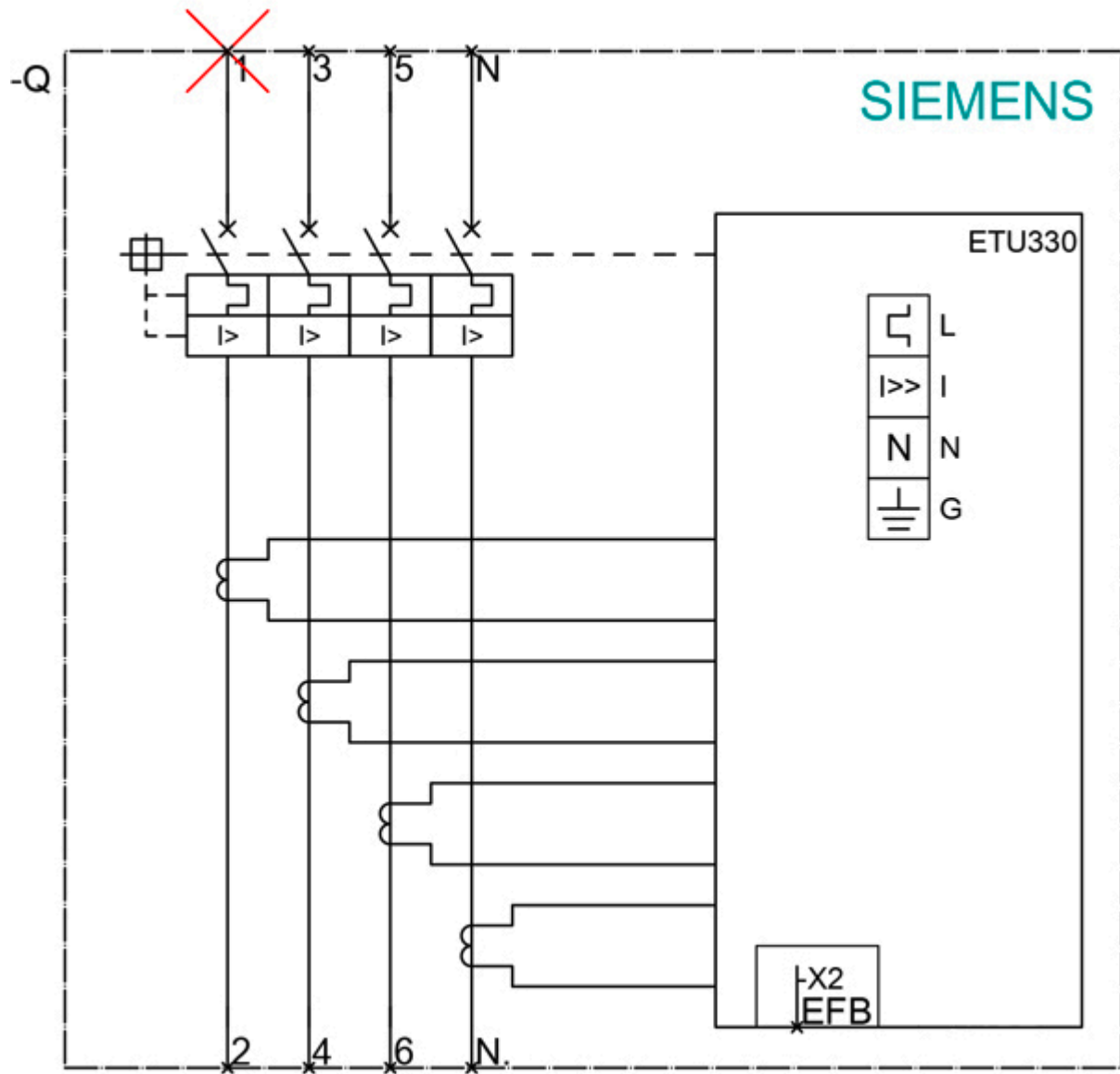
CAX-Online-Generator

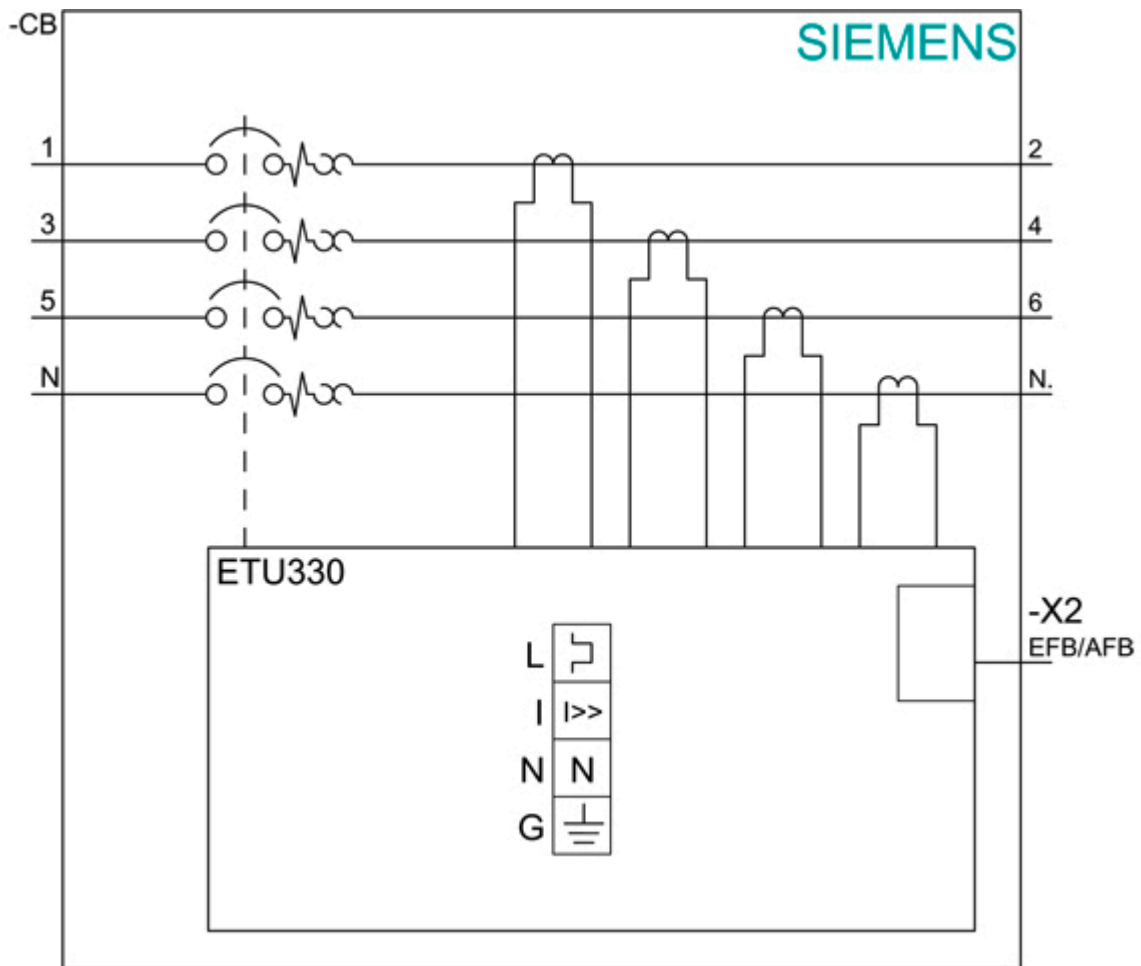
<http://www.siemens.com/cax>

Tender specifications

<http://www.siemens.com/specifications>







last modified:

12/18/2020 