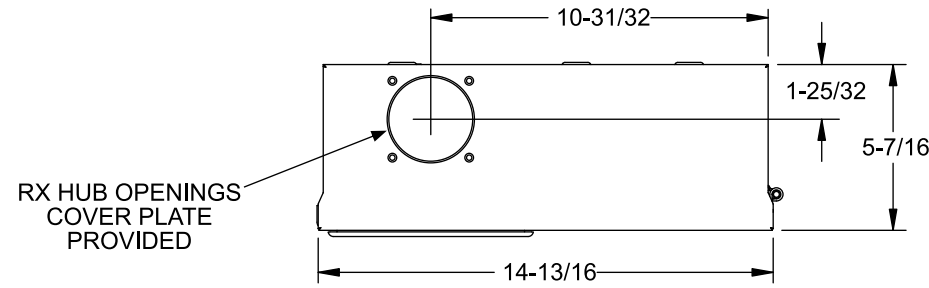


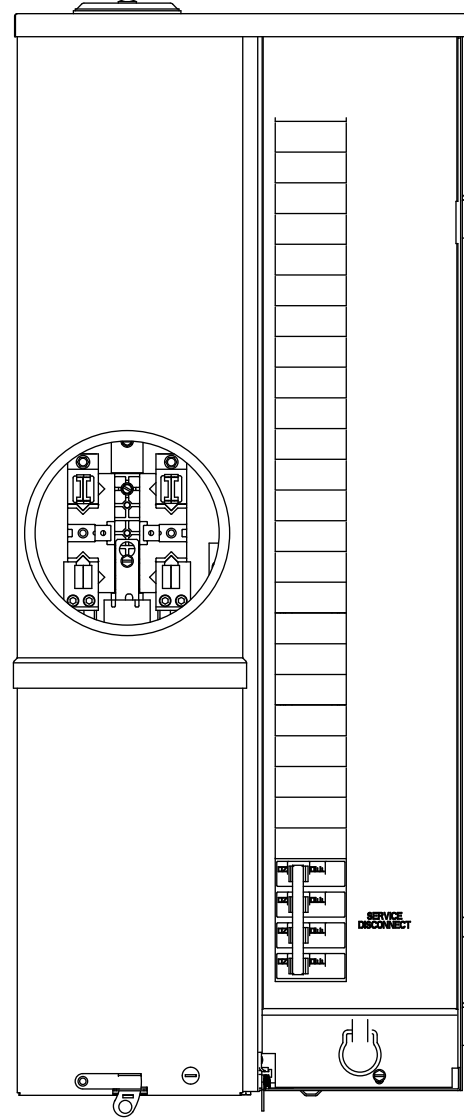
Catalog Number: MC2442B1225ESC

Features and Ratings

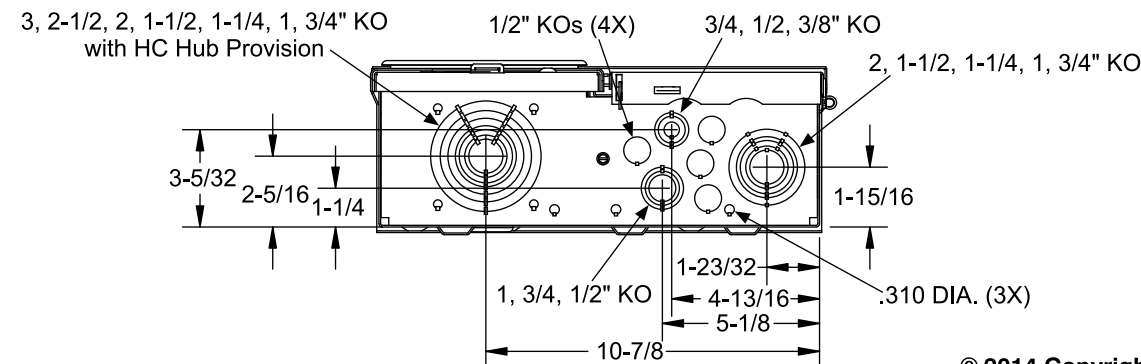
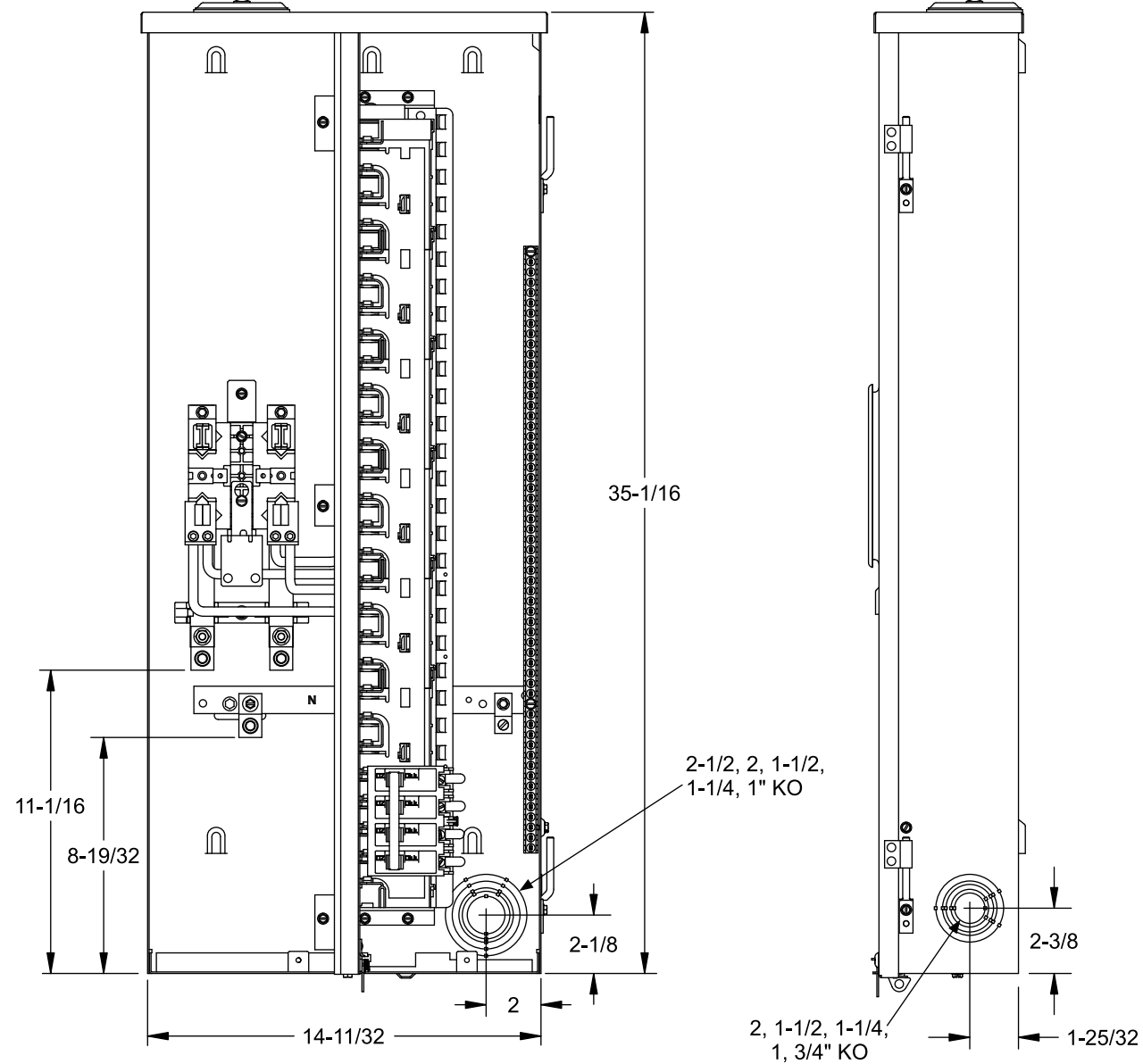
- Outdoor Enclosure (NEMA Type 3R)
- Ring Type Meter Cover
- Meter Socket Rating: 200A Continuous
- Panelboard Rating: 225A Max; Bus rating: 225 Amps Max.
- 1 Phase, 3 Wire, 120/240V~, 120/208V~
- 225A Breaker Factory Installed
- 22,000 AIC Max. Rated (See Wiring Diagram for Details)
- (24) 1" Spaces, (42) Circuits Max.
- Copper Bus Bars
- Overhead or Underground Service Entrance
- Surface Mounting
- Complies with EUSERC Dwg. No. 301



View Shown Without Door



View Shown Without Covers, Door, Deadfront



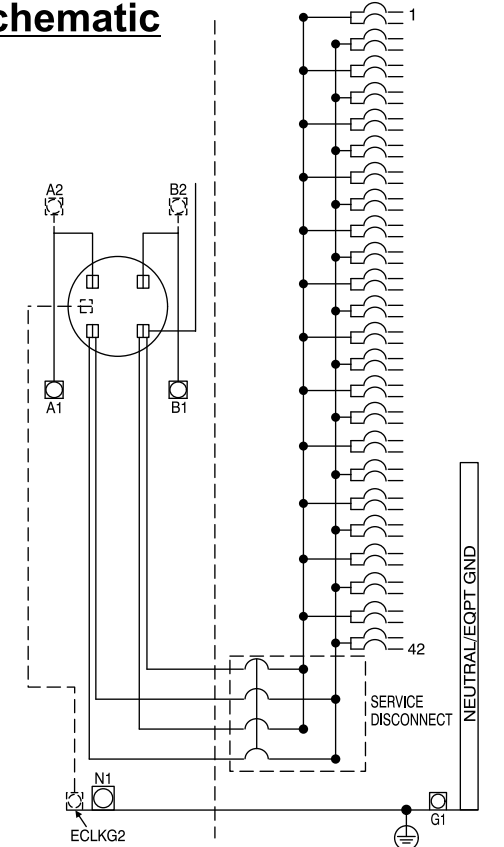
Accessories, Torques & Wire Sizes

Trade size (in)	Catalog number
<i>RX Type Hub (top endwall)</i>	
1 1/4"	EC38597
1 1/2"	EC38598
2"	EC38599
2 1/2"	EC38600
RX Cover Plate	EC38595
<i>HC Type Hub (bottom endwall)</i>	
2"	ECHC200
2 1/2"	ECHC250
3"	ECHC300

Accessories	Cat. No.
Filler Plate	ECQF3
5" Jaw Assembly	EMC5J
Mechanical Interlock	ECQML12
Meter Socket Jumper	ECJS
Interlock Kit	ECSBP02

Lug Kit	Wire Range	Torque
ECLKG2	2/0 - #14	50 lb in

Schematic



Any 80-100 Amp circuit breaker must be installed in the lowest position in the branch panel. All other positions are limited to 70 Amp maximum circuit breakers.

Terminal	Wire Size	Torque
A1, B1, A2, B2	250kcmil - #4	250 lb-in
N1	250kcmil - #4	250 lb-in
G1	2/0 - #14	50 lb-in
Branch Breaker Terminals	See Markings on Breaker	
Neutral/Equipment Ground	#10 - #14 CU	20 lb-in
	#10 - #12 AL	20 lb-in
	#8	25 lb-in
Ground Conductors Only	#6 - #4	35 lb-in
	(2) or (3) #14 AWG	20 lb-in
	(2) #12-#10 AWG	20 lb-in

Line terminals A1 and B1 are installed for underground service entry as shown in the wiring diagram. For overhead entry, service bus may be repositioned.

SIEMENS
Siemens Industry, Inc.

Meter Load Center Combination

Description:

225A, 24 Sp/42 Ckt, OH/UG, Surf Mount

KAM
1/27/14

Fam
G

DO NOT SCALE
DRAWING

Dwg. No.

MC2442B1225ESC