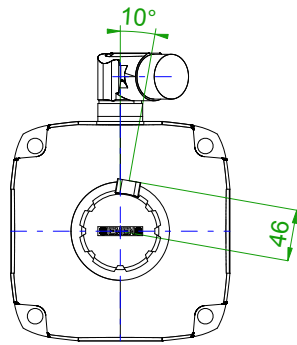
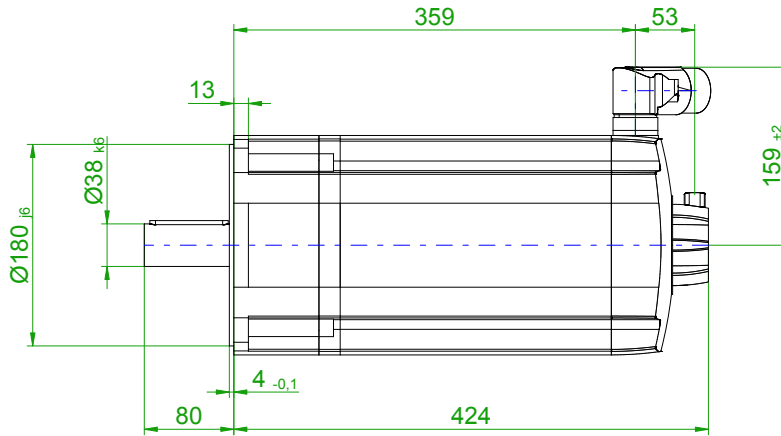
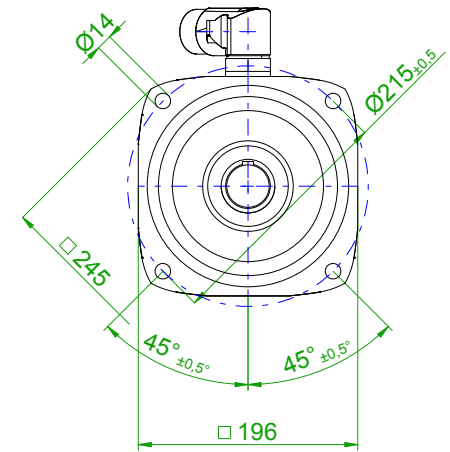


back view

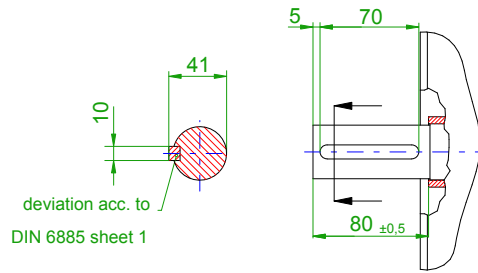


front view

center hole  
DIN 332-DR M12

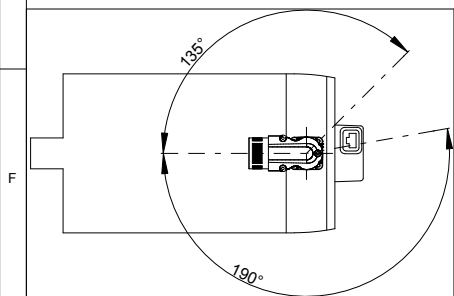
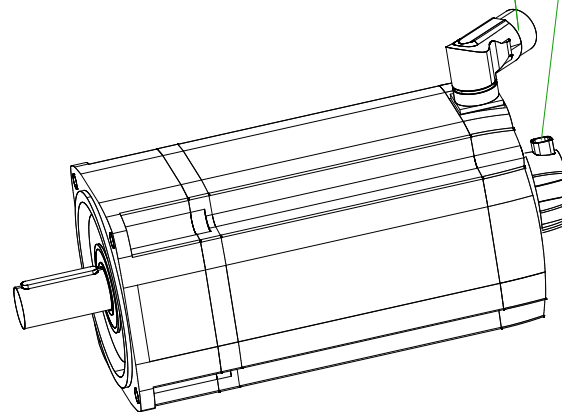


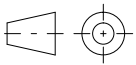
version with featherkey



6-pole plug size 1.5  
for power and brake

10-pole  
signal plug



|   |   |                    |         |
|---|---|--------------------|---------|
|  |   | <b>SIEMENS</b>     |         |
| Einheit / unit: mm  | Synchron-Servomotor<br>Synchronous Servo Motor: | 1FT7108-5AF71-1CB1 |         |
| nicht tolerierte Maße /<br>not toleranced dimensions:                                 | Optionen / options:                             | Gewicht / mass:    | 65.1 kg |
| Maßstab / scale: ohne / without   | Bemerkung / notice:                             |                    |         |
| CAD CREATOR 2.2 (WWW-Version V02.20.00.00)  | Druckdatum / print date:                        | 28.09.2019         |         |