

Position switch Plastic enclosure according to EN 50047, 31 mm 1 NO/2 NC slow-action contacts with M12 connector, 4-pole 2 NC connected Pin assignment: Pin1=21, Pin2=22 Pin3=31, Pin4=32 for max. 250 V and 4 A with Teflon plunger



Product brand name	SIRIUS
Product designation	Mechanical position switches
Product type designation	3SE5
Manufacturer's article number	
<ul style="list-style-type: none"> <li>• of the supplied basic switch</li> <li>• of the supplied switching contacts</li> </ul>	<a href="#">3SE5234-0KC05-1AE0</a> <a href="#">3SE5000-0KA00</a>
Suitability for use safety switch	Yes

General technical data	
Product function	
<ul style="list-style-type: none"> <li>• positive opening</li> </ul>	Yes
Degree of pollution	class 3
Surge voltage resistance rated value	2.5 kV
Protection class IP	IP65
Shock resistance	
<ul style="list-style-type: none"> <li>• acc. to IEC 60068-2-27</li> </ul>	30 g / 11 ms
Mechanical service life (switching cycles)	
<ul style="list-style-type: none"> <li>• typical</li> </ul>	15 000 000
Electrical endurance (switching cycles)	
<ul style="list-style-type: none"> <li>• at AC-15 at 230 V typical</li> </ul>	100 000

Electrical operating cycles in one hour with contactor 3RH11, 3RT1016, 3RT1017, 3RT1024, 3RT1025, 3RT1026	6 000
Thermal current	4 A
Material of the enclosure of the switch head	plastic
Reference code acc. to DIN EN 81346-2	B
Reference code acc. to DIN EN 61346-2	B
Continuous current of the C characteristic MCB	1 A; for a short-circuit current smaller than 400 A
Continuous current of the quick DIAZED fuse link	4 A; for a short-circuit current smaller than 400 A
Continuous current of the DIAZED fuse link gG	4 A
Active principle	mechanical
Repeat accuracy	0.05 mm
Minimum actuating force in activation direction	20 N
Length of the sensor	89.7 mm
Width of the sensor	31 mm
Design of the switching contact	mechanical
Operating frequency rated value	50 ... 60 Hz
Number of NC contacts for auxiliary contacts	2
Number of NO contacts for auxiliary contacts	0
Operating current at AC-15	
• at 24 V rated value	4 A
• at 125 V rated value	4 A
• at 240 V rated value	4 A
Operating current at DC-13	
• at 24 V rated value	3 A
• at 125 V rated value	0.55 A
• at 250 V rated value	0.27 A

#### Enclosure

Design of the housing	block, narrow
Material of the enclosure	plastic
Coating of the enclosure	Other types
Design of the housing acc. to standard	Yes

#### Drive Head

Design of the operating mechanism	Rounded plunger, Teflon plunger
Standard-compliant actuator head	EN 50047, design B
Shape of the switch head	rounded
Design of the switching function	positive opening
Circuit principle	slow-action contacts
Number of switching contacts safety-related	2
Cable entry type	M12 plug
Design of plug-in connection	M12 plug, 4-pole: Pin 1 = terminal 21, Pin 2 = 22, Pin 3 = 31, Pin 4 = 32

## Communication/ Protocol

**Design of the interface** without

## Ambient conditions

**Ambient temperature**

- during operation -25 ... +85 °C
- during storage -40 ... +90 °C

**Explosion protection category for dust** none

## Installation/ mounting/ dimensions

**Mounting position** any

**Mounting type** screw fixing

## Certificates/ approvals

General Product Approval	Functional Safety/Safety of Machinery	Declaration of Conformity
 CCC	 UL	 EG-Konf.
 CSA		<a href="#">Type Examination Certificate</a>

Declaration of Conformity	Test Certificates	other
<a href="#">Miscellaneous</a>	<a href="#">Type Test Certificates/Test Report</a>	<a href="#">Confirmation</a>

## Further information

### Information- and Downloadcenter (Catalogs, Brochures,...)

[www.siemens.com/sirius/catalogs](http://www.siemens.com/sirius/catalogs)

### Industry Mall (Online ordering system)

<https://mall.industry.siemens.com/mall/en/en/Catalog/product?mlfb=3SE5234-0KC05-1AE0>

### Cax online generator

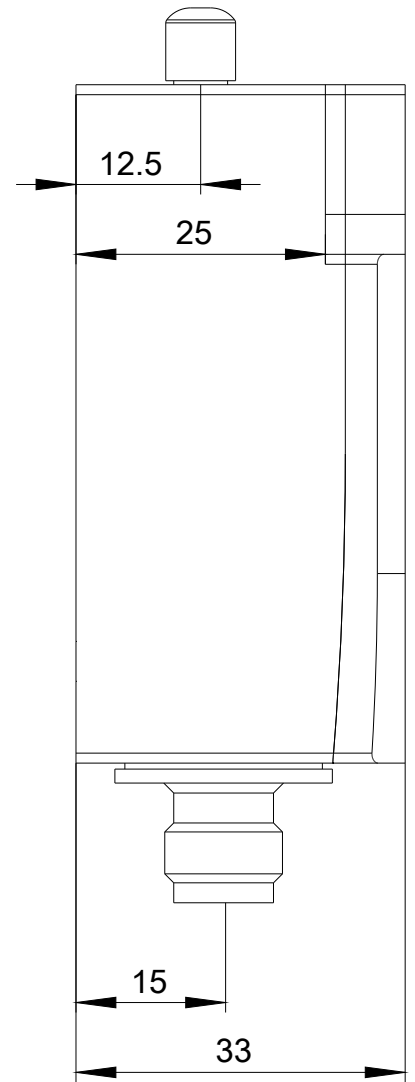
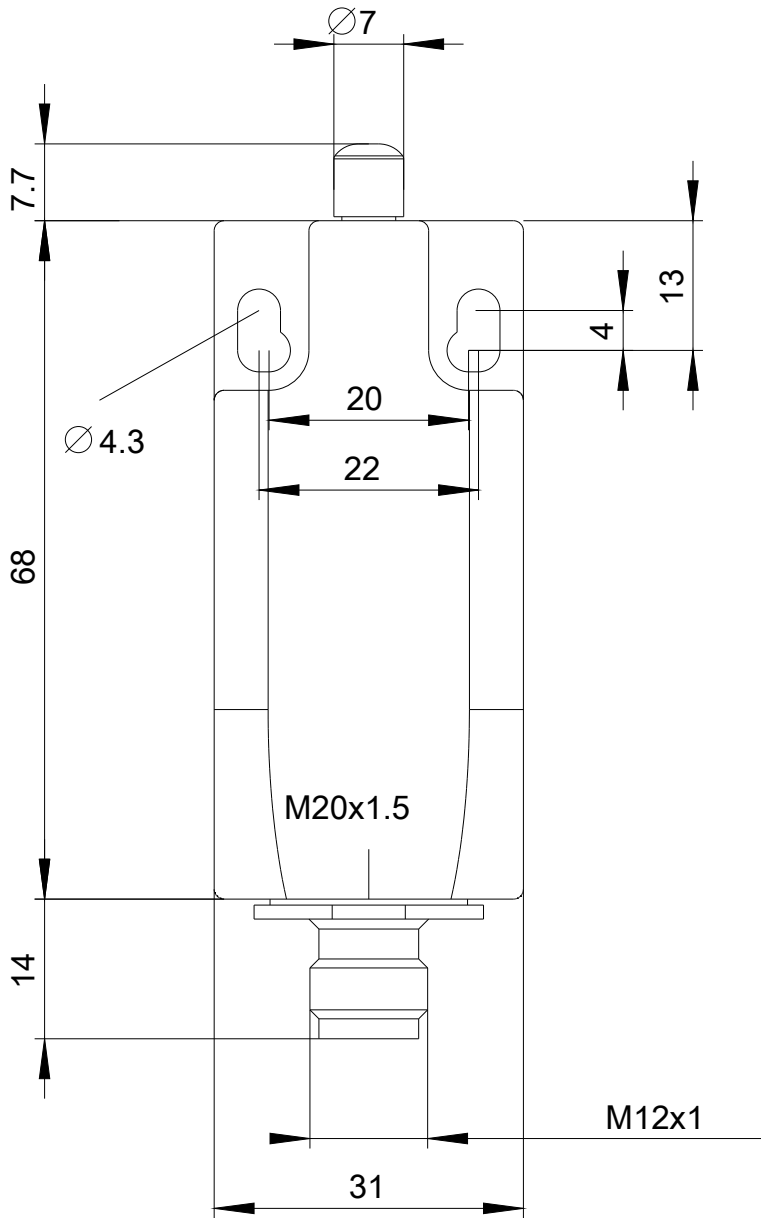
<http://support.automation.siemens.com/WW/CAXorder/default.aspx?lang=en&mlfb=3SE5234-0KC05-1AE0>

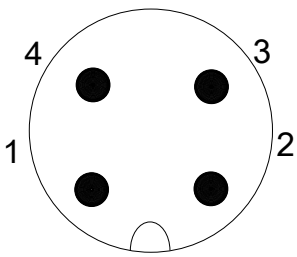
### Service&Support (Manuals, Certificates, Characteristics, FAQs,...)

<https://support.industry.siemens.com/cs/ww/en/ps/3SE5234-0KC05-1AE0>

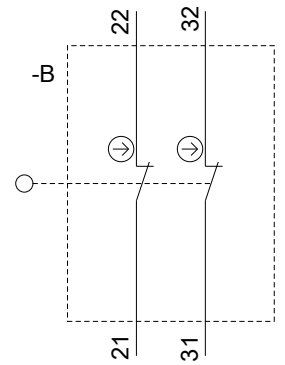
### Image database (product images, 2D dimension drawings, 3D models, device circuit diagrams, EPLAN macros, ...)

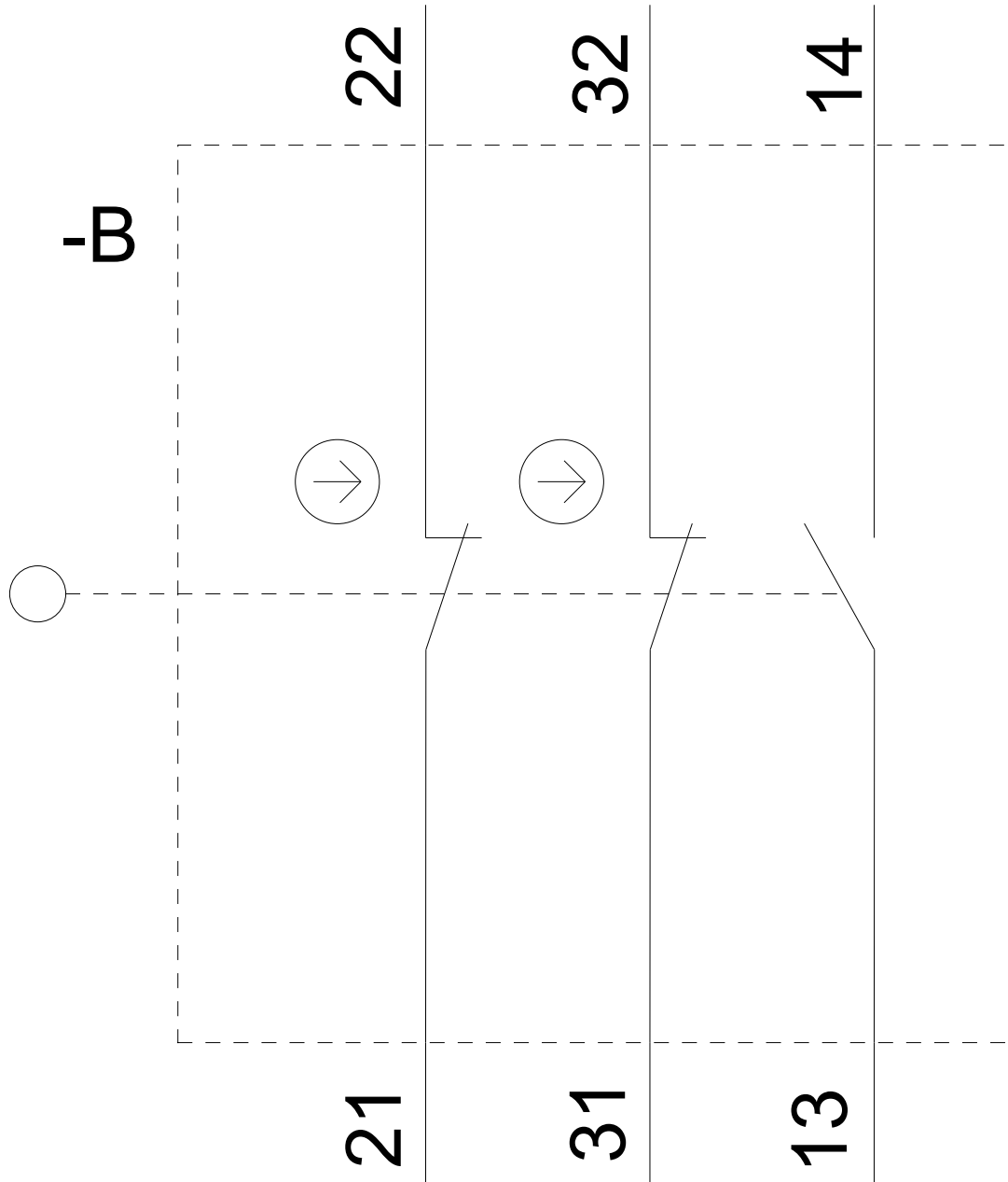
[http://www.automation.siemens.com/bilddb/cax\\_de.aspx?mlfb=3SE5234-0KC05-1AE0&lang=en](http://www.automation.siemens.com/bilddb/cax_de.aspx?mlfb=3SE5234-0KC05-1AE0&lang=en)

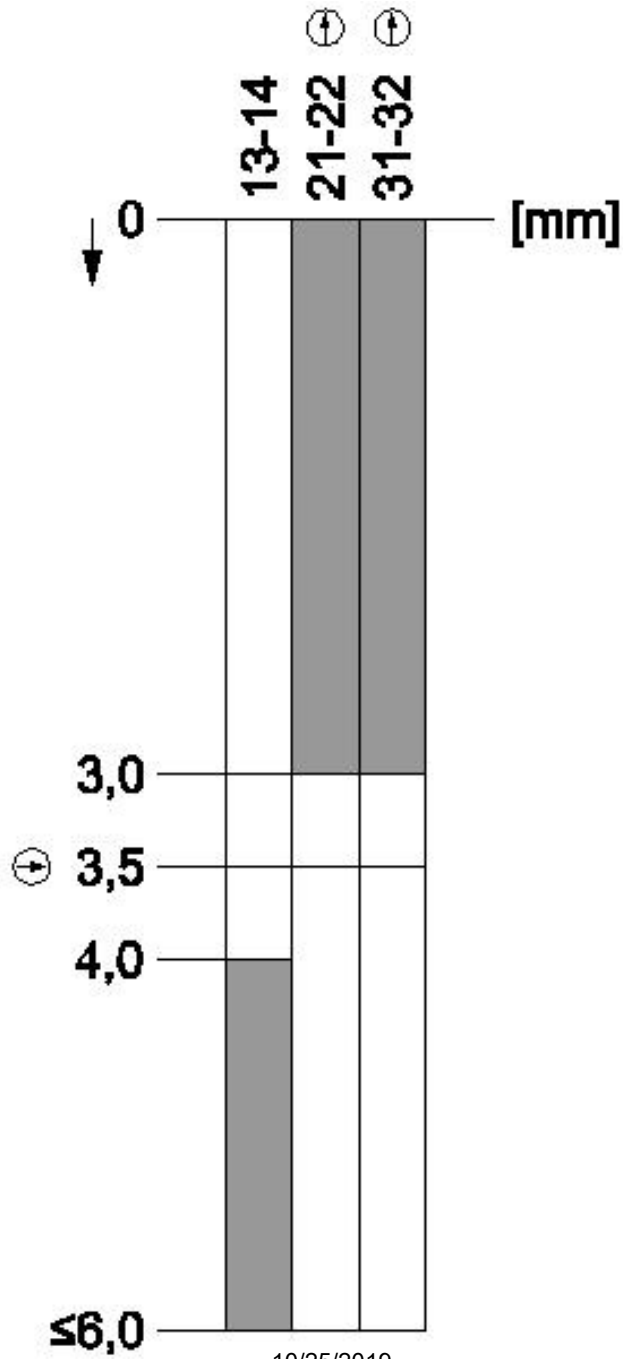




1	BN = Brown	→	21
2	WH = White	→	22
3	BU = Blue	→	31
4	BK = Black	→	32







last modified:

10/25/2019