





operating unit w. Bowden cable Max Flex operator handle single steel, epoxy sheathed NEMA 1/3R/12; black=OFF, black=ON

Model	
product brand name	SETRON
product designation	Bowden wire actuator
accessories	Bowden cable operator
General technical data	
degree of protection NEMA rating	1, 3R, 12
Certificates	
General Product Approval	



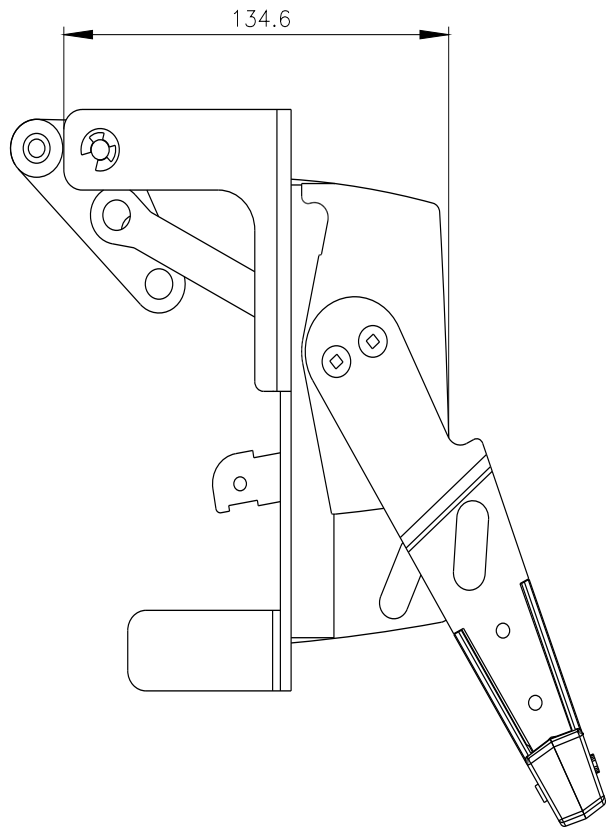
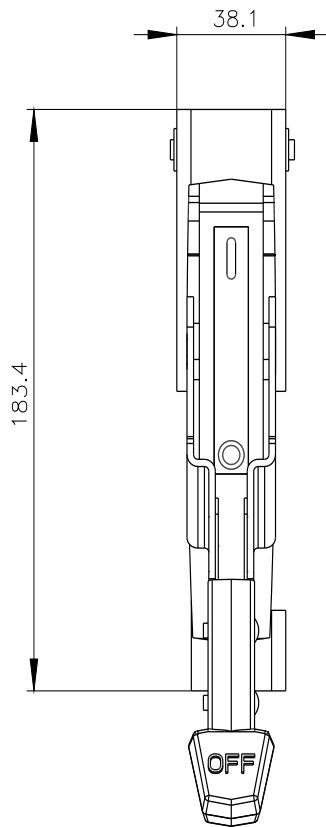
[Miscellaneous](#)



EMV	Marine / Shipping	other	Environment		
		<a href="#">Confirmation</a>	<a href="#">Miscellaneous</a>	<a href="#">Miscellaneous</a>	<a href="#">Environmental Confirmations</a>

Environment
<a href="#">Environmental Confirmations</a>

Further information
<p>Information on the packaging  <a href="https://support.industry.siemens.com/cs/ww/en/view/109813875">https://support.industry.siemens.com/cs/ww/en/view/109813875</a></p> <p>Information- and Downloadcenter (Catalogs, Brochures,...)  <a href="http://www.siemens.com/lowvoltage/catalogs">http://www.siemens.com/lowvoltage/catalogs</a></p> <p>Industry Mall (Online ordering system)  <a href="https://mall.industry.siemens.com/mall/en/en/Catalog/product?mlfb=3VA9978-0CH74">https://mall.industry.siemens.com/mall/en/en/Catalog/product?mlfb=3VA9978-0CH74</a></p> <p>Service&amp;Support (Manuals, Certificates, Characteristics, FAQs,...)  <a href="https://support.industry.siemens.com/cs/ww/en/ps/3VA9978-0CH74">https://support.industry.siemens.com/cs/ww/en/ps/3VA9978-0CH74</a></p> <p>Image database (product images, 2D dimension drawings, 3D models, device circuit diagrams, ...)  <a href="http://www.automation.siemens.com/bilddb/cax_en.aspx?mlfb=3VA9978-0CH74">http://www.automation.siemens.com/bilddb/cax_en.aspx?mlfb=3VA9978-0CH74</a></p> <p>CAX-Online-Generator  <a href="http://www.siemens.com/cax">http://www.siemens.com/cax</a></p> <p>Tender specifications  <a href="http://www.siemens.com/specifications">http://www.siemens.com/specifications</a></p>



---

last modified:

5/26/2024 

