

INDICATOR LIGHT, 22MM, ROUND, METAL, YELLOW, LENS, CONCENTRIC RINGS, WITH HOLDER, LAMPHOLDER, WITH INTEGRATED LED AC 110V, SCREW CONNECTION



Figure similar

Design of the product	Complete unit round
Enclosure	
Shape of the enclosure front	round
Material of the enclosure	metal
Number of command points	0
Actuator	
Design of the operating mechanism	indicator light
Product extension optional Light source	Yes
Color	
• of the actuating element	Yellow
Shape of the actuating element	Concentric rings
Type of unlocking device	without
Number of switching positions	0
Front ring	
Product component front ring	No
Holder	

Material of the holder	Metal
Contact block/ lampholder	
Mounting type	integrated LED
Number of lampholders	1
Number of switching elements	0
General technical data	
Product function	No
<ul style="list-style-type: none"> • positive opening 	
Product component	Yes
<ul style="list-style-type: none"> • Light source 	
Protection class IP	IP67
Vibration resistance	20 ... 200 Hz: 5g
<ul style="list-style-type: none"> • acc. to IEC 60068-2-6 	
Equipment marking	H
<ul style="list-style-type: none"> • acc. to DIN 40719 extended according to IEC 204-2 acc. to IEC 750 	
<ul style="list-style-type: none"> • acc. to DIN EN 61346-2 	P
<ul style="list-style-type: none"> • acc. to DIN EN 81346-2 	P
Supply voltage	
Type of voltage of the supply voltage	AC
<ul style="list-style-type: none"> • of the light source 	
Supply voltage 1 of the light source at AC	110 V
<ul style="list-style-type: none"> • at 50 Hz rated value 	
<ul style="list-style-type: none"> • at 60 Hz rated value 	110 V
Relative negative tolerance of the supply voltage	-15 %
Relative positive tolerance of the supply voltage	10 %
Auxiliary circuit	
Number of NC contacts	0
<ul style="list-style-type: none"> • for auxiliary contacts 	
Number of NO contacts	0
<ul style="list-style-type: none"> • for auxiliary contacts 	
Number of CO contacts	0
<ul style="list-style-type: none"> • for auxiliary contacts 	
Consumed current for rated value of supply voltage maximum	15 mA
Connections/Terminals	
Type of electrical connection	screw-type terminals
Tightening torque of the screws in the bracket	1.4 ... 1.6 N·m
Ambient conditions	
Ambient temperature	

- during operation -25 ... +70 °C
- during storage -40 ... +80 °C

Environmental category during operation acc. to IEC 60721

3K6

Installation/ mounting/ dimensions

Mounting type	front mounting
Shape of the installation opening	round
Mounting diameter	22 mm
Mounting height	11 mm
Installation width	28 mm
Installation depth	49 mm

Accessories

Product component holder for 3 switching elements No

Certificates/approvals

General Product Approval			Declaration of Conformity	Test Certificates
 CCC	 CSA	 UL		 EG-Konf.
				spezielle Prüfbescheinigungen n

Shipping Approval					other
 ABS	 DNV	 LRS	 PRS	 RINA	Bestätigungen

other
sonstig Umweltbestätigung

Further information

Information- and Downloadcenter (Catalogs, Brochures,...)

<http://www.siemens.com/industrial-controls/catalogs>

Industry Mall (Online ordering system)

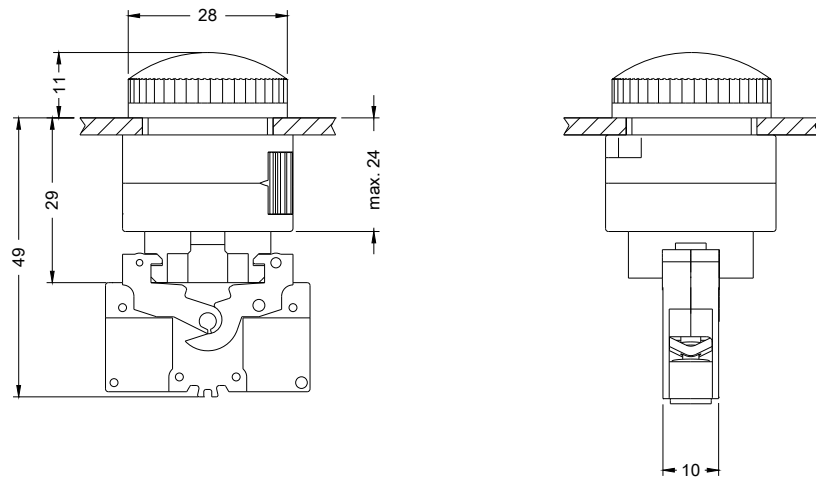
<https://mall.industry.siemens.com/mall/en/en/Catalog/product?mlfb=3SB3648-6BA30>

Cax online generator

<http://support.automation.siemens.com/WW/CAXorder/default.aspx?lang=en&mlfb=3SB3648-6BA30>

Service&Support (Manuals, Certificates, Characteristics, FAQs,...)

<https://support.industry.siemens.com/cs/ww/en/ps/3SB3648-6BA30>



last modified:

12/19/2016