



circuit breaker 3VA6 UL Frame 800 breaking capacity class C 100 kA @ 480 V 4-pole, line protection ETU550, LSI, $I_n=600$ A overload protection $I_r=240$ A ...600 A short-circuit protection $I_{sd}=0.6..12 \times I_n$, $I_i=1.5..12 \times I_n$ neutral conductor protection adjustable (OFF, up to 130%) nut keeper kit

| Model | |
|--|-----------------------------|
| product brand name | SENTRON |
| product designation | Molded-case circuit breaker |
| product designation / according to UL file | CMAE |
| design of the product | System protection |
| design of the load switch / according to UL 489 / Heating, Air Conditioning, and Refrigeration circuit breaker (HACR Type) | Yes |
| design of the overcurrent release | ETU550 |
| protection function of the overcurrent release | LSI |
| number of poles | 4 |
| General technical data | |
| insulation voltage / rated value | 800 V |
| operating voltage / at AC / rated value | 690 V |
| power loss [W] / maximum | 151 W |
| power loss [W] / for rated value of the current / at AC / in hot operating state / per pole | 50.33 W |
| mechanical service life (operating cycles) / typical | 10 000 |
| electrical endurance (operating cycles) / at AC-1 / at 380/415 V | 5 100 |
| electrical endurance (operating cycles) / at AC-1 / at 690 V | 3 500 |
| electrical endurance (operating cycles) / at 480 V | 5 100 |
| electrical endurance (operating cycles) / at 600 V | 3 500 |
| product feature / for neutral conductors / upgradable/retrofitable / short-circuit and overload proof | No |
| ground-fault monitoring version | without |
| product function | |
| • communication function | Yes |
| • other measurement function | No |
| Net Weight | 16.32 kg |
| Current | |
| marking / according to UL 489 / 100%-rated breaker | No |
| operational current | |
| • at 40 °C | 600 A |
| • at 45 °C | 600 A |
| • at 50 °C | 600 A |
| • at 55 °C | 600 A |
| • at 60 °C | 600 A |
| • at 65 °C | 555 A |
| • at 70 °C | 510 A |
| Switching capacity according to IEC 60947 | |
| switching capacity class of the circuit breaker | C |
| maximum short-circuit current breaking capacity (I _{cu}) | |

| | |
|--|---------------------------|
| <ul style="list-style-type: none"> • at 240 V • at 415 V • at 690 V | 200 kA 110 kA 35 kA |
| operating short-circuit current breaking capacity (Ics) <ul style="list-style-type: none"> • at 240 V • at 415 V • at 690 V | 150 kA 85 kA 19 kA |
| short-circuit current making capacity (Icm) <ul style="list-style-type: none"> • at 240 V • at 415 V • at 690 V | 440 kA 242 kA 74 kA |

Switching capacity according to UL 489

| | |
|--|---------------------------|
| current breaking capacity <ul style="list-style-type: none"> • at 240 V • at 480 V • at 600 V | 200 kA 100 kA 50 kA |
|--|---------------------------|

Adjustable parameters

| | |
|---|-----------------------------|
| adjustable response value setting current (I _r) / of the L-trip / with I ₂ t characteristic <ul style="list-style-type: none"> • minimum • maximum | 250 A 600 A |
| adjustable response value delay time (t _r) / for L-tripping / with I ₂ t characteristic <ul style="list-style-type: none"> • minimum • maximum | 0.5 s 25 s |
| adjustable response value setting current (I _{sd}) / of S-trip / with I ₀ t characteristic <ul style="list-style-type: none"> • minimum • maximum | 360 A 7 200 A |
| adjustable response value setting current (I _{sd}) / of S-trip / with I ₂ t characteristic <ul style="list-style-type: none"> • minimum • maximum | 360 A 7 200 A |
| adjustable response value delay time (t _{sd}) / for S-tripping / with I ₀ t characteristic <ul style="list-style-type: none"> • minimum • maximum | 0.05 s 0.5 s |
| adjustable response value delay time (t _{sd}) / for S-tripping / with I ₂ t characteristic <ul style="list-style-type: none"> • minimum • maximum | 0.05 s 0.5 s |
| adjustable response value setting current (I _i) / for I-tripping <ul style="list-style-type: none"> • minimum • maximum | 900 A 7 200 A |
| adjustable setting current (I _n) / for N-tripping <ul style="list-style-type: none"> • minimum • maximum | 120 A 800 A |
| design of the N-conductor protection | adjustable OFF; 20% to 130% |
| product function / grounding protection | No |

Mechanical Design

| | |
|---|----------------|
| product component <ul style="list-style-type: none"> • undervoltage release • voltage trigger • trip indicator | No No No |
| height [in] | 12.91 in |
| height | 328 mm |
| width [in] | 11.02 in |
| width | 280 mm |
| depth [in] | 4.72 in |
| depth | 120 mm |

Connections

| | |
|---|------------------|
| arrangement of electrical connectors / for main current circuit | Front connection |
|---|------------------|

| | |
|---|-----------------------------|
| type of electrical connection / for main current circuit | nut keeper kit on both ends |
| type of connectable conductor cross-sections / for flat-bar terminal connection / minimum | 20 x 4 mm |
| type of connectable conductor cross-sections / for flat-bar terminal connection / maximum | 50 x 28 mm |

Auxiliary circuit

| | |
|--|---|
| number of CO contacts / for auxiliary contacts | 0 |
|--|---|

Accessories

| | |
|--|----|
| product extension / optional / motor drive | No |
|--|----|

Environmental conditions

| | |
|---|--------|
| protection class IP / on the front | IP40 |
| ambient temperature | |
| • during operation / minimum | -25 °C |
| • during operation / maximum | 70 °C |
| • during storage / minimum | -40 °C |
| • during storage / maximum | 80 °C |
| reference code / according to IEC 81346-2 | Q |

Approvals / Certificates

General Product Approval



[Confirmation](#)



General Product Approval

EMV

Test Certificates



[Miscellaneous](#)



[Type Test Certificates/Test Report](#)

Marine / Shipping

other



[Confirmation](#)

other

Dangerous goods

Environment

[Miscellaneous](#)

[Miscellaneous](#)

[Transport Information](#)

[Environmental Confirmations](#)

Further information

Information on the packaging

<https://support.industry.siemens.com/cs/ww/en/view/109813875>

Information- and Downloadcenter (Catalogs, Brochures,...)

<http://www.siemens.com/lowvoltage/catalogs>

Industry Mall (Online ordering system)

<https://mall.industry.siemens.com/mall/en/en/Catalog/product?mlfb=3VA6560-7JP42-0AA0>

Service&Support (Manuals, Certificates, Characteristics, FAQs,...)

<https://support.industry.siemens.com/cs/ww/en/ps/3VA6560-7JP42-0AA0>

Image database (product images, 2D dimension drawings, 3D models, device circuit diagrams, ...)

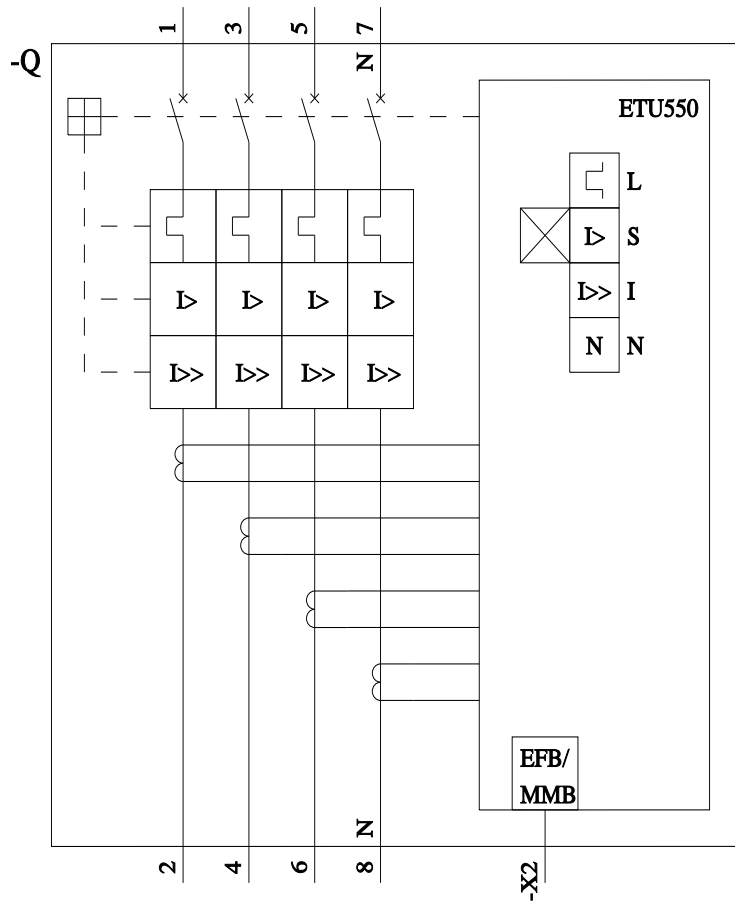
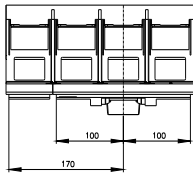
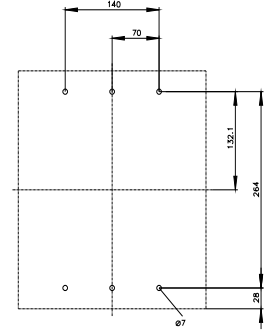
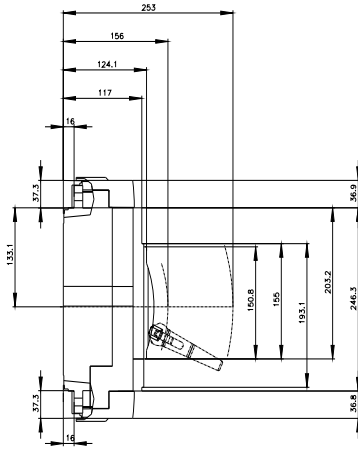
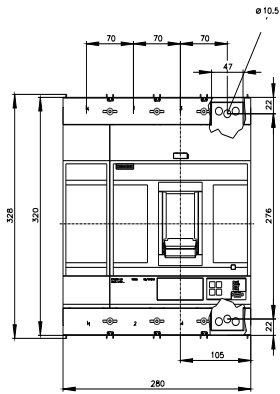
http://www.automation.siemens.com/bilddb/cax_en.aspx?mlfb=3VA6560-7JP42-0AA0

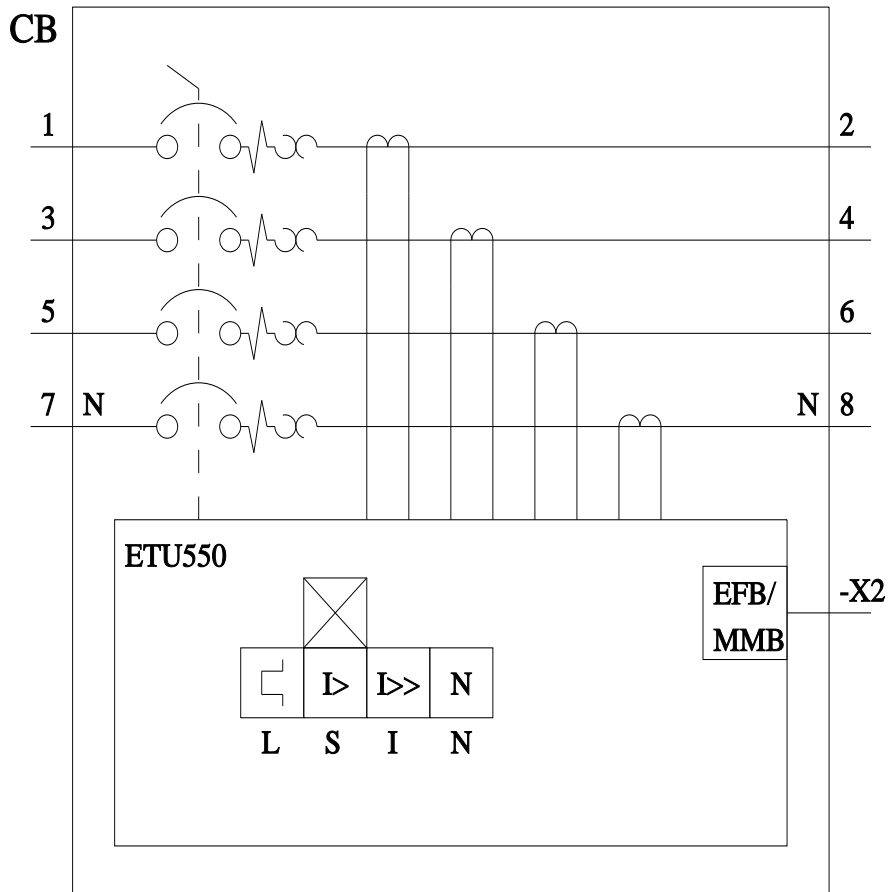
CAX-Online-Generator

<http://www.siemens.com/cax>

Tender specifications

<http://www.siemens.com/specifications>





last modified:

3/11/2024

