

Key-operated switch BKS, 22 mm, round, metal, shiny, Lock No. E2 (VW), without key, 2 switch positions O-I, latching, actuating angle 90°, 10:30h/13:30h, Key removal O



|                          |                             |
|--------------------------|-----------------------------|
| Product brand name       | SIRIUS ACT                  |
| Product designation      | Key-operated switches       |
| Design of the product    | Actuating/signaling element |
| Product type designation | 3SU1                        |

| Actuator                                    |                                 |
|---|---------------------------------|
| Manner of function of the actuating element | latching, 90° (10:30 h/13:30 h) |
| Product extension optional Light source     | No                              |
| Color                                       |                                 |
| • of the actuating element                  | silver                          |
| Material of the actuating element           | metal                           |
| Shape of the actuating element              | Key                             |
| Outer diameter of the actuating element     | 29.5 mm                         |
| Number of switching positions               | 2                               |
| Switch position for key distraction         | O                               |
| Actuating angle                             |                                 |
| • clockwise                                 | 90°                             |
| Lock make                                   | BCS                             |
| Key number                                  | E2                              |

| Front ring |  |
|------------|--|
|------------|--|

|                              |                   |
|------------------------------|-------------------|
| Product component front ring | Yes               |
| Design of the front ring     | Standard          |
| Material of the front ring   | Metal, high gloss |
| Color of the front ring      | silver            |

#### General technical data

|  |                                   |
|--|-----------------------------------|
| Protection class IP  | IP66, IP67, IP69(IP69K)           |
| <ul style="list-style-type: none"> <li>• of the terminal</li> </ul>        | IP20                              |
| Degree of protection NEMA rating   | NEMA 1, 2, 3, 3R, 4, 4X, 12, 13   |
| Shock resistance   |                                   |
| <ul style="list-style-type: none"> <li>• acc. to IEC 60068-2-27</li> </ul> | Sinusoidal half-wave 50 g / 11 ms |
| Vibration resistance   |                                   |
| <ul style="list-style-type: none"> <li>• acc. to IEC 60068-2-6</li> </ul>  | 10 ... 500 Hz: 5g                 |
| Operating frequency maximum  | 1 800 1/h                         |
| Mechanical service life (switching cycles)                                 |                                   |
| <ul style="list-style-type: none"> <li>• typical</li> </ul>                | 300 000                           |
| Reference code acc. to DIN EN 81346-2                                      | S                                 |
| Reference code acc. to DIN EN 61346-2                                      | S                                 |

#### Ambient conditions

|  |   |
|--|---|
| Ambient temperature  |   |
| <ul style="list-style-type: none"> <li>• during operation</li> </ul> | -25 ... +70 °C  |
| <ul style="list-style-type: none"> <li>• during storage</li> </ul>   | -40 ... +80 °C  |
| Environmental category during operation acc. to IEC 60721            | 3M6, 3S2, 3B2, 3C3, 3K6 (with relative air humidity of 10 ... 95 %) |

#### Installation/ mounting/ dimensions

|   |         |
|---|---------|
| Height                                      | 29.5 mm |
| Width                                       | 29.5 mm |
| Shape of the installation opening           | round   |
| Mounting diameter                           | 22.3 mm |
| Positive tolerance of installation diameter | 0.4 mm  |
| Mounting height                             | 56.3 mm |
| Installation width                          | 29.5 mm |
| Installation depth                          | 25.4 mm |

#### Certificates/ approvals

| General Product Approval | Declaration of Conformity | Test Certificates |
|--------------------------|---------------------------|-------------------|
|--------------------------|---------------------------|-------------------|



CSA



UL



EG-Konf.

[Miscellaneous](#)

[Type Test Certificates/Test Report](#)

**Marine / Shipping**



ABS



LRS



PRS



RINA



RMRS



DNV-GL  
DNVGL.COM/AF

**other**

[Confirmation](#)

**Further information**

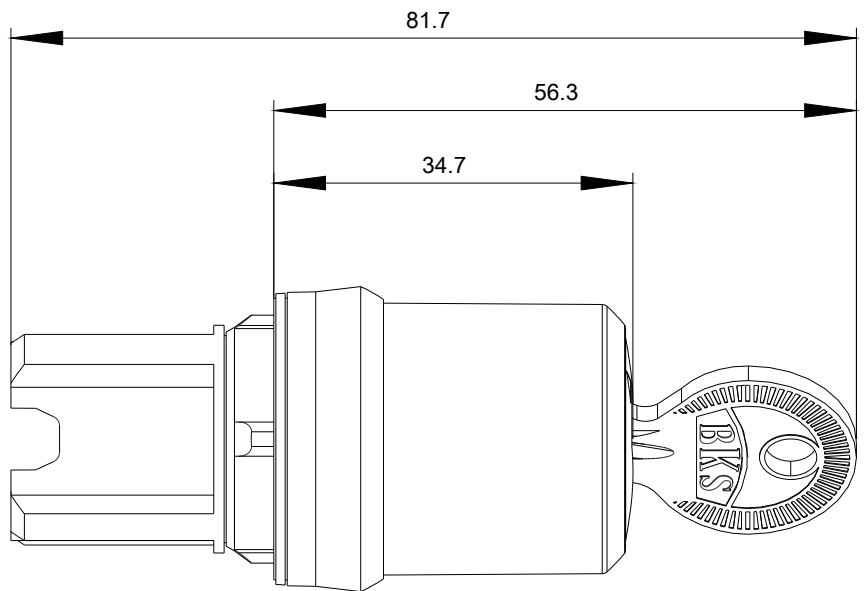
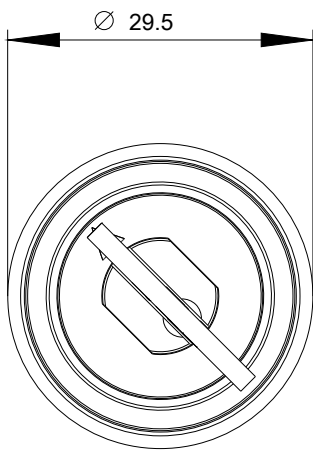
**Information- and Downloadcenter (Catalogs, Brochures,...)**  
[www.siemens.com/sirius/catalogs](http://www.siemens.com/sirius/catalogs)

**Industry Mall (Online ordering system)**  
<https://mall.industry.siemens.com/mall/en/en/Catalog/product?mlfb=3SU1050-5RF01-0AA0>

**Cax online generator**  
<http://support.automation.siemens.com/WW/CAXorder/default.aspx?lang=en&mlfb=3SU1050-5RF01-0AA0>

**Service&Support (Manuals, Certificates, Characteristics, FAQs,...)**  
<https://support.industry.siemens.com/cs/ww/en/ps/3SU1050-5RF01-0AA0>

**Image database (product images, 2D dimension drawings, 3D models, device circuit diagrams, EPLAN macros, ...)**  
[http://www.automation.siemens.com/bilddb/cax\\_de.aspx?mlfb=3SU1050-5RF01-0AA0&lang=en](http://www.automation.siemens.com/bilddb/cax_de.aspx?mlfb=3SU1050-5RF01-0AA0&lang=en)



last modified:

11/13/2019